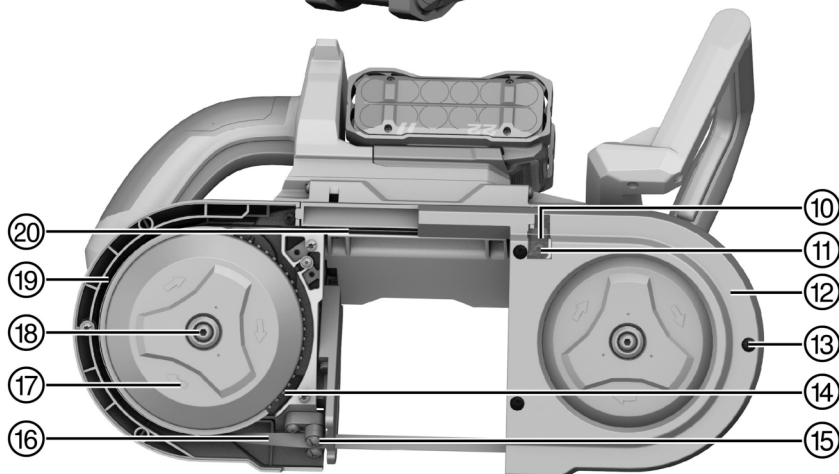
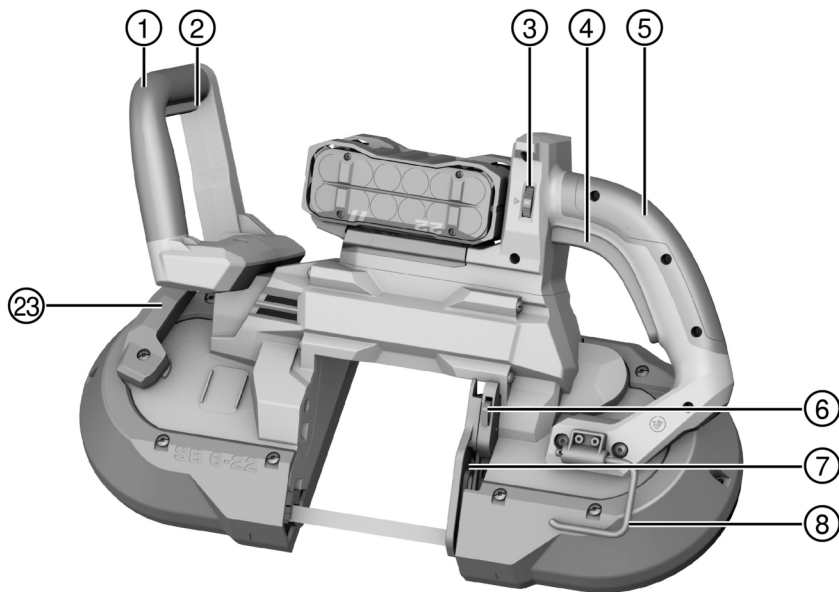


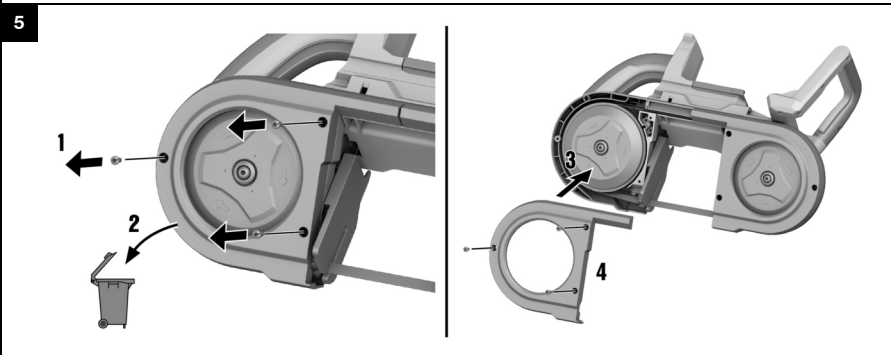
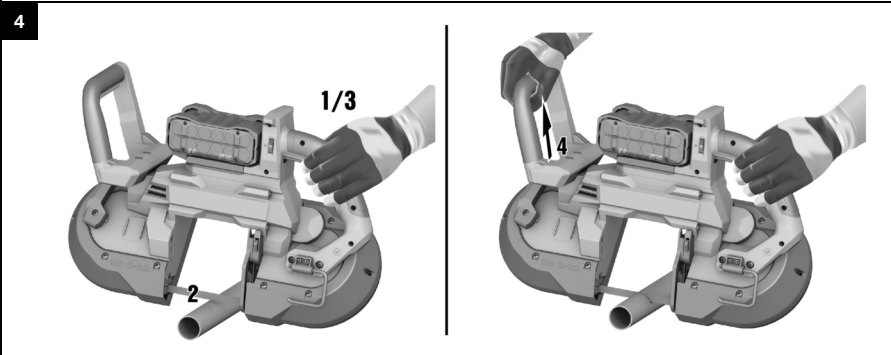
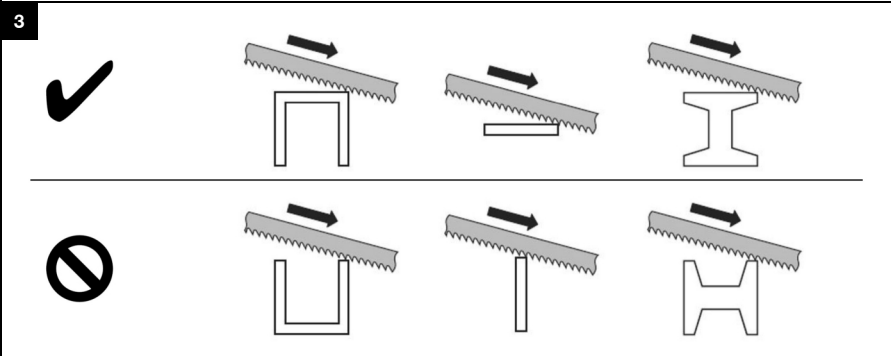
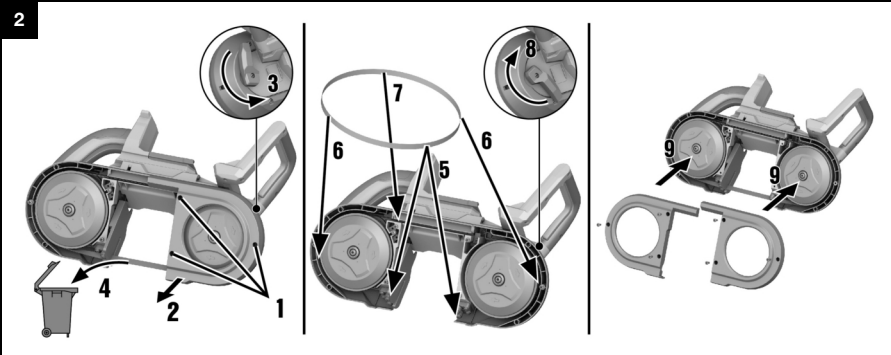


SB 6-22

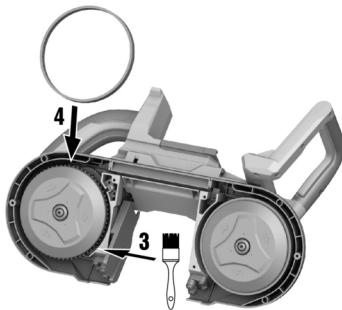
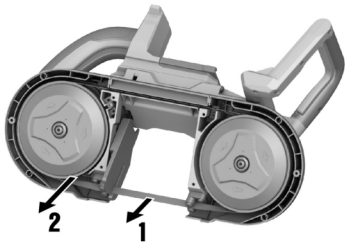
NURON

English	1
Français	14
Español	28
Português	43
Dansk	57
Svenska	71
Norsk	85
Suomi	98
Eesti	112
Latviešu	126
Lietuvių	140
Русский	154
Қазақ	170
عربي	186
日本語	201
한국어	214
繁體中文	228
中文	240

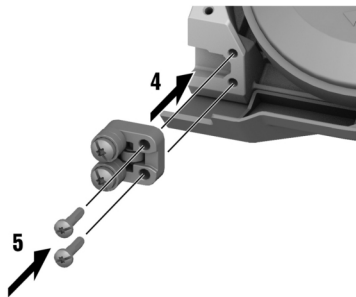
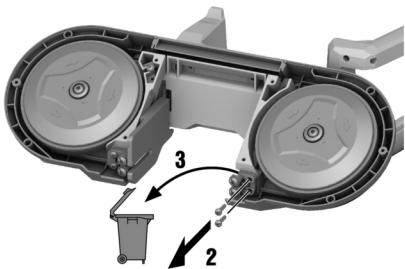




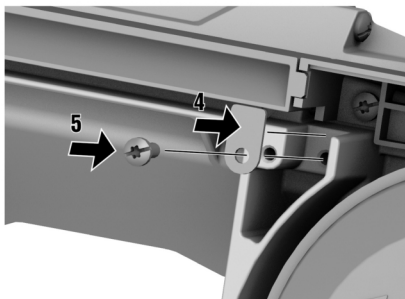
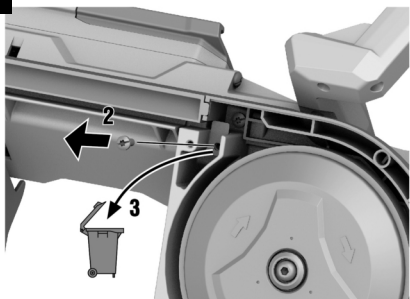
6



7



8



# SB 6-22

en	Original operating instructions	1
fr	Mode d'emploi original	14
es	Manual de instrucciones original	28
pt	Manual de instruções original	43
da	Original brugsanvisning	57
sv	Originalbruksanvisning	71
no	Original bruksanvisning	85
fi	Alkuperäiset ohjeet	98
et	Originaalkasutusjuhend	112
lv	Orģinālā lietošanas instrukcija	126
lt	Originali naudojimo instrukcija	140
ru	Перевод оригинального руководства по эксплуатации	154
kk	Түпнұсқа пайдалану бойынша нұсқаулық	170
ar	دليل الاستعمال الأصلي	186
ja	オリジナル取扱説明書	201
ko	오리지널 사용 설명서	214
zh	原始操作說明	228
cn	原版操作说明译文	240



# Original operating instructions

## 1 Information about the operating instructions

### 1.1 About these operating instructions

- Read these operating instructions before the product is used or operated for the first time. This is a prerequisite for safe, trouble-free handling and use of the product.
- Observe the safety instructions and warnings in these operating instructions and on the product.
- Always keep the operating instructions with the product and make sure that the product is accompanied by these operating instructions only, when the product is given to other persons.

### 1.2 Explanation of symbols

#### 1.2.1 Warnings

Warnings alert persons to hazards that occur when handling or using the product. The following signal words are used:

#### DANGER

##### DANGER !

- ▶ Draws attention to imminent danger that will lead to serious personal injury or fatality.

#### WARNING

##### WARNING !

- ▶ Draws attention to a potential threat of danger that can lead to serious injury or fatality.

#### CAUTION

##### CAUTION !

- ▶ Draws attention to a potentially dangerous situation that could lead to personal injury or damage to the equipment or other property.

#### 1.2.2 Symbols in the operating instructions

The following symbols are used in these operating instructions:

	Comply with the operating instructions
	Instructions for use and other useful information
	Dealing with recyclable materials
	Do not dispose of electric equipment and batteries as household waste
	<b>Hilti</b> Li-ion battery
	<b>Hilti</b> charger

#### 1.2.3 Symbols in illustrations

The following symbols are used in illustrations:

<b>2</b>	These numbers refer to the illustrations at the beginning of these operating instructions.
3	The numbering reflects the sequence of operations shown in the illustrations and may deviate from the steps described in the text.
11	Item reference numbers are used in the <b>overview illustration</b> and refer to the numbers used in the key in the <b>product overview</b> section.
	These characters are intended to specifically draw your attention to certain points when handling the product.



### 1.3 Product-dependent symbols

#### 1.3.1 Symbols on the product

The following symbols can be used on the product:

	Direct current (DC)
	Direction-of-rotation arrow
	The product supports near-field communication (NFC) technology compatible with iOS and Android platforms.
Li-ion	Li-ion battery
	Never strike the battery with an object and never use the battery as a striking tool.
	Do not drop the battery. Never use a battery that has suffered an impact or is damaged in any other way.

### 1.4 Product information

products are designed for professional users and only trained, authorized personnel are permitted to operate, service and maintain the products. This personnel must be specifically informed about the possible hazards. The product and its ancillary equipment can present hazards if used incorrectly by untrained personnel or if used not in accordance with the intended use.

The type designation and serial number are printed on the rating plate.

- ▶ Write down the serial number in the table below. You will be required to state the product details when contacting Hilti Service or your local Hilti organization to inquire about the product.

#### Product information

Cordless bandsaw	SB 6-22
Generation	01
Serial no.	

### 1.5 Declaration of conformity

The manufacturer declares, on his sole responsibility, that the product described here complies with the applicable legislation and standards. A copy of the declaration of conformity can be found at the end of this documentation.

The technical documentation is filed here:

Hilti Entwicklungsgesellschaft mbH | Tool Certification | Hiltistrasse 6 | D-86916 Kaufering, Germany

## 2 Safety

### 2.1 General power tool safety warnings

**⚠ WARNING** Read all safety warnings, instructions, illustrations and specifications provided with this power tool. Failure to follow all instructions listed below may result in electric shock, fire and/or serious injury. **Save all warnings and instructions for future reference.**

The term "power tool" in the warnings refers to your mains-operated (corded) power tool or battery-operated (cordless) power tool.

#### Work area safety

- ▶ **Keep work area clean and well lit.** Cluttered or dark areas invite accidents.
- ▶ **Do not operate power tools in explosive atmospheres, such as in the presence of flammable liquids, gases or dust.** Power tools create sparks which may ignite the dust or fumes.
- ▶ **Keep children and bystanders away while operating a power tool.** Distractions can cause you to lose control.

#### Electrical safety

- ▶ **Power tool plugs must match the outlet. Never modify the plug in any way. Do not use any adapter plugs with earthed (grounded) power tools.** Unmodified plugs and matching outlets will reduce risk of electric shock.





- ▶ **Avoid body contact with earthed or grounded surfaces, such as pipes, radiators, ranges and refrigerators.** There is an increased risk of electric shock if your body is earthed or grounded.
- ▶ **Do not expose power tools to rain or wet conditions.** Water entering a power tool will increase the risk of electric shock.
- ▶ **Do not abuse the cord. Never use the cord for carrying, pulling or unplugging the power tool. Keep cord away from heat, oil, sharp edges or moving parts.** Damaged or entangled cords increase the risk of electric shock.
- ▶ **When operating a power tool outdoors, use an extension cord suitable for outdoor use.** Use of a cord suitable for outdoor use reduces the risk of electric shock.
- ▶ **If operating a power tool in a damp location is unavoidable, use a residual current device (RCD) protected supply.** Use of an RCD reduces the risk of electric shock.

#### Personal safety

- ▶ **Stay alert, watch what you are doing and use common sense when operating a power tool. Do not use a power tool while you are tired or under the influence of drugs, alcohol or medication.** A moment of inattention while operating power tools may result in serious personal injury.
- ▶ **Use personal protective equipment. Always wear eye protection.** Protective equipment such as a dust mask, non-skid safety shoes, hard hat or hearing protection used for appropriate conditions will reduce personal injuries.
- ▶ **Prevent unintentional starting. Ensure the switch is in the off-position before connecting to power source and/or battery pack, picking up or carrying the tool.** Carrying power tools with your finger on the switch or energising power tools that have the switch on invites accidents.
- ▶ **Remove any adjusting key or wrench before turning the power tool on.** A wrench or a key left attached to a rotating part of the power tool may result in personal injury.
- ▶ **Do not overreach. Keep proper footing and balance at all times.** This enables better control of the power tool in unexpected situations.
- ▶ **Dress properly. Do not wear loose clothing or jewellery. Keep your hair and clothing away from moving parts.** Loose clothes, jewellery or long hair can be caught in moving parts.
- ▶ **If devices are provided for the connection of dust extraction and collection facilities, ensure these are connected and properly used.** Use of dust collection can reduce dust-related hazards.
- ▶ **Do not let familiarity gained from frequent use of tools allow you to become complacent and ignore tool safety principles.** A careless action can cause severe injury within a fraction of a second.

#### Power tool use and care

- ▶ **Do not force the power tool. Use the correct power tool for your application.** The correct power tool will do the job better and safer at the rate for which it was designed.
- ▶ **Do not use the power tool if the switch does not turn it on and off.** Any power tool that cannot be controlled with the switch is dangerous and must be repaired.
- ▶ **Disconnect the plug from the power source and/or remove the battery pack, if detachable, from the power tool before making any adjustments, changing accessories, or storing power tools.** Such preventive safety measures reduce the risk of starting the power tool accidentally.
- ▶ **Store idle power tools out of the reach of children and do not allow persons unfamiliar with the power tool or these instructions to operate the power tool.** Power tools are dangerous in the hands of untrained users.
- ▶ **Maintain power tools and accessories. Check for misalignment or binding of moving parts, breakage of parts and any other condition that may affect the power tool's operation. If damaged, have the power tool repaired before use.** Many accidents are caused by poorly maintained power tools.
- ▶ **Keep cutting tools sharp and clean.** Properly maintained cutting tools with sharp cutting edges are less likely to bind and are easier to control.
- ▶ **Use the power tool, accessories and tool bits etc. in accordance with these instructions, taking into account the working conditions and the work to be performed.** Use of the power tool for operations different from those intended could result in a hazardous situation.
- ▶ **Keep handles and grasping surfaces dry, clean and free from oil and grease.** Slippery handles and grasping surfaces do not allow for safe handling and control of the tool in unexpected situations.

#### Battery tool use and care

- ▶ **Recharge only with the charger specified by the manufacturer.** A charger that is suitable for one type of battery pack may create a risk of fire when used with another battery pack.
- ▶ **Use power tools only with specifically designated battery packs.** Use of any other battery packs may create a risk of injury and fire.



- ▶ **When battery pack is not in use, keep it away from other metal objects, like paper clips, coins, keys, nails, screws or other small metal objects, that can make a connection from one terminal to another.** Shorting the battery terminals together may cause burns or a fire.
- ▶ **Under abusive conditions, liquid may be ejected from the battery; avoid contact. If contact accidentally occurs, flush with water. If liquid contacts eyes, additionally seek medical help.** Liquid ejected from the battery may cause irritation or burns.
- ▶ **Do not use a battery pack or tool that is damaged or modified.** Damaged or modified batteries may exhibit unpredictable behaviour resulting in fire, explosion or risk of injury.
- ▶ **Do not expose a battery pack or tool to fire or excessive temperature.** Exposure to fire or temperature above 130° C (265 °F) may cause explosion.
- ▶ **Follow all charging instructions and do not charge the battery pack or tool outside the temperature range specified in the instructions.** Charging improperly or at temperatures outside the specified range may damage the battery and increase the risk of fire.

### Service

- ▶ **Have your power tool serviced by a qualified repair person using only identical replacement parts.** This will ensure that the safety of the power tool is maintained.
- ▶ **Never service damaged battery packs.** Service of battery packs should only be performed by the manufacturer or authorized service providers.

## 2.2 Safety instructions for band saws

- ▶ **Hold power tool by insulated gripping surfaces, when performing an operation where the cutting accessory may contact hidden wiring.** Cutting accessories contacting a "live" wire may make exposed metal parts of the power tool "live" and could give the operator an electric shock.

## 2.3 Additional safety instructions

- ▶ Keep your hands away from the cutting area and the bandsaw blade. Keep your second hand on the grip with the safety switch. When both hands are on the saw they cannot be injured by the saw while it is in use.
- ▶ Use the product and accessories only when they are in perfect working order.
- ▶ Never tamper with or modify the product or accessories in any way.
- ▶ Switch the product on only after you have brought it to the working position.
- ▶ Do not touch rotating parts – risk of injury!
- ▶ Take care when lifting and/or carrying the product - the bandsaw blade is sharp and can cause cut injuries or damage to property.
- ▶ Wear eye protection, a hard hat and ear protection while the product is in use.
- ▶ Wear protective gloves when changing the accessory tool. Touching the accessory tool can result in cuts and burns.
- ▶ Dust produced by grinding, sanding, cutting and drilling can contain dangerous chemicals. Some examples are: lead or lead-based paints; brick, concrete and other masonry products, natural stone and other products containing silicates; certain types of wood, such as oak, beech and chemically treated wood; asbestos or materials that contain asbestos. Determine the exposure of the operator and bystanders by means of the hazard classification of the materials to be worked. Implement the necessary measures to restrict exposure to a safe level, for example by the use of a dust collection system or by the wearing of suitable respiratory protection. The general measures for reducing exposure include:
  - ▶ working in an area that is well ventilated,
  - ▶ avoidance of prolonged contact with dust,
  - ▶ directing dust away from the face and body,
  - ▶ wearing protective clothing and washing exposed areas of the skin with water and soap.
- ▶ To avoid injuries, use the bandsaw only with the bandsaw blade cover correctly installed.
- ▶ When ripping always use a fence or straight edge guide. This improves the accuracy of the cut and reduces the chance of the blade binding.
- ▶ Never hold the workpiece with your hand or other part of the body. Secure the workpiece in a sturdy holder. It is important to secure the workpiece firmly in order to minimize the risk of body contact, blade binding, and loss of control.
- ▶ Always hold the product firmly with both hands on the grips provided for the purpose and position your arms to absorb kickback forces.
- ▶ Keep the grips dry, clean and free from oil and grease.



- ▶ Position yourself off to one side of the blade, never bring the blade into line with your body. The saw can jump backward toward you if kickback occurs!
- ▶ Make sure you have a firm stance, especially for overhead work. A sudden break-through can affect your balance.
- ▶ When undertaking break-through work, secure the zone on both sides of the workpiece. Pieces of debris can fall and cause injuries.
- ▶ If the saw blade binds or when you interrupt work for any reason, switch off the saw and hold it motionless in the material until the saw blade comes to a complete stop. Never attempt to remove the saw from the workpiece or pull the saw back while the blade is in motion, as otherwise the saw could kick back.
- ▶ When restarting a saw in the workpiece, center the saw blade in the kerf and check that saw teeth are not in engagement with the workpiece.
- ▶ Use extra caution when sawing into walls or other blind areas. As it enters the material the blade might encounter a hidden obstruction, resulting in kickback.
- ▶ Take frequent breaks and do physical exercises to improve the blood circulation in your fingers. High vibration during long periods of work can lead to disorders of the blood vessels and nervous system in the fingers, hands and wrists.
- ▶ Do not look directly into the light source (LED) of the product and do not aim the beam at other persons' faces. Risk of dazzling or eye damage.
- ▶ Before starting the cut, check that the bandsaw blade is correctly installed. An incorrectly installed bandsaw blade can bind and cause a kickback.
- ▶ Risk of injury by falling tools and/or accessories. Before starting work, check that the battery and installed accessories are secure.

### Electrical safety

- ▶ Before beginning work, check the working area for concealed electric cables or gas and water pipes. External metal parts of the product could give you an electric shock or cause an explosion if you accidentally damage an electric cable or a gas or water pipe.
- ▶ When cutting through pipes, e.g. when carrying out demolition or installation work, check to ensure that the pipes no longer contain liquids and empty them if necessary. When cutting through pipes, hold the product above the level of the pipe you are cutting through. The product is not protected against ingress of moisture.

### Power tool use and care

- ▶ Use only bandsaw blades of the specified size.
- ▶ Do not use dull or damaged bandsaw blades. They cause higher friction, binding or kickback of the bandsaw blade.
- ▶ Comply with the manufacturer's instructions for handling and storing bandsaw blades.

## 2.4 Careful handling and use of batteries

- ▶ **Comply with the following safety instructions for the safe handling and use of Li-ion batteries.** Failure to comply can lead to skin irritation, severe corrosive injury, chemical burns, fire and/or explosion.
- ▶ Use only batteries that are in perfect working order.
- ▶ Treat batteries with care in order to avoid damage and prevent leakage of fluids that are extremely harmful to health!
- ▶ Do not under any circumstances modify or tamper with batteries!
- ▶ Do not disassemble, crush or incinerate batteries and do not subject them to temperatures over 80 °C (176 °F).
- ▶ Never use or charge a battery that has suffered an impact or been damaged in any other way. Check your batteries regularly for signs of damage.
- ▶ Never use recycled or repaired batteries.
- ▶ Never use the battery or a battery-operated power tool as a striking tool.
- ▶ Never expose batteries to the direct rays of the sun, elevated temperature, sparking, or open flame. This can lead to explosions.
- ▶ Do not touch the battery poles with your fingers, tools, jewelry, or other electrically conductive objects. This can damage the battery and also cause material damage and personal injury.
- ▶ Keep batteries away from rain, moisture and liquids. Penetrating moisture can cause short circuits, electric shock, burns, fire and explosions.
- ▶ Use only chargers and power tools approved for the specific battery type. Read and follow the relevant operating instructions.
- ▶ Do not use or store the battery in explosive environments.



- If the battery is too hot to touch, it may be defective. Put the battery in a place where it is clearly visible and where there is no risk of fire, at an adequate distance from flammable materials. Allow the battery to cool down. If it is still too hot to touch after an hour, the battery is faulty. Consult **Hilti Service** or read the document entitled "Instructions on safety and use for **Hilti** Li-ion batteries".

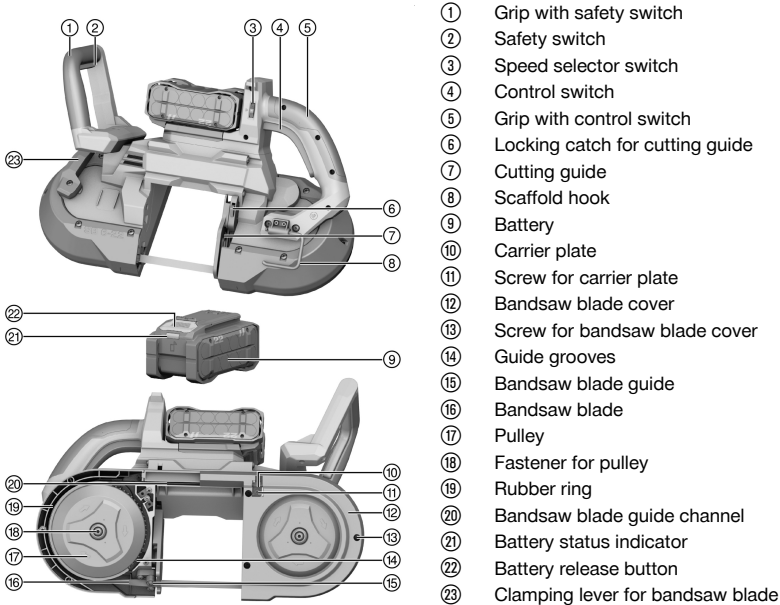


Observe the special guidelines applicable to the transport, storage and use of lithium-ion batteries.  
→ page 13

Read the instructions on safety and use of **Hilti** Li-ion batteries that you can access by scanning the QR code at the end of these operating instructions.

### 3 Description

#### 3.1 Product overview 1



- ① Grip with safety switch
- ② Safety switch
- ③ Speed selector switch
- ④ Control switch
- ⑤ Grip with control switch
- ⑥ Locking catch for cutting guide
- ⑦ Cutting guide
- ⑧ Scaffold hook
- ⑨ Battery
- ⑩ Carrier plate
- ⑪ Screw for carrier plate
- ⑫ Bandsaw blade cover
- ⑬ Screw for bandsaw blade cover
- ⑭ Guide grooves
- ⑮ Bandsaw blade guide
- ⑯ Bandsaw blade
- ⑰ Pulley
- ⑱ Fastener for pulley
- ⑲ Rubber ring
- ⑳ Bandsaw blade guide channel
- ㉑ Battery status indicator
- ㉒ Battery release button
- ㉓ Clamping lever for bandsaw blade

#### 3.2 Intended use

The product described is a cordless bandsaw. It is designed for cutting metals and plastics. The product is designed for operation with both hands.

- For this product, use only **Hilti** Nuron lithium-ion batteries of the B 22 series. For optimum performance, **Hilti** recommends the batteries stated in the table at the end of these operating instructions for this product.
- For these batteries, use only **Hilti** chargers of the type series stated in the table at the end of these operating instructions.

#### 3.3 Items supplied

Bandsaw, operating instructions

Other system products approved for use with this product can be found at your local **Hilti Store** or at: [www.hilti.group](http://www.hilti.group)

#### 3.4 Status indicators of the Li-ion battery

**Hilti** Nuron Li-ion batteries can indicate state of charge, fault messages and the battery's state of health.



### 3.4.1 Indicators for state of charge and fault messages

**WARNING**

**Risk of injury by a falling battery!**

- ▶ If the release button is pressed with a battery inserted in the product, subsequently check that the battery is correctly re-engaged and secure.

Short-press the release button of the battery to get whichever of the following status indications is applicable at the time.

State of charge and, if applicable, faults are indicated constantly as long as the connected product is switched on.

Status	Meaning
Four (4) LEDs show constantly green	State of charge: 100 % to 71 %
Three (3) LEDs show constantly green	State of charge: 70 % to 51 %
Two (2) LEDs show constantly green	State of charge: 50 % to 26 %
One (1) LED shows constantly green	State of charge: 25 % to 10 %
One (1) LED slow-flashes green	State of charge: < 10 %
One (1) LED quick-flashes green	The Li-ion battery is completely discharged. Recharge the battery. If the LED again starts quick-flashing after the battery has been charged, consult <b>Hilti Service</b> .
One (1) LED quick-flashes yellow	The Li-ion battery or the product in which it is inserted is overloaded, too hot or too cold, or experiencing some other fault. Bring the product and the battery to the recommended working temperature and do not overload the product when it is in use. If the message persists, consult <b>Hilti Service</b> .
One (1) LED shows yellow	The Li-ion battery and the product in which it is inserted are not compatible. Consult <b>Hilti Service</b> .
One (1) LED quick-flashes red	The Li-ion battery is locked and cannot be used. Consult <b>Hilti Service</b> .

### 3.4.2 Indicators showing the battery's state of health

To check the battery's state of health, press the release button and hold it down for longer than three seconds. The system does not detect a potential malfunction of the battery due to misuse, for example battery dropped or pierced, external heat damage, etc.

Status	Meaning
All LEDs show in sequence, followed by one (1) LED showing constantly green.	The battery can remain in use.
All LEDs show in sequence, followed by one (1) LED quick-flashing yellow.	The check to ascertain the battery's state of health did not complete. Repeat the procedure, or consult <b>Hilti Service</b> .
All LEDs show in sequence, followed by one (1) LED showing constantly red.	If a connected product can still be used, the remaining battery capacity is below 50 %. If a connected product can no longer be used, the battery has reached the end of its useful life and has to be replaced. Consult <b>Hilti Service</b> .

## 4 Technical data

<b>Weight in accordance with EPTA Procedure 01, without battery</b>	6.5 kg
<b>Rated voltage</b>	21.6 V
<b>No-load speed</b>	150 m/min
<b>Max. cutting depth</b>	127 mm



<b>Dimensions, product (Length x width x height)</b>	525 mm x 175 mm x 375 mm
<b>Dimensions of bandsaw blade (Length x width x thickness)</b>	1,140 mm x 12.4 mm x 0.5 mm
<b>Ambient temperature for operation</b>	-17 °C ... 60 °C
<b>Storage temperature</b>	-20 °C ... 70 °C

#### 4.1 Battery

<b>Battery operating voltage</b>	21.6 V
<b>Weight, battery</b>	See the end of these operating instructions
<b>Ambient temperature for operation</b>	-17 °C ... 60 °C
<b>Storage temperature</b>	-20 °C ... 40 °C
<b>Battery charging starting temperature</b>	-10 °C ... 45 °C

#### 4.2 Noise information and vibration values in accordance with EN 60745

The sound pressure and vibration values given in these instructions were measured in accordance with a standardized test and can be used to compare one power tool with another. They can also be used for a preliminary assessment of exposure. The data given represents the main applications of the power tool. However, if the power tool is used for different applications, with different accessory tools, or is poorly maintained, the data can vary. This can significantly increase exposure over the total working period. An accurate estimation of exposure should also take into account the times when the tool is switched off, or when it is running but not actually being used for a job. This can significantly reduce exposure over the total working period. Identify additional safety measures to protect the operator from the effects of noise and/or vibration, for example: Maintaining the power tool and accessory tools, keeping the hands warm, organization of work patterns.

##### Noise information

<b>Sound power level (<math>L_{WA}</math>)</b>	86 dB(A)
<b>Uncertainty for the sound power level (<math>K_{WA}</math>)</b>	3 dB(A)
<b>Sound pressure level (<math>L_{pA}</math>)</b>	75 dB(A)
<b>Uncertainty for the sound pressure level (<math>K_{pA}</math>)</b>	3 dB(A)

##### Total vibration

<b>Vibration emission value for cutting in metal (ah,CM)</b>	<b>B 22-55</b>	0.8 m/s <sup>2</sup>
	<b>B 22-255</b>	0.7 m/s <sup>2</sup>
<b>Uncertainty (K)</b>		1.5 m/s <sup>2</sup>

## 5 Preparations at the workplace

### WARNING

#### Risk of injury by inadvertent starting!

- ▶ Before inserting the battery, make sure that the product is switched off.
- ▶ Remove the battery before making any adjustments to the power tool or before changing accessories.

Observe the safety instructions and warnings in this documentation and on the product.

#### 5.1 Charging the battery

1. Before charging the battery, read the operating instructions for the charger.
2. Make sure that the contacts on the battery and the contacts on the charger are clean and dry.
3. Use an approved charger to charge the battery. → page 6



## 5.2 Inserting the battery

### WARNING

#### Risk of injury by short circuit or falling battery!

- ▶ Before inserting the battery, make sure that the contacts on the battery and the contacts on the product are free of foreign matter.
- ▶ Make sure that the battery always engages correctly.

1. Charge the battery fully before using it for the first time.
2. Push the battery into the product until it engages with an audible click.
3. Check that the battery is seated securely.

## 5.3 Removing the battery

1. Press the battery release button.
2. Remove the battery from the product.

## 5.4 Changing bandsaw blade

### WARNING

**Risk of injury due to the bandsaw blade.** The bandsaw blade might be hot and/or have sharp edges; under certain circumstances it can break.

- ▶ Wear protective gloves and eye protection when working and when changing the bandsaw blade.
- ▶ Use the bandsaw only with the bandsaw blade cover correctly installed.
- ▶ Never set a bandsaw down on a flammable surface while hot from being used.

### ATTENTION

**Damage to property due to wrong bandsaw blade.** Using a wrong bandsaw blade can lead to premature material fatigue and damage to the bandsaw.

- ▶ Select the correct bandsaw blade for the bandsaw and the material.
- ▶ Select the bandsaw blade with the correct tooth pitch (teeth per inch, tpi) for the material you are going to cut: higher tpi for hard/thin materials; lower tpi for soft/thick materials.
- ▶ Use only bandsaw blades that are 0.5 mm thick. Thicker bandsaw blades mean more bending strain and accelerated wear of the saw teeth.
- ▶ Select the bandsaw blade such that at least two saw teeth are in contact with the workpiece.
- ▶ Use only bandsaw blades with the dimensions 1140 mm × 12.5 mm × 0.5 mm.

1. Slacken the screws of both bandsaw blade covers.
2. Remove both bandsaw blade covers.
3. Turn the clamping lever as far as it will go.
  - ▶ The bandsaw blade is loosened.
4. Remove the old bandsaw blade from the guide and disposal of the bandsaw blade.
5. Insert the new bandsaw blade into the bandsaw blade guide.
6. Loop the new bandsaw blade over both pulleys.
7. Insert the new bandsaw blade into the bandsaw blade guide channel.
8. Check that the bandsaw blade is correctly seated.
9. Turn the clamping lever as far as it will go.
  - ▶ The bandsaw blade is tensioned.
10. Install both bandsaw blade covers.
11. Tighten the screws of both bandsaw blade covers.


## 5.5 Fall arrest

### WARNING

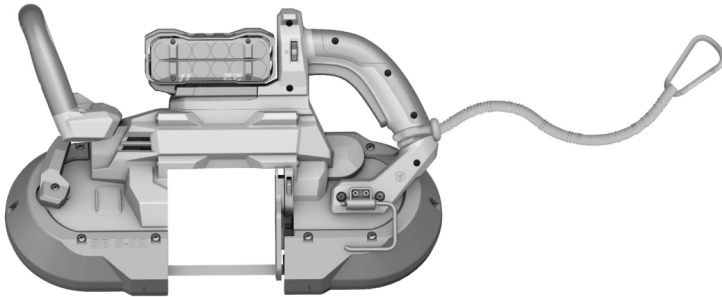
#### Risk of injury by falling tool and/or accessory!

- ▶ Use only the **Hilti** tool tether recommended for your product.
- ▶ Prior to each use, always check the attachment point of the tool tether for possible damage.




 Comply with the national regulations for working at heights.

As drop arrester for this product, use only the **Hilti** tool tether #2261971.



- ▶ Use the loop to secure the tool tether to the product as shown in the illustration. Check that it holds securely.
- ▶ Secure the carabiner to a load-bearing structure. Check that the carabiner holds securely.

 Comply with the operating instructions of the **Hilti** tool tether.

## 6 Operation

Observe the safety instructions and warnings in this documentation and on the product.

### 6.1 Adjusting cutting guide

1. Press and hold down the locking catch of the cutting guide.
2. Move the cutting guide to the desired height.
3. Release the locking catch of the cutting guide.

### 6.2 Sawing

#### **WARNING**

**Risk of injury** by kickback of the bandsaw.

- ▶ Secure the workpiece in a bench vise, for example, before you start sawing.
- ▶ Bring the bandsaw and the workpiece into alignment.

#### **WARNING**

**Risk of injury** by saw run-on.

- ▶ Do not lift the product away from the workpiece until it has stopped completely.
- ▶ Wait until the product stops completely before you lay it down.

#### **WARNING**

**Risk of injury due to the bandsaw blade.** The bandsaw blade might be hot and/or have sharp edges; under certain circumstances it can break.

- ▶ Wear protective gloves and eye protection when working and when changing the bandsaw blade.
- ▶ Use the bandsaw only with the bandsaw blade cover correctly installed.
- ▶ Never set a bandsaw down on a flammable surface while hot from being used.





**⚠ ATTENTION**

**Damage to property due to wrong bandsaw blade.** Using a wrong bandsaw blade can lead to premature material fatigue and damage to the bandsaw.

- ▶ Select the correct bandsaw blade for the bandsaw and the material.
- ▶ Select the bandsaw blade with the correct tooth pitch (teeth per inch, tpi) for the material you are going to cut: higher tpi for hard/thin materials; lower tpi for soft/thick materials.
- ▶ Use only bandsaw blades that are 0.5 mm thick. Thicker bandsaw blades mean more bending strain and accelerated wear of the saw teeth.
- ▶ Select the bandsaw blade such that at least two saw teeth are in contact with the workpiece.
- ▶ Use only bandsaw blades with the dimensions 1140 mm × 12.5 mm × 0.5 mm.

Check the rubber ring for damage at regular intervals.

After every cutting operation, remove dust and chips from the bandsaw blade covers and the cutting guide to prolong the useful life of the bandsaw.



To start the bandsaw, you must: First press the control switch and then press the safety switch and hold both switches down at the same time.



The weight of the bandsaw is sufficient to make the cut. Do not apply additional pressure to the bandsaw.

1. Replace the rubber ring when necessary. → page 12
2. Change the bandsaw blade when necessary. → page 9
3. Press and hold down the control switch.
4. Press and hold down the safety switch.
5. Position the bandsaw on the workpiece in such a way that as many saw teeth as possible act on the workpiece.
6. Carry out the sawing work.



Guide the bandsaw in such a way that at least three saw teeth remain in the cut at all times if possible.

7. Release the control switch.

## 7 Care and maintenance

**⚠ WARNING**

**Risk of injury with battery inserted !**

- ▶ Always remove the battery before carrying out care and maintenance tasks!

### Care of the product

- Carefully remove stubborn dirt.
- Carefully clean the air vents, if present, with a dry, soft brush.
- Use only a slightly damp cloth to clean the housing. Do not use cleaning agents containing silicone as these can attack the plastic parts.
- Use a dry, clean cloth to clean the contacts of the product.

### Care of the Li-ion batteries

- Never use a battery with clogged air vents. Clean the air vents carefully using a dry, soft brush.
- Avoid unnecessary exposure of the battery to dust and dirt. Never expose the battery to high levels of moisture (e.g. by being dipped in water or left in the rain).  
If a battery has been soaked by moisture, treat it as a damaged battery. Isolate it in a non-flammable container and consult **Hilti Service**.
- Keep the battery free of extraneous oil and grease. Do not permit dust or dirt to accumulate unnecessarily on the battery. Clean the battery with a dry, soft brush or a clean, dry cloth. Do not use cleaning agents containing silicone as these can attack the plastic parts.  
Do not touch the contacts of the battery and do not remove the factory-applied grease from the contacts.



- Use only a slightly damp cloth to clean the housing. Do not use cleaning agents containing silicone as these can attack the plastic parts.

### Maintenance

- Check all visible parts and controls for signs of damage at regular intervals and make sure that they all function correctly.
- Do not use the product if signs of damage are found or if parts malfunction. Immediately have the product repaired by **Hilti Service**.
- After cleaning and maintenance, install all guards and protective devices and check that they are in full working order.



To help ensure safe and reliable operation, use only genuine Hilti spare parts and consumables. Spare parts, consumables and accessories approved by **Hilti** for use with your product can be found at your **Hilti Store** or online at: [www.hilti.group](http://www.hilti.group)

### 7.1 Replacing bandsaw blade cover



Replace the bandsaw blade cover as soon as you find signs of damage.

1. Slacken the screws of the bandsaw blade cover.
2. Remove the damaged bandsaw blade cover and dispose of it correctly.
3. Position the new bandsaw blade cover on the bandsaw.
4. Tighten the screws of the bandsaw blade cover to 2 to 3 Nm.

### 7.2 Changing rubber ring



Replace the rubber ring as soon as you find signs of damage.

1. Remove the bandsaw blade → page 9.
2. Remove the rubber ring.
3. Check that the guide grooves are free of foreign matter and clean them if necessary.
4. Stretch the new rubber ring over the pulley for the bandsaw blade.
5. Ease the rubber ring into position on the pulley until it is fully flush with the guide grooves.
6. Re-install the bandsaw blade. → page 9.

### 7.3 Replacing bandsaw blade guide



Replace the bandsaw blade guide as soon as you find signs of damage, for example if the bandsaw blade has notched into the guide.

1. Remove the bandsaw blade → page 9.
2. Slacken both screws of the bandsaw blade guide.
3. Remove the damaged bandsaw blade guide from the bandsaw and dispose of the bandsaw blade guide correctly.
4. Insert the new bandsaw blade guide into the bandsaw.
5. Tighten the two screws of the bandsaw blade guide to 2 to 3 Nm.
6. Re-install the bandsaw blade. → page 9.

### 7.4 Replacing carrier plate



Replace the carrier plate as soon as the bandsaw blade drags or binds.

1. Remove the bandsaw blade → page 9.
2. Slacken the screw of the carrier plate.
3. Remove the damaged carrier plate from the bandsaw and dispose of the carrier plate correctly.



4. Insert the new carrier plate into the bandsaw.
5. Tighten the screw of the carrier plate to 2 to 3 Nm.
6. Re-install the bandsaw blade. → page 9.

## 8 Transport and storage of cordless tools and batteries

### Transport

#### CAUTION

#### Accidental starting during transport !

- ▶ Always transport your products with the batteries removed!
- 
- ▶ Remove the battery/batteries.
  - ▶ Never transport batteries loose and unprotected. During transport, batteries should be protected from excessive shock and vibration and isolated from any conductive materials or other batteries that may come in contact with the terminals and cause a short circuit. **Comply with the locally applicable regulations for transporting batteries.**
  - ▶ Do not send batteries through the mail. Consult your shipper for instructions on how to ship undamaged batteries.
  - ▶ Prior to each use and before and after prolonged transport, check the product and the batteries for damage.

### Storage

#### WARNING

#### Accidental damage caused by defective or leaking batteries !

- ▶ Always store your products with the batteries removed!
- 
- ▶ Store the product and the batteries in a cool and dry place. Comply with the temperature limits stated in the technical data.
  - ▶ Do not store batteries on the charger. Always remove the battery from the charger when the charging operation has completed.
  - ▶ Never leave batteries in direct sunlight, on sources of heat, or behind glass.
  - ▶ Store the product and batteries where they cannot be accessed by children or unauthorized persons.
  - ▶ Prior to each use and before and after prolonged storage, check the product and the batteries for damage.

## 9 Troubleshooting

If a problem occurs, always observe the status indicator of the battery. See the section headed **Status indicators of the Li-ion battery**.

If the trouble you are experiencing is not listed in this table or you are unable to rectify the problem by yourself, contact **Hilti Service**.

Trouble or fault	Possible cause	Action to be taken
Product does not develop full power.	The control switch is not fully pressed.	▶ Press the control switch fully.
The product can't be switched on.	Switch-on interlock not activated.	▶ Activate the switch-on interlock.
Product does not start.	Bandsaw blade jams	▶ Check whether the bandsaw blade is fitted correctly and/or damaged.
LEDs of the battery show nothing	Battery defective	▶ Contact <b>Hilti Service</b> .




## 10 Disposal

---

### **WARNING**

**Risk of injury due to incorrect disposal!** Health hazards due to escaping gases or liquids.

- ▶ DO NOT send batteries through the mail!
  - ▶ Cover the terminals with a non-conductive material (such as electrical tape) to prevent short circuiting.
  - ▶ Dispose of your battery out of the reach of children.
  - ▶ Dispose of the battery at your **Hilti Store**, or consult your local governmental garbage disposal or public health and safety resources for disposal instructions.
- 

 Most of the materials from which **Hilti** products are manufactured can be recycled. The materials must be correctly separated before they can be recycled. In many countries, your old tools, machines or appliances can be returned to **Hilti** for recycling. Ask **Hilti Service** or your Hilti sales representative for further information.



- ▶ Do not dispose of power tools, electronic equipment or batteries as household waste!
- 

## 11 Manufacturer's warranty

---

- ▶ Please contact your local **Hilti** representative if you have questions about the warranty conditions.

## 12 Further information

---

For more information on operation, technology, environment and recycling, follow this link: [qr.hilti.com/manual/?id=2354065&id=2354067](http://qr.hilti.com/manual/?id=2354065&id=2354067)

This link is also to be found at the end of the documentation, in the form of a QR code.

# Mode d'emploi original

## 1 Indications relatives au mode d'emploi

---

### 1.1 À propos de ce mode d'emploi

- Avant de mettre l'appareil en marche, lire impérativement ce mode d'emploi. C'est la condition préalablement requise pour assurer la sécurité du travail et un maniement sans perturbations.
- Bien respecter les consignes de sécurité et les avertissements du présent mode d'emploi ainsi que celles figurant sur le produit.
- Toujours conserver le mode d'emploi à proximité du produit et uniquement transmettre le produit à des tiers accompagné de ce mode d'emploi.

### 1.2 Explication des symboles

#### 1.2.1 Avertissements

Les avertissements attirent l'attention sur des dangers liés à l'utilisation du produit. Les termes de signalisation suivants sont utilisés :

### **DANGER**

**DANGER !**

- ▶ Pour un danger imminent qui peut entraîner de graves blessures corporelles ou la mort.
- 

### **AVERTISSEMENT**

**AVERTISSEMENT !**

- ▶ Pour un danger potentiel qui peut entraîner de graves blessures corporelles ou la mort.
- 



**ATTENTION**

**ATTENTION !**

- Pour une situation potentiellement dangereuse pouvant entraîner des blessures corporelles ou des dégâts matériels.

**1.2.2 Symboles dans le manuel d'utilisation**

Les symboles suivants sont utilisés dans le présent manuel d'utilisation :

	Respecter le manuel d'utilisation
	Pour des conseils d'utilisation et autres informations utiles
	Maniement des matériaux recyclables
	Ne pas jeter les appareils électriques et les accus dans les ordures ménagères
	<b>Hilti</b> Accu Li-Ion
	<b>Hilti</b> Chargeur

**1.2.3 Symboles dans les illustrations**

Les symboles suivants sont utilisés dans les illustrations :

	Ces chiffres renvoient à l'illustration correspondante au début du présent manuel d'utilisation.
	La numérotation détermine la séquence des étapes de travail dans l'image et peut se différencier de celles des étapes de travail dans le texte.
	Les numéros de position sont utilisés dans l'illustration <b>Vue d'ensemble</b> et renvoient aux numéros des légendes dans la section <b>Vue d'ensemble du produit</b> .
	Ce signe doit inviter à manier le produit en faisant particulièrement attention.

**1.3 Symboles spécifiques au produit**

**1.3.1 Symboles sur le produit**

Les symboles suivants peuvent être utilisés sur le produit :

	Courant continu
	Flèche indiquant le sens de rotation
	Le produit prend en charge la technologie NFC qui est compatible avec les plates-formes iOS et Android.
	Accu lithium-ions
	Ne jamais taper sur la batterie avec un objet et ne jamais utiliser la batterie comme outil de percussion.
	Ne pas laisser tomber l'accu. Ne pas utiliser d'accu ayant subi un choc ou d'autres dommages.

**1.4 Informations produit**

Les produits sont destinés aux professionnels et ne doivent être utilisés, entretenus et réparés que par un personnel autorisé et formé. Ce personnel doit être spécialement instruit quant aux dangers inhérents à l'utilisation de l'appareil. Le produit et ses accessoires peuvent s'avérer dangereux s'ils sont utilisés de manière incorrecte par un personnel non qualifié ou de manière non conforme à l'usage prévu. La désignation du modèle et le numéro de série figurent sur sa plaque signalétique.



- Inscrivez le numéro de série dans le tableau suivant. Les informations produit vous seront demandées lorsque vous contactez nos revendeurs ou services après-vente.

### Caractéristiques produit

Scie à ruban sans fil	SB 6-22
Génération	01
N° de série	

## 1.5 Déclaration de conformité

Le fabricant déclare sous sa seule et unique responsabilité que le produit décrit ici est conforme aux directives et normes en vigueur. Une copie de la Déclaration de conformité se trouve en fin de la présente documentation.

Pour obtenir les documentations techniques, s'adresser à :

Hilti Entwicklungsgesellschaft mbH | Zulassung Geräte | Hiltistraße 6 | 86916 Kaufering, DE

## 2 Sécurité

### 2.1 Indications générales de sécurité pour les appareils électriques

**⚠ AVERTISSEMENT Lire toutes les consignes de sécurité et instructions, illustrations et caractéristiques techniques, qui accompagnent cet outil électroportatif.** Tout manquement à l'observation des instructions suivantes risque de provoquer une électrocution, un incendie et/ou de graves blessures.

**Les consignes de sécurité et instructions doivent être intégralement conservées pour les utilisations futures.**

La notion d'« outil électroportatif » mentionnée dans les consignes de sécurité se rapporte à des outils électriques raccordés au secteur (avec câble d'alimentation) et à des outils électriques sur accu (sans câble d'alimentation).

#### Sécurité sur le lieu de travail

- **Conserver la zone de travail propre et bien éclairée.** Un lieu de travail en désordre ou mal éclairé augmente le risque d'accidents.
- **Ne pas faire fonctionner les outils électriques en atmosphère explosive et où se trouvent des liquides, des gaz ou poussières inflammables.** Les outils électriques produisent des étincelles qui peuvent enflammer les poussières ou les fumées.
- **Maintenir les enfants et les personnes présentes à l'écart pendant l'utilisation de l'outil électroportatif.** En cas d'inattention il y a risque de perdre le contrôle de l'appareil.

#### Sécurité relative au système électrique

- **La fiche de secteur de l'outil électroportatif doit être adaptée à la prise de courant. Ne jamais modifier la fiche de quelque façon que ce soit. Ne pas utiliser d'adaptateurs avec des outils électriques à branchement de terre.** Des fiches non modifiées et des prises de courant adaptées réduiront le risque de choc électrique.
- **Éviter le contact physique avec des surfaces mises à la terre tels que tuyaux, radiateurs, cuisinières et réfrigérateurs.** Il y a un risque élevé de choc électrique au cas où votre corps serait relié à la terre.
- **Ne pas exposer les outils électroportatifs à la pluie ou à l'humidité.** La pénétration d'eau à l'intérieur d'un outil électroportatif augmentera le risque d'un choc électrique.
- **Ne jamais utiliser le câble de raccordement à d'autres fins que celles prévues, telles que pour porter, accrocher ou débrancher l'outil électroportatif de la prise de courant. Maintenir le câble de raccordement à l'écart de la chaleur, des parties grasses, des bords tranchants ou des parties en mouvement.** Des câbles de raccordement endommagés ou emmêlés augmentent le risque de choc électrique.
- **Si l'outil électroportatif est utilisé à l'extérieur, utiliser uniquement des câbles de rallonge homologués pour les applications extérieures.** L'utilisation d'un câble de rallonge homologué pour les applications extérieures réduit le risque d'un choc électrique.
- **Si l'utilisation de l'outil électrique dans un environnement humide ne peut pas être évitée, utiliser un interrupteur de protection contre les courants de court-circuit.** L'utilisation d'un tel interrupteur de protection réduit le risque d'une décharge électrique.

#### Sécurité des personnes

- **Rester vigilant, surveiller ce que l'on fait. Faire preuve de bon sens en utilisant l'outil électroportatif. Ne pas utiliser l'outil électroportatif en étant fatigué ou sous l'emprise de l'alcool, de drogues ou**



**de médicaments.** Un moment d'inattention lors de l'utilisation de l'outil électroportatif peut entraîner des blessures graves.

- ▶ **Utiliser un équipement de protection personnel et toujours porter une protection pour les yeux.** Les équipements de protection personnels tels que masque antipoussière, chaussures de sécurité antidérapantes, casque de protection ou protection acoustique suivant l'utilisation de l'outil électroportatif, réduiront le risque de blessures des personnes.
- ▶ **Éviter une mise en service par mégarde. S'assurer que l'outil électroportatif est arrêté avant de le brancher à la source de courant et/ou à l'accu, de le prendre ou de le porter.** Le fait de porter l'outil électroportatif avec le doigt sur l'interrupteur ou de brancher l'appareil sur la source de courant lorsque l'interrupteur est en position de fonctionnement peut entraîner des accidents.
- ▶ **Retirer tout outil de réglage ou toute clé avant de mettre l'outil électroportatif en fonctionnement.** Une clé ou un outil se trouvant sur une partie en rotation peut causer des blessures.
- ▶ **Adopter une bonne posture. Veiller à toujours garder une position stable et équilibrée.** Cela permet un meilleur contrôle de l'outil électroportatif dans des situations inattendues.
- ▶ **S'habiller de manière adaptée. Ne pas porter de vêtements amples ni de bijoux. Garder les cheveux, les vêtements et les gants à distance des parties en mouvement.** Des vêtements amples, des bijoux ou des cheveux longs peuvent être happés par des parties en mouvement.
- ▶ **Si des dispositifs servant à aspirer ou à recueillir les poussières doivent être utilisés, s'assurer qu'ils sont effectivement raccordés et correctement utilisés.** L'utilisation d'un dispositif d'aspiration de la poussière peut réduire les risques dus aux poussières.
- ▶ **Ne pas sous-estimer les mesures de sécurité à prendre et ne pas ignorer sciemment les règles de sécurité applicables aux outils électriques, même si l'on est utilisateur chevronné après de fréquentes utilisations de l'outil électroportatif.** Un manque d'attention peut conduire à de graves blessures en quelques fractions de seconde.

#### Utilisation et maniement de l'outil électroportatif

- ▶ **Ne pas forcer l'appareil. Utiliser l'outil électroportatif adapté au travail à effectuer.** Un outil électroportatif approprié réalisera mieux le travail et de manière plus sûre au régime pour lequel il a été conçu.
- ▶ **Ne pas utiliser d'outil électroportatif dont l'interrupteur est défectueux.** Tout outil électroportatif qui ne peut plus être mis en ou hors fonctionnement est dangereux et doit être réparé.
- ▶ **Débrancher la fiche de la prise de courant et/ou l'accu amovible avant d'effectuer des réglages sur l'appareil, de changer les accessoires, ou de ranger l'appareil.** Cette mesure de précaution empêche une mise en fonctionnement par mégarde de l'outil électroportatif.
- ▶ **Conserver les outils électroportatifs non utilisés hors de portée des enfants. Ne permettre l'utilisation de l'appareil à aucune personne qui ne soit pas familiarisée avec celui-ci ou qui n'a pas lu ces instructions.** Les outils électroportatifs sont dangereux lorsqu'ils sont entre les mains de personnes non initiées.
- ▶ **Prendre soin des outils électroportatifs et des accessoires. Vérifier que les parties en mouvement fonctionnent correctement et qu'elles ne sont pas coincées, et contrôler si des parties sont cassées ou endommagées de sorte que le bon fonctionnement de l'outil électroportatif s'en trouve entravé. Faire réparer les parties endommagées avant d'utiliser l'appareil.** De nombreux accidents sont dus à des outils électroportatifs mal entretenus.
- ▶ **Garder les outils de coupe affûtés et propres.** Des outils destinés à couper correctement entretenus avec des arêtes de coupe tranchantes sont moins susceptibles de bloquer et sont plus faciles à contrôler.
- ▶ **L'outil électroportatif, les accessoires, les outils amovibles, etc. doivent être utilisés conformément à ces instructions. Tenir également compte des conditions de travail et du travail à réaliser.** L'utilisation des outils électroportatifs à d'autres fins que celles prévues peut entraîner des situations dangereuses.
- ▶ **Veiller à ce que les poignées et surfaces de préhension soient toujours être sèches, propres et exemptes de traces de graisse ou d'huile.** Avec des poignées et surfaces de préhension glissantes, la sécurité et le contrôle de l'outil électroportatif ne peuvent être assurés dans des situations inopinées.

#### Utilisation et maniement de l'outil sur accu

- ▶ **Ne charger les accus que dans des chargeurs recommandés par le fabricant.** Si un chargeur approprié à un type spécifique d'accus est utilisé avec des accus non recommandés pour celui-ci, il y a risque d'incendie.
- ▶ **Dans les outils électroportatifs, utiliser uniquement les accus spécialement prévus pour ceux-ci.** L'utilisation de tout autre accu peut entraîner des blessures et des risques d'incendie.
- ▶ **Tenir l'accu non utilisé à l'écart de tous objets métalliques tels qu'agrafes, pièces de monnaie, clés, clous, vis ou autres, étant donné qu'un pontage peut provoquer un court-circuit.** Un court-circuit entre les contacts d'accu peut provoquer des brûlures ou un incendie.



- ▶ **En cas d'utilisation abusive, du liquide peut sortir de l'accu. Éviter tout contact avec ce liquide. En cas de contact par mégarde, rincer soigneusement avec de l'eau. Au cas où le liquide rentrerait dans les yeux, consulter en plus un médecin.** Le liquide qui sort de l'accu peut entraîner des irritations de la peau ou causer des brûlures.
- ▶ **Ne pas utiliser d'accu endommagé ou modifié.** Des accus endommagés ou modifiés peuvent avoir un comportement imprévisible et provoquer un incendie, une explosion ou engendrer un risque de blessures.
- ▶ **Ne jamais exposer l'accu au feu ou à des températures trop élevées.** Le feu ou des températures supérieures à 130 °C (265 °F) peuvent provoquer une explosion.
- ▶ **Suivre toutes les instructions de charge et ne jamais charger l'accu ou l'outil sur accu hors de la plage de températures spécifiée dans le manuel d'utilisation.** Une charge inappropriée ou hors de la plage de températures spécifiée risque d'endommager l'accu et accroître le risque d'incendie.

### Service

- ▶ **L'outil électroportatif doit uniquement être réparé par un personnel qualifié et seulement avec des pièces de rechange d'origine.** Ceci permet d'assurer la sécurité de l'appareil.
- ▶ **Ne jamais entretenir d'accus endommagés.** Toutes les opérations d'entretien sur des accus doivent exclusivement être réalisées par le fabricant ou un prestataire de service client agréé.

## 2.2 Consignes de sécurité pour scies à ruban

- ▶ **Tenir l'outil électroportatif seulement par les surfaces isolées des poignées lors des travaux pendant lesquels l'appareil utilisé risque de toucher des câbles électriques cachés.** Le contact avec un câble sous tension risque aussi de mettre les parties métalliques de l'appareil sous tension et de provoquer une décharge électrique.

## 2.3 Consignes de sécurité supplémentaires

- ▶ Bien garder les mains à distance de la zone de sciage et du ruban de la scie. Avec la deuxième main, tenez la poignée avec l'interrupteur de sécurité. Si la scie est tenue des deux mains, celles-ci ne risquent pas d'être blessées lors du sciage.
- ▶ Utiliser le produit et les accessoires uniquement s'ils sont en parfait état.
- ▶ Ne jamais entreprendre de manipulation ni de modification sur le produit ou les accessoires.
- ▶ Ne mettre le produit en marche qu'après l'avoir mis en position de travail.
- ▶ Éviter de toucher des pièces en rotation – Risque de blessures !
- ▶ Faire de prudence en soulevant et/ou en portant le produit, le ruban de la scie est tranchant et peut provoquer des coupures ou des dommages matériels.
- ▶ Pendant l'utilisation du produit, porter des lunettes de protection, un casque de protection et un casque antibruit.
- ▶ Porter des gants de protection pour changer d'outil. Risque de blessures par coupure et de brûlures au contact avec l'outil amovible.
- ▶ La poussière générée par le meulage, le ponçage, le tronçonnage et le forage peut contenir des produits chimiques dangereux. Par exemple : plomb ou peinture à base de plomb ; brique, béton et autres produits de maçonnerie, pierre naturelle et autres produits contenant des silicates ; certains bois, tels que le chêne, le hêtre et le bois traité chimiquement ; amiante ou matériaux contenant de l'amiante. Déterminer l'exposition de l'opérateur et personnes se trouvant dans l'entourage en fonction de la classe de danger des matériaux traités. Prendre les mesures nécessaires pour maintenir l'exposition à un niveau sûr, par exemple en utilisant un système de collecte des poussières ou en portant une protection respiratoire appropriée. Mesures générales visant à réduire l'exposition :
  - ▶ Travailler dans un endroit bien ventilé
  - ▶ Éviter le contact prolongé avec la poussière
  - ▶ Faire en sorte que la poussière soit dirigée loin du visage et du corps
  - ▶ Porter des vêtements de protection et laver les zones exposées à l'eau et au savon
- ▶ Utiliser la scie à ruban uniquement lorsque le couvercle du ruban de la scie est correctement installé afin d'éviter les blessures.
- ▶ Pour les coupes longitudinales, toujours utiliser un guide parallèle ou un guide à bords droits. Cela améliore la précision de la coupe et réduit le risque de grippage de la lame.
- ▶ Ne jamais tenir la pièce à scier avec la main ou une autre partie du corps. Fixer la pièce sur un support stable. Il est important que la pièce à travailler soit soutenue convenablement afin de minimiser l'exposition du corps, le grippage de la lame et le risque de perte de maîtrise.
- ▶ Toujours tenir le produit des deux mains au niveau des poignées de maintien prévues à cet effet et mettez les bras dans une position vous permettant d'amortir les forces de contrecoup.





- ▶ Veiller à ce que les poignées soient toujours sèches, propres et exemptes de traces de graisse et d'huile.
- ▶ Toujours se tenir latéralement à la lame de scie, le corps de l'utilisateur ne doit jamais être dans l'alignement de la lame de scie. En cas de contrecoup, la scie risque d'être propulsée vers l'arrière !
- ▶ S'assurer d'avoir une position stable, surtout lors de travaux au plafond. Une percée soudaine peut déséquilibrer l'opérateur.
- ▶ Lors de travaux de perforation, protéger les deux côtés de la pièce. Des morceaux de matériaux risquent de tomber et d'entraîner des blessures.
- ▶ Si la lame de scie se coince ou que le travail est interrompu, arrêter la scie et la tenir dans le matériau sans bouger jusqu'à ce que la lame de scie s'immobilise. Ne jamais essayer de sortir la scie de la pièce travaillée ou de la tirer vers l'arrière tant que la lame de scie bouge, sans quoi un contrecoup risque de se produire.
- ▶ Si une scie qui s'est bloquée dans une pièce doit être remise en marche, centrer la lame de scie dans la fente et contrôler que les dents de la scie ne soient pas restées accrochées dans la pièce.
- ▶ Travailler avec d'autant plus de prudence pour découper des parois existantes ou d'autres zones sans visibilité. La lame plongeante risque de se coincer dans des objets cachés et de provoquer un contrecoup.
- ▶ Faire régulièrement des pauses et des exercices pour favoriser l'irrigation sanguine dans les doigts. En cas de travaux prolongés, les fortes vibrations peuvent perturber la circulation dans les vaisseaux sanguins ou le système nerveux dans les doigts, les mains ou le poignet.
- ▶ Ne pas fixer l'éclairage (LED) du produit et ne pas projeter la lumière dans le visage d'autres personnes. Il y a un risque d'éblouissement.
- ▶ Avant de commencer à scier, s'assurer que le ruban de la scie est correctement monté. Un ruban de scie mal monté risque de se coincer et provoquer un contrecoup.
- ▶ Risque de blessures dues à la chute d'outils et/ou d'accessoires. Avant de commencer à travailler, contrôler si l'accu et l'accessoire monté sont solidement fixés.

#### Sécurité relative au système électrique

- ▶ Avant d'entamer le travail, vérifier qu'il n'y a pas de câbles ou gaines électriques, tuyaux de gaz ou d'eau cachés dans la zone d'intervention. Les parties métalliques externes du produit peuvent provoquer un choc électrique ou une explosion si vous endommagez une ligne électrique, une conduite de gaz ou une conduite d'eau.
- ▶ En cas de séparation de conduites, par exemple lors de travaux de démolition ou d'installation, s'assurer préalablement que celles-ci ne contiennent plus aucun liquide et les vider si nécessaire. Lors du sectionnement de tuyauteries, toujours tenir le produit plus haut que la conduite à sectionner. Le produit n'est pas équipé d'une protection empêchant les pénétrations d'humidité.

#### Utilisation et emploi soigneux de l'outil électroportatif

- ▶ Utiliser uniquement des rubans de scie de la taille prescrite.
- ▶ Ne pas utiliser de rubans de scie émoussés ou endommagés. Ceux-ci entraîneraient une friction élevée, un coincement ou un contrecoup du ruban.
- ▶ Respecter les instructions du fabricant relatives au maniement et au stockage des rubans de scie.

## 2.4 Utilisation et emploi soigneux des batteries

- ▶ **Respecter les consignes de sécurité suivantes relatives à la manipulation et à l'utilisation des accus Li-Ion.** Le non-respect de telles mesures risque de provoquer des irritations cutanées, des blessures graves corrosives, des brûlures chimiques, des incendies et/ou des explosions.
- ▶ Utiliser les accus uniquement dans un état techniquement impeccable.
- ▶ Traiter les accus avec soin pour éviter les endommagement et les fuites de liquides très nocifs pour la santé !
- ▶ Les accus ne doivent en aucun cas être modifiés ou manipulés !
- ▶ Il est interdit de démonter, écraser, chauffer les accus à une température supérieure à 80 °C (176 °F) ou de les jeter au feu.
- ▶ Ne pas utiliser ni recharger d'accus ayant subi un choc ou ayant été endommagés de quel-qu'autre manière. Vérifier régulièrement l'absence de traces d'endommagement sur les accus.
- ▶ Ne jamais utiliser d'accus recyclés ou réparés.
- ▶ Ne jamais utiliser l'accu ni aucun outil électrique sans fil comme outil de percussion.
- ▶ Ne jamais exposer les accus à un rayonnement direct du soleil, des températures élevées, des étincelles ou des flammes nues. Il y a alors risque d'explosions.
- ▶ Ne jamais toucher les pôles avec les doigts, des outils, des bijoux ou tout autre objet métallique. Cela peut endommager l'accu et entraîner des dommages matériels et des blessures.
- ▶ Maintenir les accus à l'abri de la pluie, de l'humidité et des liquides. Toute pénétration d'humidité risque de provoquer un court-circuit, des chocs électriques, des brûlures, des incendies ou des explosions.



- ▶ Utiliser exclusivement les chargeurs et outils électriques prévus pour le type d'accu considéré. Respecter à ce sujet les indications du mode d'emploi correspondant.
- ▶ Ne pas utiliser ni stocker l'accu dans des environnements présentant des risques d'explosion.
- ▶ Si l'accu est trop chaud pour être touché, il est probablement défectueux. Placer l'accu dans un endroit bien visible, non inflammable et suffisamment éloigné de matériaux inflammables. Laisser l'accu refroidir. Si, après une heure, l'accu est toujours trop chaud pour être saisi, c'est qu'il est défectueux. Contacter le service après-vente **Hilti** ou consulter le document « Instructions de sécurité et d'utilisation pour les accus Li-Ion **Hilti** ».

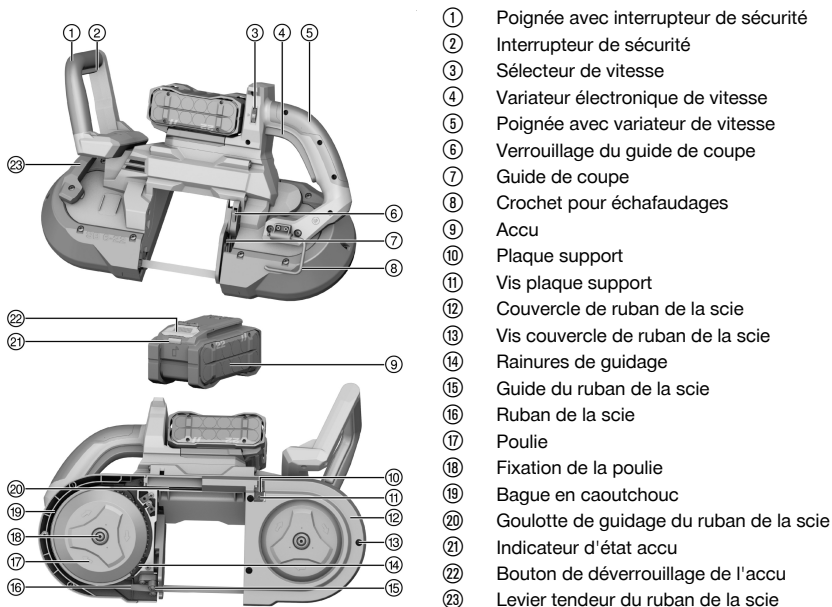


Respecter les directives spécifiques pour le transport, le stockage et l'utilisation d'accus Li-Ion.  
→ Page 27

Lire les remarques relatives à la sécurité et à l'utilisation des accus Li-Ion **Hilti** que vous trouverez en scannant le code QR à la fin de ce mode d'emploi.

### 3 Description

#### 3.1 Vue d'ensemble du produit



- ① Poignée avec interrupteur de sécurité
- ② Interrupteur de sécurité
- ③ Sélecteur de vitesse
- ④ Variateur électronique de vitesse
- ⑤ Poignée avec variateur de vitesse
- ⑥ Verrouillage du guide de coupe
- ⑦ Guide de coupe
- ⑧ Crochet pour échafaudages
- ⑨ Accu
- ⑩ Plaque support
- ⑪ Vis plaque support
- ⑫ Couvercle de ruban de la scie
- ⑬ Vis couvercle de ruban de la scie
- ⑭ Rainures de guidage
- ⑮ Guide du ruban de la scie
- ⑯ Ruban de la scie
- ⑰ Poulie
- ⑱ Fixation de la poulie
- ⑲ Bague en caoutchouc
- ⑳ Goulotte de guidage du ruban de la scie
- ㉑ Indicateur d'état accu
- ㉒ Bouton de déverrouillage de l'accu
- ㉓ Levier tendeur du ruban de la scie

#### 3.2 Utilisation conforme à l'usage prévu

Le produit décrit est une scie à ruban sans fil. Elle est conçue pour des travaux de sciage dans des matériaux métalliques et plastiques.

Le produit doit être tenu avec les deux mains.

- Pour ce produit, utiliser exclusivement des accus Li-Ion **Hilti** Nuron de la série B 22. Pour une puissance optimale, **Hilti** recommande pour ce produit les accus indiqués dans le tableau à la fin de ce mode d'emploi.
- Pour ces accus, utiliser exclusivement des chargeurs **Hilti** des séries indiquées dans le tableau à la fin de ce mode d'emploi.

#### 3.3 Éléments livrés

Scie à ruban, mode d'emploi

D'autres produits système pour votre produit peuvent être trouvés dans votre **Hilti Store** ou à l'adresse : [www.hilti.group](http://www.hilti.group)



### 3.4 Affichages de l'accu Li-Ion

Les accus Li-Ion Hilti Nuron peuvent afficher l'état de charge, les messages d'erreur et l'état de l'accu.

#### 3.4.1 Affichages de l'état de charge et des messages d'erreur



#### AVERTISSEMENT

##### Risque de blessures en cas de chute de l'accu !

- ▶ Lorsque l'accu est inséré et après avoir appuyé sur la touche de déverrouillage, s'assurer que l'accu est correctement réenclenché dans le produit utilisé.

Pour consulter un des affichages suivants, appuyer brièvement sur la touche de déverrouillage de l'accu. L'état de charge et les dysfonctionnements possibles sont affichés en permanence tant que le produit raccordé est allumé.

État	Signification
Quatre (4) DEL sont allumées en vert en continu	État de charge : de 100 % à 71 %
Trois (3) DEL sont allumées en vert en continu	État de charge : de 70 % à 51 %
Deux (2) DEL sont allumées en vert en continu	État de charge : de 50 % à 26 %
Une (1) DEL est allumée en vert en continu	État de charge : de 25 % à 10 %
Une (1) DEL clignote lentement en vert	État de charge : < 10 %
Une (1) DEL clignote rapidement en vert	L'accu Li-Ion est entièrement déchargé. Charger l'accu. Si la DEL continue de clignoter rapidement après la charge de l'accu, s'adresser au S.A.V. <b>Hilti</b> .
Une (1) DEL clignote rapidement en jaune	L'accu Li-Ion ou le produit correspondant est surchargé, trop chaud, trop froid ou il y a un autre défaut. Amener le produit et l'accu à la température de travail recommandée et ne pas surcharger le produit pendant son utilisation. Si le message ne disparaît pas, s'adresser au S.A.V. <b>Hilti</b> .
Une (1) DEL est allumée en jaune	L'accu Li-Ion ainsi que le produit connecté ne sont pas compatibles. Merci de s'adresser au S.A.V. <b>Hilti</b> .
Une (1) DEL clignote rapidement en rouge	L'accu Li-Ion est verrouillé et ne peut plus être utilisé. Merci de s'adresser au S.A.V. <b>Hilti</b> .

#### 3.4.2 Affichages de l'état de l'accu

Pour consulter l'état de l'accu, maintenir la touche de déverrouillage enfoncée pendant plus de trois secondes. Le système ne détecte aucun dysfonctionnement potentiel de la batterie dû à une utilisation incorrecte, par ex. chute, piqûres, dommages externes dus à la chaleur, etc.

État	Signification
Toutes les DEL forment un chenillard, puis une (1) DEL est allumée en vert en continu.	L'accu peut continuer à être utilisé.
Toutes les DEL forment un chenillard, puis une (1) DEL clignote rapidement en jaune.	L'interrogation de l'état de l'accu n'a pas pu être terminée. Répéter la procédure ou s'adresser au S.A.V. <b>Hilti</b> .
Toutes les DEL forment un chenillard, puis une (1) DEL est allumée en rouge en continu.	Si un produit raccordé peut continuer à être utilisé, la capacité résiduelle de l'accu est inférieure à 50 %. Si un produit raccordé ne peut plus être utilisé, l'accu est arrivé à la fin de sa durée de vie et doit être remplacé. Merci de s'adresser au S.A.V. <b>Hilti</b> .



## 4 Caractéristiques techniques

Poids selon EPTA Procedure 01 sans accu	6,5 kg
Tension de référence	21,6 V
Vitesse de rotation à vide	150 m/min
Profondeur de coupe max.	127 mm
Dimensions produit (Longueur x Largeur x Hauteur)	525 mm x 175 mm x 375 mm
Dimensions du ruban de la scie (Longueur x Largeur x Épaisseur)	1.140 mm x 12,4 mm x 0,5 mm
Température de service en cours de service	-17 °C ... 60 °C
Température de stockage	-20 °C ... 70 °C

### 4.1 Batterie

Tension nominale de l'accu	21,6 V
Poids de l'accu	Voir à la fin de ce mode d'emploi
Température de service en cours de service	-17 °C ... 60 °C
Température de stockage	-20 °C ... 40 °C
Température de l'accu au début de la charge	-10 °C ... 45 °C

### 4.2 Valeurs d'émissions acoustiques et de vibrations selon EN 60745

Les valeurs de pression acoustique et de vibrations triaxiales mentionnées dans ces instructions ont été mesurées conformément à un procédé de mesure normalisé et peuvent être utilisées comme base de comparaison entre outils électroportatifs. Elles servent également à une évaluation préalable de l'exposition aux bruits et aux vibrations. Les indications fournies correspondent aux principales applications de l'outil électroportatif. Ces données peuvent néanmoins différer si l'outil électroportatif est utilisé pour d'autres applications, avec des outils à monter différents ou que l'entretien s'avère insuffisant. Ceci peut augmenter considérablement les contraintes d'exposition dans tout l'espace de travail. Pour une évaluation précise des expositions, il convient également de prendre en compte les temps durant lesquels l'appareil est arrêté ou marche à vide. Ceci peut réduire considérablement les contraintes d'exposition dans tout l'espace de travail. Par ailleurs, il convient de prendre des mesures de sécurité supplémentaires en vue de protéger l'utilisateur des effets du bruit et/ou des vibrations, telles que : bien entretenir l'outil électroportatif ainsi que les outils à monter, maintenir les mains chaudes, optimiser l'organisation des opérations.

#### Valeurs d'émissions acoustiques

Niveau de puissance acoustique ( $L_{WA}$ )	86 dB(A)
Incertitude sur le niveau de puissance acoustique ( $K_{WA}$ )	3 dB(A)
Niveau de puissance acoustique ( $L_{pA}$ )	75 dB(A)
Incertitude sur le niveau de pression acoustique ( $K_{pA}$ )	3 dB(A)

#### Valeurs totales des vibrations

Valeur d'émission des vibrations – Coupe dans le métal (ah,CM)	B 22-55	0,8 m/s <sup>2</sup>
	B 22-255	0,7 m/s <sup>2</sup>
Incertitude (K)		1,5 m/s <sup>2</sup>

## 5 Préparatifs

### AVERTISSEMENT

#### Risque de blessures du fait d'une mise en marche inopinée !

- ▶ Avant d'insérer l'accu, s'assurer que le produit correspondant est bien sur arrêt.
- ▶ Retirer le bloc-accu, avant d'effectuer des réglages sur l'appareil ou de changer les accessoires.

Bien respecter les consignes de sécurité et les avertissements de la présente documentation ainsi que celles figurant sur le produit.



## 5.1 Recharge de l'accu

1. Avant de commencer la charge, lire le mode d'emploi du chargeur.
2. Veiller à ce que les contacts de l'accu et du chargeur sont propres et secs.
3. Charger l'accu à l'aide d'un chargeur homologué. → Page 20

## 5.2 Introduction de l'accu

### AVERTISSEMENT

#### Risque de blessures du fait d'un court-circuit ou de la chute de l'accu !

- ▶ Avant d'insérer l'accu dans l'appareil, s'assurer que les contacts de l'accu et les contacts sur le produit sont exempts de corps étrangers.
- ▶ S'assurer que l'accu s'encliquette toujours correctement.

1. L'accu doit être entièrement chargé avant la première mise en service.
2. Introduire l'accu dans le produit jusqu'à ce qu'il s'enclenche de manière audible.
3. Vérifier que l'accu est bien en place.

## 5.3 Retrait de l'accu

1. Appuyer sur la touche de déverrouillage de l'accu.
2. Retirer l'accu hors du produit.

## 5.4 Remplacer le ruban de la scie

### AVERTISSEMENT

**Risque de blessure dû au ruban de la scie.** Le ruban de la scie peut être brûlant et/ou présenter des arêtes vives et peut se rompre dans certaines conditions.

- ▶ Porter des gants et des lunettes de protection lors du travail et lors du remplacement du ruban de la scie.
- ▶ Utiliser la scie à ruban uniquement lorsque le couvercle du ruban de la scie est correctement installé.
- ▶ Ne jamais poser une scie à ruban utilisée sur un support inflammable.

### ATTENTION

**Dompage matériel dû à un mauvais ruban de scie.** Un mauvais ruban de scie peut entraîner une fatigue prématurée du matériau et endommager la scie à ruban.

- ▶ Choisir le ruban de scie approprié à la scie à ruban et au matériau.
- ▶ Choisir le ruban de scie avec un pas de dent correct (dents par pouce) pour le matériau à scier : un pas de dent plus élevé pour les matériaux durs/fins ; un pas de dent moins élevé pour les matériaux tendres/épais.
- ▶ Utiliser uniquement des rubans d'une épaisseur de 0,5 mm. Des rubans de scie plus épais entraînent une charge de flexion plus élevée et une usure plus rapide des dents de scie.
- ▶ Choisir le ruban de scie de manière à ce qu'au moins deux dents reposent sur la pièce à travailler.
- ▶ Utiliser exclusivement des rubans de scie de dimensions 1140 mm × 12,5 mm × 0,5 mm.

1. Dévisser les vis des deux couvercles de ruban de la scie.
2. Retirer les deux couvercles de ruban de la scie.
3. Tourner le levier tendeur jusqu'en butée.
  - ▶ Le ruban de la scie est détendu.
4. Retirer l'ancien ruban du guidage et l'éliminer.
5. Placer le nouveau ruban dans le guidage du ruban de la scie.
6. Faire passer le nouveau ruban de scie autour des deux poulies.
7. Placer le nouveau ruban dans la goulotte de guidage du ruban de la scie.
8. Vérifier le positionnement correct du ruban de la scie.
9. Tourner le levier tendeur jusqu'en butée.
  - ▶ Le ruban de la scie est tendu.
10. Poser les deux couvercles de ruban de la scie.
11. Serrer les vis des deux couvercles de ruban de la scie.



## 5.5 Sécurité anti-chute

### AVERTISSEMENT

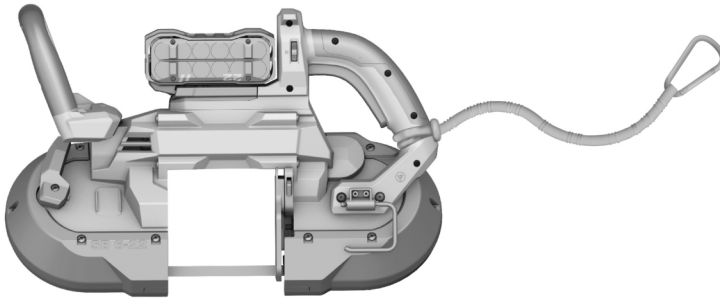
**Risque de blessures** en cas de chute de l'outil et/ou des accessoires !

- ▶ Utiliser uniquement la longe porte-outil **Hilti** recommandée pour votre produit.
- ▶ Contrôler l'état du point de fixation de la longe porte-outil avant chaque utilisation.



Respecter les directives nationales en vigueur pour les travaux en hauteur.

Comme protection anti-chute pour ce produit, utiliser exclusivement la longe porte-outil **Hilti** #2261971.



- ▶ Fixer la longe porte-outil au produit avec la boucle, comme illustré. Vérifier qu'elle tient bien.
- ▶ Fixer le mousqueton à une structure porteuse. Vérifier que le mousqueton tient bien.



Respecter le mode d'emploi de la longe porte-outil **Hilti**.

## 6 Utilisation

Bien respecter les consignes de sécurité et les avertissements de la présente documentation ainsi que celles figurant sur le produit.

### 6.1 Régler le guide de coupe

1. Appuyer sur le verrouillage du guide de coupe et le maintenir enfoncé.
2. Déplacer le guide de coupe vers la hauteur souhaitée.
3. Relâcher le verrouillage du guide de coupe.

### 6.2 Sciage

#### AVERTISSEMENT

**Risque de blessures** dû à un contrecoup de la scie à ruban.

- ▶ Fixer la pièce à travailler, par exemple dans un étau, avant de scier.
- ▶ Orienter la scie à ruban et la pièce à travailler l'une vers l'autre.

#### AVERTISSEMENT

**Risque de blessures** car la scie continue de tourner.

- ▶ Relever le produit de la pièce travaillée seulement une fois qu'il est complètement arrêté.
- ▶ Attendre jusqu'à ce que le produit soit complètement arrêté avant de le déposer.



**⚠ AVERTISSEMENT**

**Risque de blessure dû au ruban de la scie.** Le ruban de la scie peut être brûlant et/ou présenter des arêtes vives et peut se rompre dans certaines conditions.

- ▶ Porter des gants et des lunettes de protection lors du travail et lors du remplacement du ruban de la scie.
- ▶ Utiliser la scie à ruban uniquement lorsque le couvercle du ruban de la scie est correctement installé.
- ▶ Ne jamais poser une scie à ruban utilisée sur un support inflammable.

**⚠ ATTENTION**

**Dompage matériel dû à un mauvais ruban de scie.** Un mauvais ruban de scie peut entraîner une fatigue prématurée du matériau et endommager la scie à ruban.

- ▶ Choisir le ruban de scie approprié à la scie à ruban et au matériau.
- ▶ Choisir le ruban de scie avec un pas de dent correct (dents par pouce) pour le matériau à scier : un pas de dent plus élevé pour les matériaux durs/fins ; un pas de dent moins élevé pour les matériaux tendres/épais.
- ▶ Utiliser uniquement des rubans d'une épaisseur de 0,5 mm. Des rubans de scie plus épais entraînent une charge de flexion plus élevée et une usure plus rapide des dents de scie.
- ▶ Choisir le ruban de scie de manière à ce qu'au moins deux dents reposent sur la pièce à travailler.
- ▶ Utiliser exclusivement des rubans de scie de dimensions 1140 mm × 12,5 mm × 0,5 mm.

Vérifier régulièrement que la bague en caoutchouc n'est pas endommagée.

Après chaque utilisation, nettoyer les couvercles du ruban de la scie et le guide de coupe pour éliminer la poussière et les copeaux afin de prolonger la durée de vie de la scie à ruban.



Pour démarrer la scie à ruban, vous devez : d'abord appuyer sur l'interrupteur de commande, puis sur l'interrupteur de sécurité et les maintenir enfoncés simultanément.



Le propre poids de la scie à ruban est suffisant pour effectuer la coupe. Ne pas exercer de pression supplémentaire sur la scie à ruban.

1. Si nécessaire, remplacer la bague en caoutchouc. → Page 26
2. Si nécessaire, remplacer le ruban de la scie. → Page 23
3. Appuyer sur le variateur de vitesse et le maintenir enfoncé.
4. Appuyer sur l'interrupteur de sécurité et le maintenir enfoncé.
5. Présenter la scie à ruban sur la pièce à travailler de manière à ce que le plus grand nombre possible de dents de scie reposent sur la pièce.
6. Réaliser le sciage.



Guider la scie à ruban de manière à ce qu'il reste dans la mesure du possible toujours trois dents de scie dans la coupe.

7. Relâcher le variateur électronique de vitesse.

## 7 Nettoyage et entretien

**⚠ AVERTISSEMENT**

**Risque de blessures lorsque l'accu est inséré !**

- ▶ Toujours retirer l'accu avant tous travaux de nettoyage et d'entretien !

### Entretien du produit

- Éliminer avec précaution les saletés récalcitrantes.
- Le cas échéant, nettoyer soigneusement les ouïes d'aération à l'aide d'une brosse sèche et douce.
- Nettoyer le carter de l'appareil uniquement avec un chiffon légèrement humide. Ne pas utiliser de nettoyeurs à base de silicone car ceci pourrait attaquer les pièces en plastique.
- Utiliser un chiffon propre et sec pour nettoyer les contacts du produit.



## Entretien des accus Li-ion

- Ne jamais utiliser un accu dont les ouïes d'aération sont bouchées. Nettoyer soigneusement les ouïes d'aération à l'aide d'une brosse sèche et douce.
- Éviter d'exposer inutilement l'accu à la poussière ou à la saleté. Ne jamais exposer l'accu à une forte humidité (par exemple en l'immergeant dans de l'eau ou en le laissant sous la pluie).  
Si l'accu a été trempé, le traiter comme un accu endommagé. L'isoler dans un récipient ininflammable et s'adresser au S.A.V. **Hilti**.
- Veiller à ce que l'accu soit toujours exempt de traces de graisse et d'huile étrangères. Ne pas laisser de la poussière ou de la saleté s'accumuler inutilement sur l'accu. Nettoyer l'accu avec une brosse sèche et douce ou un chiffon propre et sec. Ne pas utiliser de nettoyeurs à base de silicone car ceci pourrait attaquer les pièces en plastique.  
Ne pas toucher les contacts de l'accu et ne pas enlever la graisse appliquée en usine sur les contacts.
- Nettoyer le carter de l'appareil uniquement avec un chiffon légèrement humide. Ne pas utiliser de nettoyeurs à base de silicone car ceci pourrait attaquer les pièces en plastique.

## Entretien

- Vérifier régulièrement qu'aucune pièce visible n'est endommagée et que les organes de commande sont parfaitement opérationnels.
- Ne pas utiliser le produit en cas d'endommagements et/ou de dysfonctionnements. Faire immédiatement réparer le produit par le S.A.V. **Hilti**.
- Après des travaux de nettoyage et d'entretien, vérifier si tous les équipements de protection sont bien en place et fonctionnent parfaitement.



Pour une utilisation en toute sécurité, utiliser uniquement des pièces de rechange et consommables d'origine. Vous trouverez les pièces de rechange, consommables et accessoires autorisés par **Hilti** convenant pour votre produit dans le centre **Hilti Store** ou sous : [www.hilti.group](http://www.hilti.group)

### 7.1 Remplacer le couvercle de ruban de la scie



Remplacer le couvercle du ruban de la scie dès que des dommages sont constatés.

1. Dévisser les vis du couvercle de ruban de la scie.
2. Retirer et éliminer le couvercle de ruban de la scie défectueux.
3. Placer le nouveau couvercle de ruban de scie sur la scie à ruban.
4. Serrer les vis du couvercle du ruban de scie à 2 à 3 Nm.

### 7.2 Remplacer la bague en caoutchouc



Remplacer la bague en caoutchouc dès que des dommages sont constatés.

1. Démontez le ruban de la scie → Page 23.
2. Retirer la bague en caoutchouc.
3. Vérifier que les rainures de guidage ne sont pas encrassées et, le cas échéant, les nettoyer.
4. Tendre la nouvelle bague d'étanchéité sur la poulie du ruban de la scie.
5. Aligner la bague en caoutchouc jusqu'à ce qu'elle soit entièrement en contact avec les rainures de guidage.
6. Remonter le ruban de la scie. → Page 23

### 7.3 Remplacer le guide du ruban de la scie



Remplacer le guide du ruban de la scie dès que des dommages sont constatés, par ex. lorsque le lame de scie a laissé une rainure fraisée.

1. Démontez le ruban de la scie → Page 23.
2. Dévisser les deux vis du guide du ruban de la scie.
3. Retirer le guide de ruban de scie défectueux de la scie à ruban et l'éliminer.
4. Placer le nouveau guide de ruban de scie dans la scie à ruban.





5. Serrer les deux vis du guide de ruban de scie à 2 à 3 Nm.
6. Remonter le ruban de la scie. → Page 23

#### 7.4 Remplacer la plaque support



Remplacer la plaque support dès que la lame de scie frotte ou se coince.

1. Démontez le ruban de la scie → Page 23.
2. Desserrer la vis de la plaque support.
3. Retirer la plaque support défectueuse de la scie à ruban et l'éliminer.
4. Placer la nouvelle plaque support dans la scie à ruban.
5. Serrer les vis de la plaque support à 2 à 3 Nm.
6. Remonter le ruban de la scie. → Page 23

## 8 Transport et stockage des outils sur accu et des accus

### Transport

#### ATTENTION

#### Mise en marche inopinée lors du transport !

- ▶ Toujours retirer les accus avant de transporter les produits !
- ▶ Retirer le ou les accus.
- ▶ Ne jamais transporter les accus en vrac. Pendant le transport, les accus doivent être protégés des vibrations et chocs excessifs, isolés de tout matériau conducteur ou autre accu, pour éviter qu'ils n'entrent en contact avec d'autres pôles de batterie et qu'ils provoquent un court-circuit. **Tenir compte des prescriptions locales pour le transport d'accus.**
- ▶ Ne pas envoyer les accus par la poste. S'adresser à un service d'expédition s'il faut envoyer des accus non endommagés.
- ▶ Contrôler l'état du produit et des accus avant chaque utilisation, ainsi qu'avant et après tout transport prolongé.

### Stockage

#### AVERTISSEMENT

#### Endommagement involontaire du fait d'accus défectueux ou de chute d'accu !

- ▶ Toujours retirer les accus avant de stocker les produits !
- ▶ Stocker si possible le produit et les accus dans un endroit sec et frais. Respecter les valeurs limites de température indiquées dans les caractéristiques techniques.
- ▶ Ne pas stocker les accus sur le chargeur. Retirer toujours l'accu du chargeur après la charge.
- ▶ Ne jamais stocker les accus exposés au soleil, sur des sources de chaleur ou derrière des vitres.
- ▶ Stocker le produit et les accus à l'abri des enfants et des personnes non autorisées.
- ▶ Contrôler l'état du produit et des accus avant chaque utilisation, ainsi qu'avant et après tout stockage prolongé.

## 9 Aide au dépannage

En cas de dysfonctionnements, tenir compte de l'indicateur d'état de l'accu. Voir le chapitre **Affichages de l'accu Li-Ion**.

En cas de défaillances non énumérées dans ce tableau ou auxquelles il n'est pas possible de remédier sans aide, contacter le S.A.V. **Hilti**.

Défaillance	Causes possibles	Solution
Le produit n'atteint pas la pleine puissance.	Le variateur électronique de vitesse n'est pas complètement enfoncé.	▶ Enfoncer complètement le variateur électronique de vitesse.
Mise en marche impossible du produit.	Sécurité anti-démarrage non actionnée.	▶ Actionner la sécurité anti-démarrage.



Défaillance	Causes possibles	Solution
Le produit ne se met pas en marche.	Le ruban de la scie se bloque	► Vérifier si le ruban de la scie est monté correctement et/ou s'il est endommagé.
Les DEL de l'accu n'indiquent rien	L'accu est défectueux	► S'adresser au S.A.V. <b>Hilti</b> .

## 10 Recyclage

### AVERTISSEMENT

**Risque de blessures en cas d'élimination incorrecte !** Émanations possibles de gaz et de liquides nocives pour la santé.

- Ne pas envoyer ni expédier d'accus endommagés !
- Recouvrir les raccordements avec un matériau non conducteur pour éviter tout court-circuit.
- Éliminer les accus en veillant à ce qu'ils soient hors de la portée des enfants.
- Éliminer l'accu en le déposant auprès du **Hilti Store** local ou s'adresser à l'entreprise de collecte des déchets compétente.

Les produits **Hilti** sont fabriqués pour une grande partie en matériaux recyclables. Le recyclage présuppose un tri adéquat des matériaux. **Hilti** reprend les appareils usagés dans de nombreux pays en vue de leur recyclage. Consulter le service clients **Hilti** ou un conseiller commercial.



- Ne pas jeter les appareils électriques, électroniques et accus dans les ordures ménagères !

## 11 Garantie constructeur

- En cas de questions sur les conditions de garantie, veuillez vous adresser à votre partenaire **Hilti** local.

## 12 Informations complémentaires

Des informations complémentaires concernant l'utilisation, la technique, l'environnement et le recyclage sont disponibles sous le lien ci-dessous : [qr.hilti.com/manual/?id=2354065&id=2354067](https://qr.hilti.com/manual/?id=2354065&id=2354067)

Ce lien figure également à la fin de la documentation sous forme de code QR.

# Manual de instrucciones original

## 1 Información sobre el manual de instrucciones

### 1.1 Acerca de este manual de instrucciones

- Lea detenidamente este manual de instrucciones antes de la puesta en servicio. Ello es imprescindible para un trabajo seguro y un manejo sin problemas.
- Observe las indicaciones y advertencias de seguridad en este manual de instrucciones y en el producto.
- Conserve este manual de instrucciones siempre junto con el producto y entregue el producto a otras personas siempre acompañado de este manual de instrucciones.

### 1.2 Explicación de símbolos

#### 1.2.1 Avisos

Las advertencias de seguridad advierten de peligros derivados del manejo del producto. Se utilizan las siguientes palabras de peligro:

### PELIGRO

#### PELIGRO !

- Término utilizado para un peligro inminente que puede ocasionar lesiones graves o incluso la muerte.



## ⚠️ ADVERTENCIA

### ADVERTENCIA !

- ▶ Término utilizado para un posible peligro que puede ocasionar lesiones graves o incluso la muerte.

## ⚠️ PRECAUCIÓN

### PRECAUCIÓN !

- ▶ Término utilizado para una posible situación peligrosa que puede ocasionar lesiones o daños materiales.

### 1.2.2 Símbolos en el manual de instrucciones

En este manual de instrucciones se utilizan los siguientes símbolos:

	Consulte el manual de instrucciones
	Indicaciones de uso y demás información de interés
	Manejo con materiales reutilizables
	No tire las herramientas eléctricas y las baterías junto con los desperdicios domésticos
	Hilti Batería de Ion-Litio
	Hilti Cargador

### 1.2.3 Símbolos en las figuras

En las figuras se utilizan los siguientes símbolos:

	Estos números hacen referencia a la figura correspondiente incluida al principio de este manual de instrucciones.
3	La numeración describe el orden de los pasos de trabajo en la imagen y puede ser diferente de los pasos descritos en el texto.
	En la figura <b>Vista general</b> se utilizan números de posición y los números de la leyenda están explicados en el apartado <b>Vista general del producto</b> .
	Preste especial atención a este símbolo cuando utilice el producto.

## 1.3 Símbolos de productos

### 1.3.1 Símbolos en el producto

En el producto se pueden utilizar los siguientes símbolos:

	Corriente continua
	Flecha de sentido de giro
	El producto es apto para tecnología NFC, que es compatible con las plataformas iOS y Android.
Li-Ion	Batería de Ion-Litio
	Nunca golpee la batería con un objeto ni utilice la batería como herramienta de percusión.
	No deje que la batería se caiga. No utilice baterías que hayan recibido algún golpe ni que estén dañadas de alguna otra forma.

## 1.4 Información del producto

Los productos han sido diseñados para usuarios profesionales y solo personal autorizado y debidamente formado puede utilizarlos y llevar a cabo su mantenimiento y conservación. Este personal debe estar especialmente instruido en lo referente a los riesgos de uso. La utilización del producto y sus



dispositivos auxiliares puede conllevar riesgos para el usuario en caso de manejarse de forma inadecuada por personal no cualificado o utilizarse para usos diferentes a los que están destinados.

La denominación del modelo y el número de serie están indicados en la placa de identificación.

- ▶ Escriba el número de serie en la siguiente tabla. Necesitará los datos del producto para realizar consultas a nuestros representantes o al Departamento de Servicio Técnico.

**Datos del producto**

Sierra de cinta a batería	SB 6-22
Generación	01
N.º de serie	

**1.5 Declaración de conformidad**

Bajo su exclusiva responsabilidad, el fabricante declara que el producto aquí descrito cumple con la legislación y normas vigentes. Encontrará una reproducción de la declaración de conformidad al final de esta documentación.

La documentación técnica se encuentra depositada aquí:

Hilti Entwicklungsgesellschaft mbH | Zulassung Geräte | Hiltistraße 6 | 86916 Kaufering, DE

**2 Seguridad**

**2.1 Indicaciones generales de seguridad para herramientas eléctricas**

**⚠ ADVERTENCIA** Lea con atención todas las indicaciones de seguridad, instrucciones, ilustraciones y datos técnicos correspondientes a esta herramienta eléctrica. La negligencia en el cumplimiento de las instrucciones que se describen a continuación podría provocar descargas eléctricas, incendios o lesiones graves.

**Conservar todas las instrucciones e indicaciones de seguridad para futuras consultas.**

El término «herramienta eléctrica» empleado en las indicaciones de seguridad se refiere a herramientas eléctricas portátiles, ya sea con cable de red o sin cable, en caso de ser accionadas por batería.

**Seguridad en el puesto de trabajo**

- ▶ **Mantenga su área de trabajo limpia y bien iluminada.** El desorden o una iluminación deficiente de las zonas de trabajo pueden provocar accidentes.
- ▶ **No utilice la herramienta eléctrica en un entorno con peligro de explosión en el que se encuentren líquidos, gases o polvos inflamables.** Las herramientas eléctricas producen chispas que pueden llegar a inflamar los materiales en polvo o vapores.
- ▶ **Mantenga alejados a los niños y otras personas de su puesto de trabajo al emplear la herramienta eléctrica.** Una distracción le puede hacer perder el control sobre la herramienta.

**Seguridad eléctrica**

- ▶ **El enchufe de la herramienta eléctrica debe corresponder a la toma de corriente utilizada. No se deberá modificar el enchufe en forma alguna. No utilice enchufes adaptadores para las herramientas eléctricas con puesta a tierra.** Los enchufes sin modificar adecuados a las respectivas tomas de corriente reducen el riesgo de descarga eléctrica.
- ▶ **Evite el contacto corporal con superficies que tengan puesta a tierra, como pueden ser tubos, calefacciones, cocinas y frigoríficos.** El riesgo a quedar expuesto a una sacudida eléctrica es mayor si su cuerpo tiene contacto con tierra.
- ▶ **No exponga las herramientas eléctricas a la lluvia y evite que penetren líquidos en su interior.** El riesgo de recibir descargas eléctricas aumenta si penetra agua en la herramienta eléctrica.
- ▶ **No utilice el cable de conexión para transportar o colgar la herramienta eléctrica ni tire de él para extraer el enchufe de la toma de corriente. Mantenga el cable de conexión alejado de fuentes de calor, aceite, aristas afiladas o piezas móviles.** Los cables de conexión dañados o enredados pueden provocar descargas eléctricas.
- ▶ **Cuando trabaje al aire libre con una herramienta eléctrica, utilice exclusivamente un alargador adecuado para exteriores.** La utilización de un alargador adecuado para su uso en exteriores evita el riesgo de una descarga eléctrica.
- ▶ **Cuando no pueda evitarse el uso de la herramienta eléctrica en un entorno húmedo, utilice un interruptor de corriente de defecto.** La utilización de un interruptor de corriente de defecto evita el riesgo de una descarga eléctrica.



## Seguridad de las personas

- ▶ **Permanezca atento, preste atención durante el trabajo y utilice la herramienta eléctrica con prudencia. No utilice una herramienta eléctrica si está cansado, ni tampoco después de haber consumido alcohol, drogas o medicamentos.** Un momento de descuido al utilizar la herramienta eléctrica podría producir graves lesiones.
- ▶ **Utilice el equipo de seguridad personal adecuado y lleve siempre gafas protectoras.** El riesgo de lesiones se reduce considerablemente si, según el tipo y la aplicación de la herramienta eléctrica empleada, se utiliza un equipo de seguridad personal adecuado como una mascarilla antipolvo, zapatos de seguridad con suela antideslizante, casco de protección o protección para los oídos.
- ▶ **Evite una puesta en servicio fortuita de la herramienta. Asegúrese de que la herramienta eléctrica está apagada antes de alzarla, transportarla, conectarla a la toma de corriente o insertar la batería.** Si transporta la herramienta eléctrica sujetándola por el interruptor de conexión/desconexión o si introduce el enchufe en la toma de corriente con la herramienta conectada, podría producirse un accidente.
- ▶ **Retire las herramientas de ajuste o llaves fijas antes de conectar la herramienta eléctrica.** Una herramienta o llave colocada en una pieza giratoria puede producir lesiones al ponerse en funcionamiento.
- ▶ **Evite adoptar posturas forzadas. Procure que la postura sea estable y manténgase siempre en equilibrio.** De esta forma podrá controlar mejor la herramienta eléctrica en caso de presentarse una situación inesperada.
- ▶ **Utilice ropa adecuada. No utilice vestimenta amplia ni joyas. Mantenga su pelo, vestimenta y guantes alejados de las piezas móviles.** La vestimenta suelta, las joyas y el pelo largo se pueden enganchar con las piezas en movimiento.
- ▶ **Siempre que sea posible montar equipos de aspiración o captación de polvo, asegúrese de que están conectados y de que se utilizan correctamente.** El uso de un sistema de aspiración de polvo reduce los riesgos derivados del polvo.
- ▶ **No se crea a salvo de cualquier riesgo ni pase por alto ninguna de las normas de seguridad relativas a las herramientas eléctricas, aun cuando esté familiarizado con la herramienta eléctrica y tenga larga experiencia en su uso.** Una actuación negligente puede provocar lesiones graves en cuestión de segundos.

## Uso y manejo de la herramienta eléctrica

- ▶ **No sobrecargue la herramienta. Utilice la herramienta eléctrica adecuada para el trabajo que se dispone a realizar.** Con la herramienta eléctrica apropiada podrá trabajar mejor y de modo más seguro dentro del margen de potencia indicado.
- ▶ **No utilice herramientas eléctricas con el interruptor defectuoso.** Las herramientas eléctricas que no se puedan conectar o desconectar son peligrosas y deben repararse.
- ▶ **Extraiga el enchufe de la toma de corriente o retire la batería extraíble antes de efectuar cualquier ajuste en la herramienta, cambiar accesorios o en caso de no utilizar la herramienta durante un tiempo prolongado.** Esta medida preventiva evita el riesgo de arranque accidental de la herramienta eléctrica.
- ▶ **Guarde las herramientas eléctricas que no utilice fuera del alcance de los niños. No permita utilizar la herramienta a ninguna persona que no esté familiarizada con ella o que no haya leído este manual de instrucciones.** Las herramientas eléctricas utilizadas por personas inexpertas son peligrosas.
- ▶ **Cuide su herramienta eléctrica y los accesorios adecuadamente. Compruebe si las piezas móviles de la herramienta funcionan correctamente y sin atascarse, y si existen piezas rotas o deterioradas que pudieran afectar al funcionamiento de la herramienta eléctrica. Encargue la reparación de las piezas defectuosas antes de usar la herramienta eléctrica.** Muchos accidentes son consecuencia de un mantenimiento inadecuado de la herramienta eléctrica.
- ▶ **Mantenga los útiles limpios y afilados.** Las herramientas de corte bien cuidadas y con aristas afiladas se atascan menos y se guían con más facilidad.
- ▶ **Utilice la herramienta eléctrica, los accesorios, útiles de inserción, etc., de acuerdo con estas instrucciones. Para ello, tenga en cuenta las condiciones de trabajo y la tarea que se va a realizar.** El uso de herramientas eléctricas para trabajos diferentes de aquellos para los que han sido concebidas puede resultar peligroso.
- ▶ **Mantenga las empuñaduras y las superficies de contacto secas, limpias y sin residuos de aceite o grasa.** Las empuñaduras y superficies de contacto resbaladizas impiden manejar y controlar la herramienta eléctrica con seguridad en situaciones imprevistas.

## Uso y manejo de la herramienta de batería

- ▶ **Cargue las baterías únicamente con los cargadores recomendados por el fabricante.** Existe riesgo de incendio al intentar cargar baterías de un tipo diferente al previsto para el cargador.



- ▶ **Utilice únicamente las baterías previstas para la herramienta eléctrica.** El uso de otro tipo de baterías puede provocar daños e incluso incendios.
- ▶ **Si no utiliza la batería, guárdela separada de clips, monedas, llaves, clavos, tornillos y demás objetos metálicos que pudieran puentear sus contactos.** El cortocircuito de los contactos de la batería puede causar quemaduras o incendios.
- ▶ **La utilización inadecuada de la batería puede provocar fugas de líquido. Evite el contacto con este líquido. En caso de contacto accidental, enjuague el área afectada con abundante agua. En caso de contacto con los ojos, acuda además inmediatamente a un médico.** El líquido de la batería puede irritar la piel o producir quemaduras.
- ▶ **No utilice baterías dañadas o modificadas.** Una batería dañada o modificada puede tener un comportamiento imprevisible y provocar incendios, explosiones o riesgo de lesiones.
- ▶ **No exponga la batería al fuego o a temperaturas muy elevadas.** El fuego o las temperaturas superiores a 130 °C (265 °F) pueden provocar una explosión.
- ▶ **Siga todas las instrucciones relativas a la carga y no cargue nunca la batería o la herramienta de batería excediendo el rango de temperatura indicado en el manual de instrucciones.** Una carga incorrecta o fuera del rango de temperatura permitido puede destruir la batería y aumentar el riesgo de incendio.

### Servicio Técnico

- ▶ **Solicite que un profesional lleve a cabo la reparación de su herramienta eléctrica y que utilice exclusivamente piezas de reemplazo originales.** Solamente así se garantiza la seguridad de la herramienta.
- ▶ **No realice nunca el mantenimiento de baterías dañadas.** Cualquier mantenimiento de las baterías debe llevarlo a cabo el fabricante o un centro del Servicio de Atención al Cliente autorizado.

## 2.2 Indicaciones de seguridad para sierras de cinta

- ▶ **Sujete la herramienta eléctrica por las empuñaduras aisladas cuando realice trabajos en los que el útil de inserción puede entrar en contacto con cables eléctricos ocultos.** El contacto con los cables conductores puede traspasar la conductividad a las partes metálicas y producir descargas eléctricas.

## 2.3 Indicaciones de seguridad adicionales

- ▶ Mantenga las manos alejadas del área de corte y de la cinta de sierra. Sujete la empuñadura del interruptor de seguridad con la otra mano. Si sujeta la sierra con ambas manos, no correrá peligro de lesionarse al usar la sierra.
- ▶ Utilice el producto y los accesorios solo si están en perfecto estado técnico.
- ▶ No efectúe nunca manipulaciones o modificaciones en el producto ni en los accesorios.
- ▶ No conecte el producto hasta que este se encuentre en la posición de trabajo.
- ▶ Evite tocar las piezas en movimiento, ya que existe riesgo de lesiones.
- ▶ Tenga cuidado al levantar o transportar el producto: la cinta de sierra está afilada y podría provocar cortes o daños materiales.
- ▶ Cuando utilice el producto, lleve protección para los ojos, casco de protección y protección para los oídos.
- ▶ Utilice guantes de protección para cambiar el útil. El contacto con el útil de inserción puede producir cortes y quemaduras.
- ▶ El polvo que se genera al pulir, lijar, cortar y taladrar puede contener productos químicos peligrosos, como, por ejemplo, plomo o pinturas basadas en plomo; ladrillos, hormigón y otros productos de mampostería, piedra natural y otros productos que contengan silicatos; determinadas maderas, como el roble o el haya o las maderas tratadas químicamente, o amianto o materiales que contengan asbesto. La exposición del usuario y las personas circundantes debe regularse según la clase de peligro de los materiales con los que se trabaje. Tome las medidas necesarias para mantener la exposición a un nivel seguro, p. ej., mediante el uso de un sistema de recogida de polvo o una mascarilla adecuada. Las medidas genéricas para reducir la exposición son, entre otras:
  - ▶ trabajar en un espacio bien ventilado;
  - ▶ evitar el contacto prolongado con el polvo;
  - ▶ desviar el polvo de la cara y el cuerpo;
  - ▶ usar prendas protectoras y lavar con agua y jabón las zonas expuestas.
- ▶ Para evitar lesiones, asegúrese de que la cubierta de la sierra de cinta esté correctamente instalada antes de su uso.
- ▶ Utilice siempre un tope o una guía para ángulos rectos al realizar cortes longitudinales. De este modo se incrementa la exactitud del corte y se reduce el riesgo de atasco de la hoja de sierra.



- ▶ En ningún caso sujete la pieza de trabajo con las manos o con otra parte corporal. Fije la pieza de trabajo sobre una superficie estable. Una buena sujeción de la pieza de trabajo es muy importante para reducir el riesgo de atasco de la hoja de sierra o de pérdida de control sobre la herramienta.
- ▶ Sujete el producto con firmeza siempre con ambas manos por las empuñaduras previstas manteniendo los brazos en una posición que le permita hacer frente a las fuerzas de rebote.
- ▶ Mantenga las empuñaduras secas, limpias y sin residuos de aceite o grasa.
- ▶ Mantenga la hoja de sierra a un lado y no la coloque en línea con su cuerpo. La sierra puede retroceder bruscamente al rebotar.
- ▶ Asegúrese de trabajar en una posición segura, sobre todo al realizar trabajos por encima de la cabeza. Una rotura repentina podría desequilibrarle.
- ▶ Al realizar trabajos de perforación, asegure ambos lados de la pieza de trabajo. Pueden caer cascotes y provocar lesiones.
- ▶ Si la hoja de sierra se atasca o el trabajo se interrumpe, desconecte la sierra y espere hasta que la hoja de sierra se detenga. Nunca intente extraer la sierra de la pieza de trabajo ni tirar de ella hacia atrás mientras la hoja de sierra esté en funcionamiento, ya que de lo contrario puede rebotar.
- ▶ Para continuar el trabajo con la sierra insertada en la pieza de trabajo, centre la hoja de sierra en la ranura y compruebe que los dientes no estén enganchados en la pieza de trabajo.
- ▶ Preste especial atención al serrar en paredes o en áreas ocultas. Durante el proceso de serrado, la hoja de sierra puede quedar bloqueada en objetos ocultos y provocar un rebote.
- ▶ Efectúe a menudo pausas y ejercicios para mejorar la circulación de los dedos. Tras muchas horas de trabajo expuesto a las vibraciones intensas, pueden surgir complicaciones en los vasos sanguíneos o en el sistema nervioso en dedos, manos o articulaciones de las manos.
- ▶ No mire directamente hacia la luz (LED) del producto y no apunte la luz a la cara de otras personas. Existe riesgo de deslumbramiento.
- ▶ Antes de comenzar a serrar, asegúrese de que la cinta de sierra esté correctamente montada. Una cinta de sierra mal montada podría agarrarse y provocar rebotes.
- ▶ - Riesgo de lesiones en caso de caída de herramientas o accesorios. Antes de iniciar el trabajo, compruebe que la batería y los accesorios montados estén bien fijados.

### Seguridad eléctrica

- ▶ Antes de empezar a trabajar, compruebe si la zona de trabajo oculta cables eléctricos, tuberías de gas o cañerías de agua. Las partes metálicas exteriores del producto pueden provocar una descarga eléctrica o una explosión si se daña un cable eléctrico, una tubería de gas o una cañería de agua.
- ▶ Al cortar tuberías, por ejemplo cuando realice trabajos de derribo e instalación, asegúrese de que ya no contienen líquidos y vacíelas en caso necesario. Cuando corte tuberías, mantenga el producto por encima de la pieza que desea cortar. El producto no está dotado de ninguna protección contra la penetración de humedad.

### Manipulación y utilización segura de las herramientas eléctricas

- ▶ Utilice exclusivamente cintas de sierra del tamaño especificado.
- ▶ No utilice cintas de sierra desafiladas o dañadas. Esto podría provocar una elevada fricción, un atasco o un rebote de la cinta de sierra.
- ▶ Consulte las indicaciones del fabricante sobre el manejo y conservación de las cintas de sierra.

## 2.4 Manipulación y utilización segura de las baterías

- ▶ **Tenga en cuenta las siguientes indicaciones de seguridad para el manejo y el uso seguros de las baterías de Ion-Litio.** En caso de no respetarlas, puede llevar a irritación de la piel, lesiones corrosivas graves, quemaduras químicas, fuego o explosiones.
- ▶ Utilice las baterías solo si están en perfecto estado técnico.
- ▶ Manipule las baterías con cuidado a fin de evitar daños o escapes de líquido altamente peligroso para su salud.
- ▶ Las baterías no deben modificarse ni manipularse en ningún caso.
- ▶ Las baterías no se deben destruir, comprimir, calentar por encima de 80 °C (176 °F) o quemar.
- ▶ No utilice ni cargue baterías que hayan recibido algún golpe ni que estén dañadas de alguna otra forma. Compruebe con regularidad si las baterías presentan signos de daños.
- ▶ No utilice nunca baterías recicladas o reparadas.
- ▶ Nunca utilice la batería o una herramienta eléctrica de batería como herramienta de percusión.
- ▶ No exponga nunca las baterías a radiación solar directa, temperaturas elevadas, chispas o llamas abiertas. Esto puede provocar explosiones.



- ▶ No toque los polos de la batería con los dedos, con herramientas, con joyas o con otros objetos conductores de la electricidad. Esto puede dañar la batería y provocar otros daños materiales y lesiones.
- ▶ Mantenga las baterías alejadas de la lluvia, la humedad y los líquidos. Si entra humedad, pueden producirse cortocircuitos, descargas eléctricas, quemaduras, incendios y explosiones.
- ▶ Utilice únicamente cargadores y herramientas eléctricas concebidos para este tipo de baterías. Para ello, consulte las indicaciones recogidas en el manual de instrucciones correspondiente.
- ▶ No utilice ni almacene la batería en entornos con peligro de explosión.
- ▶ Si al tocar la batería detecta que está muy caliente, puede deberse a una avería en la misma. Coloque la batería en un lugar visible, no inflamable, a suficiente distancia de otros materiales inflamables. Deje que la batería se enfríe. Si, después de una hora, la herramienta sigue estando demasiado caliente para tocarla significa que está averiada. Diríjase al Servicio Técnico de **Hilti** o lea el documento «Indicaciones de seguridad y uso de las baterías de Ion-Litio de **Hilti**».

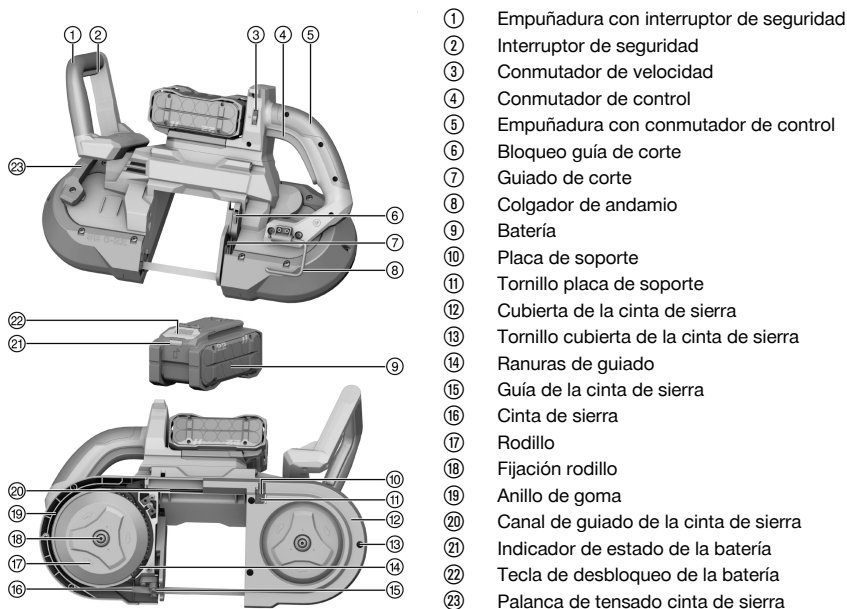


Tenga en cuenta las directivas especiales aplicables al transporte, almacenamiento y uso de las baterías de Ion-Litio. → página 41

Lea las instrucciones de seguridad y uso de las baterías de Ion-Litio de **Hilti**, que puede encontrar escaneando el código QR que se encuentra al final de estas instrucciones de uso.

### 3 Descripción

#### 3.1 Vista general del producto



- ① Empuñadura con interruptor de seguridad
- ② Interruptor de seguridad
- ③ Conmutador de velocidad
- ④ Conmutador de control
- ⑤ Empuñadura con conmutador de control
- ⑥ Bloqueo guía de corte
- ⑦ Guiado de corte
- ⑧ Colgador de andamio
- ⑨ Batería
- ⑩ Placa de soporte
- ⑪ Tornillo placa de soporte
- ⑫ Cubierta de la cinta de sierra
- ⑬ Tornillo cubierta de la cinta de sierra
- ⑭ Ranuras de guiado
- ⑮ Guía de la cinta de sierra
- ⑯ Cinta de sierra
- ⑰ Rodillo
- ⑱ Fijación rodillo
- ⑲ Anillo de goma
- ⑳ Canal de guiado de la cinta de sierra
- ㉑ Indicador de estado de la batería
- ㉒ Tecla de desbloqueo de la batería
- ㉓ Palanca de tensado cinta de sierra

#### 3.2 Uso conforme a las prescripciones

El producto descrito es una sierra de cinta de batería. Está prevista para el tronzado de materiales metálicos y plásticos.

El producto está diseñado para su manejo con ambas manos.

- Para este producto utilice únicamente baterías Li-Ion de la serie B 22 de **Hilti** Nuron. Para garantizar que este producto ofrece un rendimiento óptimo, **Hilti** recomienda utilizar las baterías indicadas en la tabla que encontrará al final de este manual de instrucciones.
- Para estas baterías utilice exclusivamente los cargadores **Hilti** de las series indicadas en la tabla que encontrará al final de este manual de instrucciones.





### 3.3 Suministro

Sierra de cinta, manual de instrucciones

Encontrará otros productos del sistema autorizados para su producto en su **Hilti Store** o en Internet, en: [www.hilti.group](http://www.hilti.group)

### 3.4 Mostrar la batería Ion-Litio

Las baterías de Ion-Litio de **Hilti** Nuron pueden mostrar el estado de carga, los mensajes de error y el estado de la batería.

#### 3.4.1 Visualización del estado de carga y de los mensajes de error



#### ADVERTENCIA

##### Riesgo de lesiones por la caída de la batería

- ▶ Con la batería colocada, asegúrese tras pulsar la tecla de desbloqueo de que la batería vuelva a encajar correctamente en el producto empleado.

Para recibir una de las siguientes indicaciones, pulse brevemente la tecla de desbloqueo de la batería.

El estado de carga y las posibles averías también se muestran de forma permanente mientras el producto esté conectado.

Estado	Significado
Cuatro (4) LED encendidos permanentemente en verde	Estado de carga: 100 % a 71 %
Tres (3) LED encendidos permanentemente en verde	Estado de carga: 70 % a 51 %
Dos (2) LED se iluminan permanentemente en verde	Estado de carga: 50 % a 26 %
Un (1) LED está encendido permanentemente en verde	Estado de carga: 25 % a 10 %
Un (1) LED parpadea lentamente en verde	Estado de carga: < 10 %
Un (1) LED parpadea rápidamente en verde	La batería Ion-Litio está totalmente descargada. Cargue la batería. Si tras cargar la batería el LED sigue parpadeando rápidamente, diríjase al Servicio Técnico de <b>Hilti</b> .
Un (1) LED parpadea rápidamente en amarillo	La batería de Ion-Litio o el producto conectado a ella están sobrecargados, demasiado calientes, demasiado fríos o existe otro error. Ponga el producto y la batería en la temperatura de trabajo recomendada y no sobrecargue el producto durante su uso. Si sigue viendo el mensaje, diríjase al Servicio Técnico de <b>Hilti</b> .
Un (1) LED está encendido en amarillo	La batería Ion-Litio y el producto conectado a ella no son compatibles. Diríjase al servicio técnico de <b>Hilti</b> .
Un (1) LED parpadea rápidamente en rojo	La batería Ion-Litio está bloqueada y no puede seguir utilizándose. Diríjase al servicio técnico de <b>Hilti</b> .

#### 3.4.2 Visualización del estado de la batería

Para consultar el estado de la batería, mantenga la tecla de desbloqueo pulsada durante más de tres segundos. El sistema no detecta un posible funcionamiento incorrecto de la batería debido a un mal uso, como caídas, hendiduras, daños por calor externo, etc.

Estado	Significado
Todos los LED se encienden como luz en movimiento y, a continuación, se enciende un (1) LED permanentemente en verde.	La batería puede seguir utilizándose.



Estado	Significado
Todos los LED se encienden como luz en movimiento y, a continuación, parpadea un (1) LED rápidamente en amarillo.	No se ha podido completar la consulta sobre el estado de la batería. Repita la operación o diríjase al Servicio Técnico de <b>Hilti</b> .
Todos los LED se encienden como luz en movimiento y, a continuación, parpadea un (1) LED permanentemente en rojo.	Cuando un producto conectado puede seguir utilizándose, la capacidad restante de la batería es inferior al 50 %. Cuando un producto conectado ya no puede seguir utilizándose, la batería ha llegado al final de su vida útil y debe ser sustituida. Diríjase al servicio técnico de <b>Hilti</b> .

## 4 Datos técnicos

<b>Peso según EPTA Procedure 01 sin batería</b>	6,5 kg
<b>Tensión nominal</b>	21,6 V
<b>Velocidad de giro en vacío</b>	150 m/min
<b>Profundidad de corte máx.</b>	127 mm
<b>Dimensiones del producto (Longitud x anchura x altura)</b>	525 mm x 175 mm x 375 mm
<b>Dimensiones cinta de sierra (Longitud x anchura x espesor)</b>	1.140 mm x 12,4 mm x 0,5 mm
<b>Temperatura ambiente en funcionamiento</b>	-17 °C ... 60 °C
<b>Temperatura de almacenamiento</b>	-20 °C ... 70 °C

### 4.1 Batería

<b>Tensión de servicio de la batería</b>	21,6 V
<b>Peso batería</b>	Véase al final del manual de instrucciones
<b>Temperatura ambiente en funcionamiento</b>	-17 °C ... 60 °C
<b>Temperatura de almacenamiento</b>	-20 °C ... 40 °C
<b>Temperatura de la batería al comenzar la carga</b>	-10 °C ... 45 °C

### 4.2 Información sobre la emisión de ruidos y valores de vibración según EN 60745

Los valores de vibración y de presión acústica indicados en estas instrucciones han sido medidos conforme a los procedimientos de medición homologados y pueden utilizarse para la comparación de diferentes herramientas eléctricas. También resultan útiles para realizar un análisis de los riesgos de exposición. Los datos indicados son específicos para las aplicaciones principales de la herramienta eléctrica. Los datos pueden, no obstante, registrar variaciones si la herramienta eléctrica se emplea para otras aplicaciones o con útiles de inserción distintos, o si se ha efectuado un mantenimiento insuficiente de la herramienta. En estos casos, los riesgos de exposición podrían aumentar considerablemente durante toda la sesión de trabajo. A fin de obtener un análisis preciso de los riesgos de exposición, también deben tenerse en cuenta los períodos en los que la herramienta está desconectada o está en marcha, pero no realmente en uso. De este modo, los riesgos de exposición podrían reducirse considerablemente durante toda la sesión de trabajo. Adopte medidas de seguridad adicionales para proteger al usuario del efecto del ruido y de las vibraciones, como por ejemplo: mantenimiento de la herramienta eléctrica y los útiles de inserción, mantener las manos calientes, organización de los procesos de trabajo, etc.

#### Información sobre la emisión de ruidos

<b>Nivel de potencia acústica (<math>L_{WA}</math>)</b>	86 dB(A)
<b>Incertidumbre del nivel de potencia acústica (<math>K_{WA}</math>)</b>	3 dB(A)
<b>Nivel de intensidad acústica (<math>L_{pA}</math>)</b>	75 dB(A)
<b>Incertidumbre del nivel de intensidad acústica (<math>K_{pA}</math>)</b>	3 dB(A)



## Valores de vibración totales

Valor de emisión de vibraciones al cortar en metal (ah,CM)	B 22-55	0,8 m/s <sup>2</sup>
	B 22-255	0,7 m/s <sup>2</sup>
Incertidumbre (K)		1,5 m/s <sup>2</sup>

## 5 Preparación del trabajo

### ADVERTENCIA

#### Riesgo de lesiones por arranque involuntario.

- ▶ Antes de insertar la batería, asegúrese de que el producto correspondiente esté desconectado.
- ▶ Retire la batería antes de realizar ajustes en la herramienta o de cambiar accesorios.

Respete las indicaciones de seguridad y las advertencias presentes en esta documentación y en el producto.

### 5.1 Carga de la batería

1. Antes de cargarla, lea el manual de instrucciones del cargador.
2. Asegúrese de que los contactos de la batería y del cargador estén limpios y secos.
3. Cargue la batería en un cargador autorizado. → página 34

### 5.2 Colocación de la batería

#### ADVERTENCIA

#### Riesgo de lesiones por cortocircuito o caída de la batería.

- ▶ Antes de insertar la batería, asegúrese de que los contactos de la batería y del producto estén libres de cuerpos extraños.
- ▶ Asegúrese de que la batería encaje siempre correctamente.

1. Cargue por completo la batería antes de la primera puesta en servicio.
2. Introduzca la batería en el producto hasta que encaje de forma audible.
3. Compruebe que la batería está bien colocada.

### 5.3 Extracción de la batería

1. Pulse la tecla de desbloqueo de la batería.
2. Retire la batería del producto.

### 5.4 Cambio de la cinta de sierra

#### ADVERTENCIA

**Riesgo de lesiones por la cinta de sierra.** La cinta de sierra puede estar caliente o tener bordes afilados y puede romperse en determinadas circunstancias.

- ▶ Utilice guantes de protección y protección para los ojos cuando esté trabajando y cuando cambie la cinta de sierra.
- ▶ Utilice la sierra de cinta únicamente con la cubierta de la misma correctamente instalada.
- ▶ No coloque nunca una sierra de cinta usada sobre bases que sean inflamables.



**⚠ ATENCIÓN**

**Daños materiales por uso de cintas de sierra incorrectas.** El uso de una cinta de sierra incorrecta puede provocar un desgaste prematuro del material y dañar la sierra de cinta.

- ▶ Seleccione una cinta de sierra adecuada para la sierra de cinta y el material.
- ▶ Seleccione una cinta de sierra con el paso de dientes adecuado (dientes por pulgada) para el material que vaya a serrar: mayor paso de dientes para materiales duros/delgados; menor paso de dientes para materiales blandos/gruesos.
- ▶ Utilice únicamente cintas de sierra de 0,5 mm de grosor. Las cintas de sierra más gruesas conllevan una mayor carga por flexión y un desgaste más rápido de los dientes de la sierra.
- ▶ Seleccione la cinta de sierra teniendo en cuenta que al menos dos dientes deben apoyarse en la pieza de trabajo.
- ▶ Utilice únicamente cintas de sierra de dimensiones 1140 mm × 12,5 mm × 0,5 mm.

1. Afloje los tornillos de las dos cubiertas de la cinta de sierra.
2. Retire las dos cubiertas de la cinta de sierra.
3. Gire la palanca de tensado hasta el tope.
  - ▶ Se aflojará la cinta de sierra.
4. Retire la cinta de sierra usada de la guía y deséchela.
5. Coloque la nueva cinta de sierra en la guía.
6. Guíe la nueva cinta de sierra alrededor de los dos rodillos.
7. Coloque la nueva cinta de sierra en el canal de guiado.
8. Compruebe la correcta colocación de la cinta de sierra.
9. Gire la palanca de tensado hasta el tope.
  - ▶ Se tensará la cinta de sierra.
10. Coloque las dos cubiertas de la cinta de sierra.
11. Apriete los tornillos de las dos cubiertas de la cinta de sierra.

**5.5 Protección frente a caídas****⚠ ADVERTENCIA**

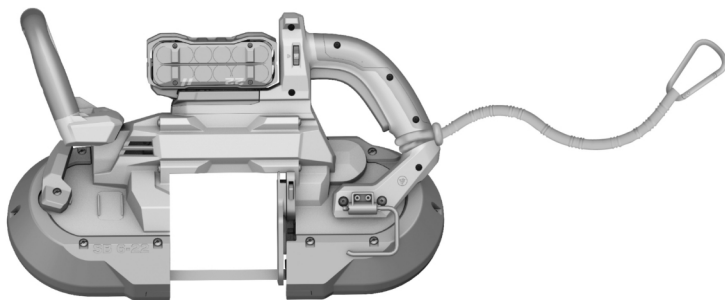
**Riesgo de lesiones** por caída de herramientas o accesorios.

- ▶ Utilice únicamente la cuerda de amarre para herramientas **Hilti** recomendada para su producto.
- ▶ Antes de cada uso, compruebe que el punto de fijación de la cuerda de amarre para herramientas no presente posibles daños.



Tenga en cuenta las directivas nacionales para trabajos en altura.

Para este producto, utilice únicamente como protección frente a caídas la cuerda de amarre para herramientas **Hilti** #2261971.



- ▶ Fije la cuerda de amarre para herramientas con la correa del producto como se muestra en la figura. Compruebe que quede fijada de forma segura.



- ▶ Fije el mosquetón a una estructura portante. Compruebe que el mosquetón quede fijado de forma segura.



Tenga en cuenta el manual de instrucciones de la cuerda de amarre para herramientas **Hilti**.

## 6 Manejo

Respete las indicaciones de seguridad y las advertencias presentes en esta documentación y en el producto.

### 6.1 Ajuste de la guía de corte

1. Mantenga pulsado el bloqueo de la guía de corte.
2. Desplace la guía de corte a la altura deseada.
3. Suelte el bloqueo de la guía de corte.

### 6.2 Serrado



#### ADVERTENCIA

**Riesgo de lesiones** por rebote de la sierra de cinta.

- ▶ Antes de serrar, sujete la pieza de trabajo, por ejemplo, en un tornillo de banco.
- ▶ Alinee la sierra de cinta y la pieza de trabajo entre sí.



#### ADVERTENCIA

**Riesgo de lesiones** por funcionamiento residual de la sierra.

- ▶ No levante el producto de la pieza hasta que se haya parado por completo.
- ▶ Espere hasta que el producto se haya detenido por completo antes de dejarlo sobre alguna superficie.



#### ADVERTENCIA

**Riesgo de lesiones por la cinta de sierra.** La cinta de sierra puede estar caliente o tener bordes afilados y puede romperse en determinadas circunstancias.

- ▶ Utilice guantes de protección y protección para los ojos cuando esté trabajando y cuando cambie la cinta de sierra.
- ▶ Utilice la sierra de cinta únicamente con la cubierta de la misma correctamente instalada.
- ▶ No coloque nunca una sierra de cinta usada sobre bases que sean inflamables.



#### ATENCIÓN

**Daños materiales por uso de cintas de sierra incorrectas.** El uso de una cinta de sierra incorrecta puede provocar un desgaste prematuro del material y dañar la sierra de cinta.

- ▶ Seleccione una cinta de sierra adecuada para la sierra de cinta y el material.
- ▶ Seleccione una cinta de sierra con el paso de dientes adecuado (dientes por pulgada) para el material que vaya a serrar: mayor paso de dientes para materiales duros/delgados; menor paso de dientes para materiales blandos/gruesos.
- ▶ Utilice únicamente cintas de sierra de 0,5 mm de grosor. Las cintas de sierra más gruesas conllevan una mayor carga por flexión y un desgaste más rápido de los dientes de la sierra.
- ▶ Seleccione la cinta de sierra teniendo en cuenta que al menos dos dientes deben apoyarse en la pieza de trabajo.
- ▶ Utilice únicamente cintas de sierra de dimensiones 1140 mm × 12,5 mm × 0,5 mm.

Compruebe periódicamente que el anillo de goma no esté dañado.

Después de cada operación de trabajo, limpie el polvo y las virutas de las cubiertas de la cinta de sierra y la guía de corte para prolongar la vida útil de la sierra de cinta.



Para arrancar la sierra de cinta: En primer lugar, pulse el conmutador de control y, a continuación, el interruptor de seguridad, y manténgalos pulsados al mismo tiempo.





El propio peso de la sierra de cinta es suficiente para realizar el corte. No ejerza ninguna presión adicional sobre la sierra de cinta.

1. Si es necesario, cambie el anillo de goma. → página 41
2. Si es necesario, cambie la cinta de sierra. → página 37
3. Mantenga pulsado el conmutador de control.
4. Mantenga pulsado el interruptor de seguridad.
5. Coloque la sierra de cinta sobre la pieza de trabajo de manera que se apoyen en la pieza el mayor número posible de dientes de la sierra.
6. Lleve a cabo los trabajos de serrado.



Guíe la sierra de cinta de manera que, a ser posible, siempre haya tres dientes de la sierra en el corte.

7. Suelte el conmutador de control.

## 7 Cuidado y mantenimiento



### ADVERTENCIA

#### Riesgo de lesiones con la batería colocada !

- ▶ Extraiga siempre la batería antes de llevar a cabo tareas de cuidado y mantenimiento.

#### Cuidado del producto

- Elimine con precaución la suciedad fuertemente adherida.
- Las rejillas de ventilación, si las hay, deben limpiarse con cuidadosamente con un cepillo seco y suave.
- Limpie la carcasa solo con un paño ligeramente humedecido. No utilice productos de limpieza que contengan silicona, ya que podrían dañar las piezas de plástico.
- Utilice un paño limpio y seco para limpiar los contactos del producto.

#### Cuidado de las baterías de Ion-Litio

- No utilice nunca una batería con las rejillas de ventilación obstruidas. Limpie cuidadosamente las rejillas de ventilación con un cepillo seco y suave.
- Evite la exposición innecesaria de la batería al polvo o la suciedad. No exponga nunca la batería a altos niveles de humedad (por ejemplo, sumergiéndola en agua o dejándola bajo la lluvia). Si penetra agua en la batería, trátela como una batería dañada. Aíslela en un recipiente no inflamable y póngase en contacto con el Servicio Técnico de **Hilti**.
- Mantenga la batería limpia de aceite o grasa. No permita la acumulación innecesaria de polvo o suciedad en la batería. Limpie la batería con un cepillo seco y suave o con un paño limpio y seco. No utilice productos de limpieza que contengan silicona, ya que podrían dañar las piezas de plástico. No toque los contactos de la batería y no elimine de los contactos la grasa aplicada de fábrica.
- Limpie la carcasa solo con un paño ligeramente humedecido. No utilice productos de limpieza que contengan silicona, ya que podrían afectar a las piezas de plástico.

#### Mantenimiento

- Compruebe con regularidad que las piezas visibles no estén dañadas y los elementos de manejo funcionen correctamente.
- No utilice el producto si presenta daños o fallos que afecten al funcionamiento. Encargue inmediatamente la reparación del producto al Servicio Técnico de **Hilti**.
- Tras las tareas de cuidado y mantenimiento, coloque todos los dispositivos de protección y asegúrese de que funcionen correctamente.



Para garantizar un correcto funcionamiento, utilice exclusivamente piezas de repuesto y consumibles originales. Las piezas de repuesto, los consumibles y los accesorios autorizados por **Hilti** se pueden consultar en su **Hilti Store** o en: [www.hilti.group](http://www.hilti.group)

### 7.1 Cambio de la cubierta de la cinta de sierra



Cambie la cubierta de la cinta de sierra en cuanto aprecie cualquier daño.



1. Afloje los tornillos de la cubierta de la cinta de sierra.
2. Retire y deseche la cubierta dañada de la cinta de sierra.
3. Coloque la nueva cubierta de la cinta de sierra en la sierra de cinta.
4. Apriete los tornillos de la cubierta de la cinta de sierra con entre 2 y 3 Nm.

## 7.2 Cambio del anillo de goma



Cambie el anillo de goma en cuanto aprecie cualquier daño.

1. Desmonte la cinta de sierra → página 37.
2. Retire el anillo de goma.
3. Compruebe si hay suciedad en las ranuras y límpielas en caso necesario.
4. Sujete el nuevo anillo de goma en el rodillo de la cinta de sierra.
5. Alinee el anillo de goma hasta que quede completamente enrasado con las ranuras de guiado.
6. Vuelva a montar la cinta de sierra → página 37.

## 7.3 Cambio de la guía de la cinta de sierra



Cambie la guía de la cinta de sierra en cuanto aprecie daños, por ejemplo, si la cinta de sierra ha fresado una ranura.

1. Desmonte la cinta de sierra → página 37.
2. Afloje los dos tornillos de la guía de la cinta de sierra.
3. Retire de la sierra de cinta la guía dañada de la cinta de sierra y deséchela.
4. Coloque la nueva guía de la cinta de sierra en la sierra de cinta.
5. Apriete los dos tornillos de la guía de la cinta de sierra con entre 2 y 3 Nm.
6. Vuelva a montar la cinta de sierra → página 37.

## 7.4 Cambio de la placa de soporte



Cambie la placa de soporte en cuanto la cinta de sierra sufra fricción o atascos.

1. Desmonte la cinta de sierra → página 37.
2. Afloje el tornillo de la placa de soporte.
3. Retire la placa de soporte dañada de la sierra de cinta y deséchela.
4. Coloque la nueva placa de soporte en la sierra de cinta.
5. Apriete los tornillos de la placa de soporte con entre 2 y 3 Nm.
6. Vuelva a montar la cinta de sierra → página 37.

## 8 Transporte y almacenamiento de las baterías y sus herramientas

### Transporte



#### PRECAUCIÓN

#### Arranque involuntario en el transporte !

- ▶ Transporte sus productos siempre sin batería.
- ▶ Extraiga la(s) batería(s).
- ▶ Nunca transporte las baterías sin embalaje. Durante el transporte, las baterías deben estar protegidas frente a vibraciones y golpes excesivos y aisladas de todo material conductor y de otras baterías para que no entren en contacto con los polos de otras baterías y causen un cortocircuito. **Tenga en cuenta las normativas locales sobre el transporte de baterías.**
- ▶ Las baterías no deben enviarse por correo. Diríjase a una empresa de transporte si quiere enviar baterías no dañadas.
- ▶ Compruebe si el producto o las baterías están dañados antes de cada uso y antes y después de un transporte prolongado.



## Almacenamiento



### ADVERTENCIA

#### Daños imprevistos debido a una batería defectuosa o agotada !

- ▶ Guarde su productos siempre sin batería.
- ▶ Guarde el producto y las baterías en un lugar fresco y seco. Tenga en cuenta los valores límite de temperatura que figuran en los datos técnicos.
- ▶ No almacene las baterías en el cargador. Extraiga siempre la batería del cargador después del proceso de carga.
- ▶ No guarde nunca las baterías en un lugar expuesto al sol, a fuentes de calor o detrás de un cristal.
- ▶ Guarde el producto y las baterías fuera del alcance de niños y personas no autorizadas.
- ▶ Compruebe si el producto o las baterías están dañados antes de cada uso y antes y después de un almacenamiento prolongado.

## 9 Ayuda en caso de averías

En caso de producirse una avería, compruebe el indicador de estado de la batería. Véase el capítulo **Mostrar la batería de Ion-Litio**.

Si se producen averías que no estén incluidas en esta tabla o que no pueda solucionar usted, diríjase al Servicio Técnico de **Hilti**.

Anomalía	Posible causa	Solución
El producto no desarrolla toda la potencia.	Conmutador de control no pulsado del todo.	▶ Pulse completamente el conmutador de control.
No se puede encender el producto.	Bloqueo de conexión no accionado.	▶ Accione el bloqueo de conexión.
El producto no se pone en marcha.	Cinta de sierra bloqueada	▶ Compruebe si la cinta de sierra está correctamente montada o dañada.
Los LED de la batería no emiten ninguna indicación	La batería está defectuosa	▶ Póngase en contacto con el Servicio Técnico de <b>Hilti</b> .

## 10 Reciclaje



### ADVERTENCIA

**Riesgo de lesiones por un reciclaje indebido.** Riesgo para la salud debido a escapes de gases o líquidos.

- ▶ No envíe baterías dañadas bajo ningún concepto.
- ▶ Cubra las conexiones con un material no conductor para evitar cortocircuitos.
- ▶ Deshágase de las baterías de tal forma que no terminen en manos de niños.
- ▶ Elimine la batería en su **Hilti Store** o diríjase a su empresa de desechos.

Los productos **Hilti** están fabricados en su mayor parte con materiales reutilizables. La condición para dicha reutilización es una separación adecuada de los materiales. En muchos países, **Hilti** recoge las herramientas usadas para su recuperación. Pregunte al Servicio de Atención al Cliente de **Hilti** o a su asesor de ventas.



- ▶ No deseche las herramientas eléctricas, los aparatos eléctricos ni las baterías junto con los residuos domésticos.

## 11 Garantía del fabricante

- ▶ Si tiene alguna consulta acerca de las condiciones de la garantía, póngase en contacto con su sucursal local de **Hilti**.

## 12 Más información

Encontrará información adicional sobre manejo, técnica, medio ambiente y reciclaje en el siguiente enlace: [qr.hilti.com/manual/?id=2354065&id=2354067](http://qr.hilti.com/manual/?id=2354065&id=2354067)





Encontrará este enlace también al final de la documentación como código QR.

## Manual de instruções original

### 1 Indicações sobre o Manual de instruções

#### 1.1 Relativamente a este Manual de instruções

- Antes da colocação em funcionamento, leia este manual de instruções. Esta é a condição para um trabalho seguro e um manuseamento sem problemas.
- Tenha em atenção as instruções de segurança e as advertências neste Manual de instruções e no produto.
- Guarde o manual de instruções sempre junto do produto e entregue-o a outras pessoas apenas juntamente com este manual de instruções.

#### 1.2 Explicação dos símbolos

##### 1.2.1 Advertências

As advertências alertam para perigos durante a utilização do produto. São utilizadas as seguintes palavras de aviso:

##### PERIGO

##### PERIGO !

- ▶ Indica perigo iminente que pode originar acidentes pessoais graves ou até mesmo fatais.

##### AVISO

##### AVISO !

- ▶ Indica um possível perigo que pode causar graves ferimentos pessoais, até mesmo fatais.







##### CUIDADO

##### CUIDADO !

- ▶ Indica uma situação potencialmente perigosa que pode originar ferimentos corporais ou danos materiais.

##### 1.2.2 Símbolos no manual de instruções

Neste manual de instruções são utilizados os seguintes símbolos:

	Consultar o manual de instruções
	Instruções de utilização e outras informações úteis
	Manuseamento com materiais recicláveis
	Não deitar as ferramentas eléctricas e baterias no lixo doméstico
	Bateria de iões de lítio <b>Hilti</b>
	Carregador <b>Hilti</b>

##### 1.2.3 Símbolos nas figuras

Em figuras são utilizados os seguintes símbolos:

<b>2</b>	Estes números remetem para a figura respectiva no início do presente manual de instruções.
3	A numeração reproduz uma sequência dos passos de trabalho na imagem e pode divergir dos passos de trabalho no texto.
<b>11</b>	Na figura <b>Vista geral</b> são utilizados números de posição que fazem referência aos números da legenda na secção <b>Vista geral do produto</b> .





Este símbolo pretende despertar a sua atenção durante o manuseamento do produto.

### 1.3 Símbolos dependentes do produto

#### 1.3.1 Símbolos no produto

No produto, podem usar-se os seguintes símbolos:

	Corrente contínua
	Seta indicadora do sentido de rotação
	O produto suporta a tecnologia NFC que é compatível com plataformas iOS e Android.
Li-Ion	Bateria de iões de lítio
	Nunca bata com um objecto na bateria nem utilize a bateria como ferramenta de percussão.
	Não deixe cair a bateria. Não utilize baterias que tenham recebido uma pancada ou que estejam, de outra forma, danificadas.

### 1.4 Dados informativos sobre o produto

Os produtos **HILTI** destinam-se ao utilizador profissional e só podem ser operados, mantidos e reparados por pessoal autorizado, devidamente qualificado. Estas pessoas deverão estar informadas em particular sobre os potenciais perigos. O produto e seu equipamento auxiliar podem representar perigo se usados incorrectamente por pessoas não qualificadas ou se usados para fins diferentes daqueles para os quais foram concebidos.

A designação e o número de série são indicados na placa de características.

- ▶ Registe o número de série na tabela seguinte. Precisa dos dados do produto para colocar questões ao nosso representante ou posto de serviço de atendimento aos clientes.

#### Dados do produto

Serra de cinta a bateria	SB 6-22
Geração	01
N.º de série	

### 1.5 Declaração de conformidade

O fabricante declara, sob sua única e exclusiva responsabilidade, que o produto aqui descrito está em conformidade com a legislação vigente e as normas em vigor. Na parte final desta documentação encontra uma reprodução da declaração de conformidade.

As documentações técnicas estão aqui guardadas:

Hilti Entwicklungsgesellschaft mbH | Zulassung Geräte | Hiltistraße 6 | 86916 Kaufering, DE

## 2 Segurança

### 2.1 Normas de segurança gerais para ferramentas eléctricas

**⚠ AVISO Leia todas as normas de segurança, instruções, imagens e dados técnicos, com os quais esta ferramenta eléctrica está equipada.** O não cumprimento das instruções a seguir pode resultar em choque eléctrico, incêndio e/ou ferimentos graves.

**Guarde bem todas as normas de segurança e instruções para futura referência.**

O termo “ferramenta eléctrica” utilizado nas normas de segurança refere-se a ferramentas com ligação à corrente eléctrica (com cabo de alimentação) ou a ferramentas a bateria (sem cabo).

#### Segurança no posto de trabalho

- ▶ **Mantenha a sua área de trabalho limpa e bem iluminada.** Locais desarrumados ou mal iluminados podem ocasionar acidentes.



- ▶ **Não utilize a ferramenta eléctrica em ambientes explosivos ou na proximidade de líquidos ou gases inflamáveis.** Ferramentas eléctricas produzem faíscas que podem provocar a ignição de pó e vapores.
- ▶ **Mantenha crianças e terceiros afastados durante os trabalhos.** Distracções podem conduzir à perda de controlo sobre a ferramenta.

### Segurança eléctrica

- ▶ **A ficha da ferramenta eléctrica deve servir na tomada. A ficha não deve ser modificada de modo algum. Não utilize quaisquer adaptadores com ferramentas eléctricas com ligação terra.** Fichas originais (não modificadas) e tomadas adequadas reduzem o risco de choque eléctrico.
- ▶ **Evite o contacto do corpo com superfícies ligadas à terra, como, por exemplo, canos, radiadores, fogões e frigoríficos.** Existe um risco elevado de choque eléctrico se o corpo estiver com ligação à terra.
- ▶ **As ferramentas eléctricas não devem ser expostas à chuva nem à humidade.** A infiltração de água numa ferramenta eléctrica aumenta o risco de choque eléctrico.
- ▶ **Não use o cabo de ligação para transportar, pendurar ou desligar a ferramenta eléctrica da tomada. Mantenha o cabo de ligação afastado de calor, óleo, arestas vivas ou partes em movimento.** Cabos de ligação danificados ou emaranhados aumentam o risco de choque eléctrico.
- ▶ **Quando operar uma ferramenta eléctrica ao ar livre, utilize apenas cabos de extensão próprios para utilização no exterior.** A utilização de um cabo de extensão próprio para utilização no exterior reduz o risco de choques eléctricos.
- ▶ **Utilize um disjuntor diferencial se não puder ser evitada a utilização da ferramenta eléctrica em ambiente húmido.** A utilização de um disjuntor diferencial reduz o risco de choque eléctrico.

### Segurança física

- ▶ **Esteja alerta, observe o que está a fazer, e tenha prudência ao trabalhar com uma ferramenta eléctrica. Se estiver cansado ou sob influência de drogas, álcool ou medicamentos não efectue nenhum trabalho com ferramentas eléctricas.** Um momento de distração ao operar a ferramenta eléctrica pode causar ferimentos graves.
- ▶ **Use equipamento de segurança. Use sempre óculos de protecção.** Equipamento de segurança, como, por exemplo, máscara antipoeiras, sapatos de segurança antiderrapantes, capacete de segurança ou protecção auricular, de acordo com o tipo e aplicação da ferramenta eléctrica, reduzem o risco de lesões.
- ▶ **Evite um arranque involuntário. Assegure-se de que a ferramenta eléctrica está desligada antes de a ligar à fonte de alimentação e/ou à bateria, pegar nela ou a transportar.** Transportar a ferramenta eléctrica com o dedo no interruptor ou ligar uma ferramenta à tomada com o interruptor ligado (ON) pode resultar em acidentes.
- ▶ **Remova quaisquer chaves de ajuste (chaves de fenda), antes de ligar a ferramenta eléctrica.** Um acessório ou chave deixado preso numa parte rotativa da ferramenta pode causar ferimentos.
- ▶ **Evite posturas corporais desfavoráveis. Mantenha sempre uma posição correcta, em perfeito equilíbrio.** Desta forma será mais fácil manter o controlo sobre a ferramenta eléctrica em situações inesperadas.
- ▶ **Use roupa apropriada. Não use roupa larga ou jóias. Mantenha o cabelo, vestuário e luvas afastados das peças móveis.** Roupas largas, jóias ou cabelos compridos podem ficar presos nas peças móveis.
- ▶ **Se poderem ser montados sistemas de remoção e de recolha de pó, assegure-se de que estes estão ligados e são utilizados correctamente.** A utilização de um sistema de remoção de pó pode reduzir os perigos relacionados com a exposição ao mesmo.
- ▶ **Não se acomode numa falsa sensação de segurança e não ignore os regulamentos de segurança para ferramentas eléctricas, mesmo se estiver familiarizado com a ferramenta eléctrica após numerosas utilizações.** Agir de forma descuidada pode causar ferimentos graves dentro duma fracção de segundo.

### Utilização e manuseamento da ferramenta eléctrica

- ▶ **Não sobrecarregue a ferramenta. Use para o seu trabalho a ferramenta eléctrica correcta.** Com a ferramenta eléctrica adequada obterá maior eficiência e segurança se respeitar os seus limites.
- ▶ **Não utilize a ferramenta eléctrica se o interruptor estiver defeituoso.** Uma ferramenta eléctrica que já não possa ser accionada pelo interruptor é perigosa e deve ser reparada.
- ▶ **Retire a ficha da tomada e/ou remova uma bateria amovível antes de efectuar ajustes na ferramenta, substituir acessórios ou guardar a ferramenta.** Esta medida preventiva evita o accionamento accidental da ferramenta eléctrica.



- ▶ **Guarde ferramentas eléctricas não utilizadas fora do alcance das crianças. Não permita que a ferramenta seja utilizada por pessoas não familiarizadas com a mesma ou que não tenham lido estas instruções.** Ferramentas eléctricas operadas por pessoas não treinadas são perigosas.
- ▶ **Faça uma manutenção regular de ferramentas eléctricas e acessórios. Verifique se as partes móveis funcionam perfeitamente e não emperram ou se há peças quebradas ou danificadas que possam influenciar o funcionamento da ferramenta eléctrica. Peças danificadas devem ser reparadas antes da utilização da ferramenta.** Muitos acidentes são causados por ferramentas eléctricas com manutenção deficiente.
- ▶ **Mantenha as ferramentas de corte sempre afiadas e limpas.** Acessórios com gumes afiados tratados correctamente emperram menos e são mais fáceis de controlar.
- ▶ **Utilize a ferramenta eléctrica, acessórios, bits, etc., de acordo com estas instruções. Tome também em consideração as condições de trabalho e o trabalho a ser efectuado.** A utilização da ferramenta eléctrica para outros fins além dos previstos, pode ocasionar situações de perigo.
- ▶ **Mantenha punhos e respectivas superfícies secos, limpos e isentos de óleo e gordura.** Punhos e superfícies afins escorregadios não permitem um manuseamento e controlo seguro da ferramenta eléctrica em situações imprevistas.

#### **Utilização e manuseamento da ferramenta a bateria**

- ▶ **Apenas deverá carregar as baterias em carregadores recomendados pelo fabricante.** Num carregador adequado para um determinado tipo de baterias existe perigo de incêndio se for utilizado para outras baterias.
- ▶ **Nas ferramentas eléctricas utilize apenas as baterias previstas.** A utilização de outras baterias pode causar ferimentos e riscos de incêndio.
- ▶ **Quando a bateria não estiver em uso, mantenha-a afastada de outros objectos de metal, como, por exemplo, cliques, moedas, chaves, pregos, parafusos, ou outros pequenos objectos metálicos que possam ligar em ponte os contactos.** Um curto-circuito entre os contactos da bateria pode causar queimaduras ou incêndio.
- ▶ **Utilizações inadequadas podem provocar derrame do líquido da bateria. Evite o contacto com este líquido. No caso de contacto accidental, enxágue imediatamente com água. Se o líquido entrar em contacto com os olhos, procure auxílio médico.** O líquido que escorre da bateria pode provocar irritações ou queimaduras da pele.
- ▶ **Não utilize uma bateria danificada ou modificada.** Baterias danificadas ou modificadas podem ter um comportamento imprevisível e causar fogo, explosão ou risco de ferimentos.
- ▶ **Não exponha uma bateria ao fogo ou a temperaturas excessivas.** Fogo e temperaturas superiores a 130 °C (265 °F) podem provocar uma explosão.
- ▶ **Cumpra todas as instruções sobre o carregamento e nunca carregue a bateria ou a ferramenta a bateria fora da faixa de temperaturas indicada no manual de instruções.** O carregamento errado ou fora da faixa de temperaturas permitida pode destruir a bateria e aumentar o risco de incêndio.

#### **Manutenção**

- ▶ **A sua ferramenta eléctrica só deve ser reparada por pessoal qualificado e só devem ser utilizadas peças sobressalentes originais.** Isto assegurará que a segurança da ferramenta se mantenha.
- ▶ **Nunca faça a manutenção de baterias danificadas.** Qualquer manutenção de baterias só deverá ser realizada pelo fabricante ou serviços de assistência técnica autorizados.

### **2.2 Normas de segurança para serra de cinta**

- ▶ **Segure a ferramenta eléctrica apenas pelas áreas isoladas dos punhos, quando executar trabalhos em que o acessório possa encontrar cabos eléctricos encobertos.** O contacto com um cabo sob tensão também pode colocar partes metálicas da ferramenta sob tensão e causar um choque eléctrico.

### **2.3 Normas de segurança adicionais**

- ▶ Não introduza as mãos na zona de corte nem toque na própria cinta da serra. Segure o punho com interruptor de segurança com a outra mão. Se ambas as mãos segurarem a serra, estas não poderão ser feridas ao serrar.
- ▶ Utilize o produto e os acessórios somente se estiverem em perfeitas condições técnicas.
- ▶ Nunca efectue quaisquer manipulações ou modificações no produto ou nos acessórios.
- ▶ Ligue o produto somente quando o tiver colocado na posição de trabalho.
- ▶ Evite o contacto com peças rotativas - Perigo de ferimentos!
- ▶ Tenha cuidado ao levantar e/ou transportar o produto, a cinta da serra é afiada e pode causar ferimentos por corte ou danos materiais.



- ▶ Use óculos de protecção, capacete de segurança e protecção auricular durante a utilização do produto.
- ▶ Use luvas de protecção durante a substituição de acessórios. Tocar no acessório pode causar ferimentos por corte e queimaduras.
- ▶ Pó produzido ao rectificar, lixar, cortar e furar pode conter produtos químicos perigosos. Alguns exemplos são: Chumbo ou tintas à base de chumbo; Tijolo, betão e outros produtos de alvenaria, pedra natural e outros produtos que contenham silicatos; Determinadas madeiras, como carvalho, faia e madeira tratada quimicamente; Amianto ou materiais contendo amianto. Determine a exposição do operador e das pessoas que se encontrem nas proximidades através da classe de perigo dos materiais a serem trabalhados. Tome as medidas necessárias para manter a exposição a um nível seguro como, por ex., a utilização de um sistema colector de pó ou o uso de uma protecção respiratória adequada. As medidas gerais para redução da exposição incluem:
  - ▶ Trabalhar num local bem ventilado,
  - ▶ Evitar o contacto prolongado com pó,
  - ▶ Afastar o pó do rosto e do corpo,
  - ▶ Usar roupa de protecção e lavar áreas expostas com água e sabão.
- ▶ Utilize a serra de cinta apenas com a cobertura da serra correctamente instalada, para evitar ferimentos.
- ▶ Utilize sempre um encosto ou uma guia recta quando efectuar cortes longitudinais. Isto melhora a qualidade do corte e reduz a possibilidade de a lâmina de serra bloquear.
- ▶ Nunca segure a peça a cortar com as mãos ou com qualquer outra parte do corpo. Fixe-a a um suporte estável. É importante fixar a peça a cortar firmemente, a fim de minimizar as possibilidades de haver contacto com o corpo, de a lâmina de serra emperrar ou de se perder o controlo.
- ▶ Segure sempre o produto com ambas as mãos nos punhos previstos para o efeito, colocando os braços numa posição em que poderá absorver as forças do contragolpe.
- ▶ Mantenha os punhos secos, limpos e isentos de óleo e massa.
- ▶ Coloque-se sempre ao lado da lâmina de serra, fazendo com que a lâmina de serra e o próprio corpo nunca se encontrem na mesma linha. Em caso de contragolpe, a serra pode saltar para trás!
- ▶ Mantenha uma posição de trabalho segura, principalmente ao realizar trabalhos acima da cabeça. Um atravessamento repentino poderá levar à perda do equilíbrio.
- ▶ Ao realizar trabalhos de perfuração vede ambos os lados da peça a trabalhar. Restos de demolição podem cair e causar ferimentos.
- ▶ Se a lâmina de serra encravar ou se interromper os trabalhos, desligue a serra e mantenha-a parada, até que a lâmina fique imobilizada. Nunca tente retirar a lâmina de serra da peça a cortar ou retroceder com a serra enquanto a mesma está em movimento; caso contrário, pode ocorrer um coice.
- ▶ Se pretender fazer arrancar uma serra dentro do material, centre a lâmina na ranhura de corte e verifique se os dentes não estão encravados na peça a cortar.
- ▶ Tenha particular atenção ao cortar em paredes existentes ou noutras áreas não inspecionáveis. Durante a imersão, a lâmina de serra pode ficar bloqueada em objectos encobertos, causando um coice.
- ▶ Faça frequentemente pausas e exercícios para melhorar a circulação sanguínea nos dedos. Os trabalhos mais longos, devido às intensas vibrações, podem causar distúrbios nos vasos sanguíneos ou no sistema nervoso dos dedos, mãos ou pulsos.
- ▶ Não olhe directamente para a luz de trabalho (LED) do produto nem aponte a luz para o rosto de outras pessoas. Existe risco de encandeamento.
- ▶ Antes de começar a serrar, certifique-se que a cinta da serra está montada correctamente. Uma cinta da serra mal montada pode encravar e causar um contragolpe.
- ▶ Risco de ferimentos devido à queda de ferramentas e/ou acessórios. Antes de iniciar os trabalhos, verifique se a bateria e os acessórios montados estão realmente fixos.

### **Segurança eléctrica**

- ▶ Antes de iniciar os trabalhos, verifique o local de trabalho relativamente a cabos eléctricos encobertos, bem como tubos de gás e água. Partes metálicas externas do produto podem causar um choque eléctrico ou uma explosão se, inadvertidamente, danificarem uma linha eléctrica, um cano de gás ou de água.
- ▶ Antes de iniciar o corte de tubos, por exemplo no decurso de trabalhos de demolição ou instalação, verifique se estes não contêm líquidos (esvazie-os, se necessário). Ao cortar tubos mantenha o produto num plano superior à linha de corte. O produto não possui qualquer protecção contra a entrada de humidade.

### **Utilização e manutenção de ferramentas eléctricas**

- ▶ Utilize apenas cintas de serra com o tamanho prescrito.
- ▶ Não utilize cintas de serra rombas ou danificadas. Estas provocam uma maior fricção, encravamento ou contragolpe da cinta da serra.



- ▶ Observe as instruções do fabricante para manuseamento e arrumação das cintas de serra.

## 2.4 Utilização e manutenção de baterias

- ▶ **Tenha em atenção as seguintes indicações de segurança para um manuseamento e utilização seguros de baterias de íões de lítio.** A inobservância pode causar irritações da pele, ferimentos corrosivos graves, queimaduras químicas, fogo e/ou explosões.
- ▶ Utilize baterias somente se estiverem em perfeitas condições técnicas.
- ▶ Manuseie cuidadosamente as baterias a fim de evitar danos e impedir a fuga de líquidos extremamente nocivos!
- ▶ As baterias não devem, em caso algum, ser modificadas ou manipuladas!
- ▶ As baterias não podem ser desmanteladas, esmagadas, aquecidas acima dos 80 °C (176 °F) ou incineradas.
- ▶ Não utilize ou carregue baterias que tenham recebido uma pancada ou que estejam, de outra forma, danificadas. Verifique regularmente se as suas baterias apresentam indícios de danos.
- ▶ Nunca utilize baterias recicladas ou reparadas.
- ▶ Nunca utilize a bateria ou uma ferramenta eléctrica a bateria como ferramenta de percussão.
- ▶ Nunca expor as baterias à radiação solar directa, temperaturas elevadas, faíscas ou chamas abertas. Isso pode dar origem a explosões.
- ▶ Não toque nos pólos da bateria com os dedos, ferramentas, jóias ou outros objectos condutores da electricidade. Isto pode danificar a bateria e causar danos materiais e ferimentos.
- ▶ Mantenha as baterias afastadas da chuva, humidade e líquidos. A entrada de humidade pode causar curto-circuitos, choques eléctricos, queimaduras, incêndio e explosões.
- ▶ Utilize apenas carregadores e ferramentas eléctricas previstos para este tipo de bateria. Para isso, tenha em atenção as indicações nos respectivos manuais de instruções.
- ▶ Nunca utilize nem guarde a bateria em ambientes potencialmente explosivos.
- ▶ Se a bateria estiver demasiado quente ao toque, poderá estar com defeito. Coloque a bateria num local com boa visibilidade que não constitua risco de incêndio, suficientemente afastado de materiais inflamáveis. Deixe a bateria arrefecer. Se, passado uma hora, a bateria ainda estiver demasiado quente ao toque, então está com defeito. Contacte o Centro de Assistência Técnica **Hilti** ou leia a documento "Indicações relativas à segurança e utilização de baterias de íões de lítio **Hilti**".



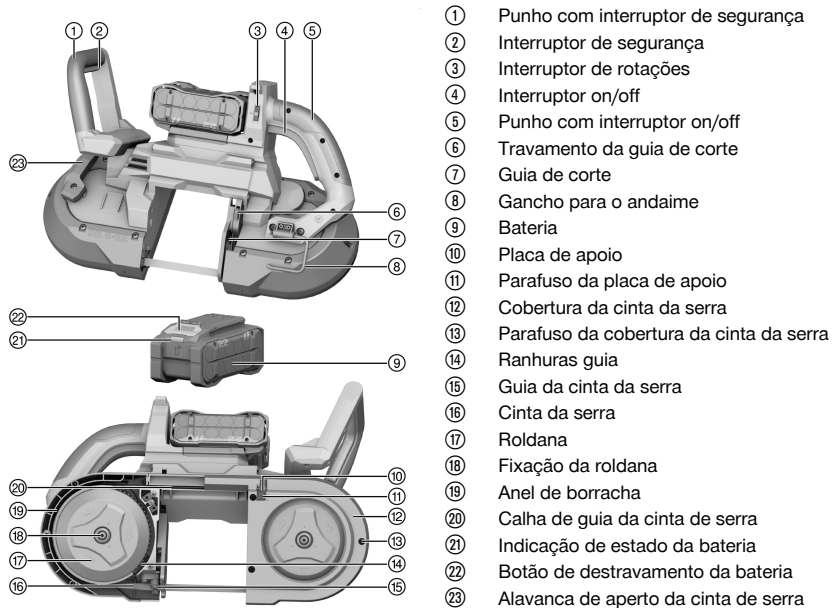
Observe as regras específicas aplicáveis ao transporte, à armazenagem e à utilização de baterias de íões de lítio. → Página 56

Leia as indicações relativas à segurança e utilização de baterias de íões de lítio **Hilti** que encontra efectuando a leitura do código QR na parte final deste manual de instruções.



### 3 Descrição

#### 3.1 Vista geral do produto



- ① Punho com interruptor de segurança
- ② Interruptor de segurança
- ③ Interruptor de rotações
- ④ Interruptor on/off
- ⑤ Punho com interruptor on/off
- ⑥ Travamento da guia de corte
- ⑦ Guia de corte
- ⑧ Gancho para o andaime
- ⑨ Bateria
- ⑩ Placa de apoio
- ⑪ Parafuso da placa de apoio
- ⑫ Cobertura da cinta da serra
- ⑬ Parafuso da cobertura da cinta da serra
- ⑭ Ranhuras guia
- ⑮ Guia da cinta da serra
- ⑯ Cinta da serra
- ⑰ Roldana
- ⑱ Fixação da roldana
- ⑲ Anel de borracha
- ⑳ Calha de guia da cinta de serra
- ㉑ Indicação de estado da bateria
- ㉒ Botão de destravamento da bateria
- ㉓ Alavanca de aperto da cinta de serra

#### 3.2 Utilização conforme a finalidade projectada

O produto descrito é uma serra de cinta a bateria. Foi concebida para cortar materiais em metal e plástico. O produto foi concebido para a utilização com ambas as mãos.

- Para este produto, utilize apenas baterias de íões de lítio **Hilti** Nuron da série B 22. Para garantir o desempenho perfeito, a **Hilti** recomenda para este produto as baterias indicadas nesta tabela, no final deste manual de instruções.
- Para estas baterias utilize apenas carregadores **Hilti** das séries referidas na tabela no final deste manual de instruções.

#### 3.3 Incluído no fornecimento

Serra de cinta, manual de instruções

Poderá encontrar outros produtos de sistema aprovados para o seu produto na sua **Hilti Store** ou em: [www.hilti.group](http://www.hilti.group)

#### 3.4 Indicações da bateria de íões de lítio

As baterias de íões de lítio **Hilti** Nuron podem apresentar o estado de carga, mensagens de erro e o estado da bateria.

##### 3.4.1 Indicações relativas ao estado de carga e mensagens de erro



**AVISO**

**Risco de ferimentos devido à queda da bateria!**

- ▶ Com a bateria encaixada, depois de pressionar o botão de destravamento, certifique-se de que volta a encaixar a bateria correctamente no produto utilizado.

Para obter uma das seguintes indicações, pressione brevemente o botão de destravamento da bateria.



O estado de carga, assim como, possíveis avarias são apresentados de forma permanente, enquanto o produto conectado estiver ligado.

Estado	Significado
Quatro (4) LEDs estão sempre acesos a verde	Estado de carga: 100% a 71%
Três (3) LEDs estão sempre acesos a verde	Estado de carga: 70% a 51%
Dois (2) LEDs estão sempre acesos a verde	Estado de carga: 50% a 26%
Um (1) LED está sempre aceso a verde	Estado de carga: 25% a 10%
Um (1) LED pisca lentamente a verde	Estado de carga: < 10%
Um (1) LED pisca rapidamente a verde	A bateria de íões de lítio está completamente descarregada. Carregue a bateria. Se o LED ainda estiver a piscar rapidamente depois de carregar a bateria, contacte o Centro de Assistência Técnica <b>Hilti</b> .
Um (1) LED pisca rapidamente a amarelo	A bateria de íões de lítio ou o produto associado estão sobrecarregados, demasiado quentes, demasiado frios ou existe alguma outra falha. O produto e a bateria devem ser utilizados à temperatura de trabalho recomendada e o produto não deve ser sobrecarregado quando está a ser utilizado. Se a mensagem persistir, contacte o Centro de Assistência Técnica <b>Hilti</b> .
Um (1) LED acende-se a amarelo	A bateria de íões de lítio e o produto a ela ligado não são compatíveis. Contacte a Assistência Técnica <b>Hilti</b> .
Um (1) LED pisca rapidamente a vermelho	A bateria de íões de lítio está bloqueada e não pode continuar a ser utilizada. Contacte a Assistência Técnica <b>Hilti</b> .

### 3.4.2 Indicações relativas ao estado da bateria

Para consultar o estado da bateria, mantenha o botão de destravamento pressionado por mais de três segundos. O sistema não detecta potenciais anomalias da bateria devido a utilização inadequada como, por ex., quedas, perfurações, danos externos provocados pelo calor, etc.

Estado	Significado
Todos os LEDs acendem como luz de perseguição e, em seguida, um (1) LED está sempre aceso a verde.	A bateria pode continuar a ser utilizada.
Todos os LEDs acendem como luz de perseguição e, em seguida, um (1) LED pisca rapidamente a amarelo.	Não foi possível concluir a consulta sobre o estado da bateria. Repita o procedimento ou contacte o Centro de Assistência Técnica <b>Hilti</b> .
Todos os LEDs acendem como luz de perseguição e, em seguida, um (1) LED está sempre aceso a vermelho.	Se um produto conectado ainda puder ser utilizado, a capacidade restante da bateria é inferior a 50%. Se um produto conectado já não puder ser utilizado, a bateria está no fim da sua vida útil e deve ser substituída. Contacte a Assistência Técnica <b>Hilti</b> .

## 4 Características técnicas

<b>Peso de acordo com EPTA Procedure 01 sem bateria</b>	6,5 kg
<b>Tensão nominal</b>	21,6 V
<b>Velocidade de rotação em vazio</b>	150 m/min
<b>Profundidade máx. de corte</b>	127 mm
<b>Dimensões do produto (Comprimento x Largura x Altura)</b>	525 mm x 175 mm x 375 mm





Dimensões da cinta de serra (Comprimento x Largura x Espessura)	1 140 mm x 12,4 mm x 0,5 mm
Temperatura ambiente durante o funcionamento	-17 °C ... 60 °C
Temperatura de armazenagem	-20 °C ... 70 °C

#### 4.1 Bateria

Tensão de serviço da bateria	21,6 V
Peso da bateria	Consultar o fim deste manual de instruções
Temperatura ambiente durante o funcionamento	-17 °C ... 60 °C
Temperatura de armazenagem	-20 °C ... 40 °C
Temperatura da bateria no início do carregamento	-10 °C ... 45 °C

#### 4.2 Informação sobre o ruído e valores de vibração em conformidade com a EN 60745

Os valores de pressão acústica e de vibração indicados nestas instruções foram medidos em conformidade com um processo de medição normalizado, podendo ser utilizados para a intercomparação de ferramentas eléctricas, sendo também apropriados para uma estimativa preliminar das exposições. Os dados indicados representam as aplicações principais da ferramenta eléctrica. No entanto, se a ferramenta eléctrica for utilizada para outras aplicações, com acessórios diferentes dos indicados ou devido a manutenção insuficiente, os dados podem diferir. Isso pode aumentar notoriamente as exposições durante todo o período de trabalho. Para uma avaliação exacta das exposições também se devem considerar os períodos durante os quais a ferramenta está desligada ou, embora ligada, não esteja de facto a ser utilizada. Isso pode reduzir notoriamente as exposições durante todo o período de trabalho. Defina medidas de segurança adicionais para protecção do operador contra a acção do ruído e/ou de vibrações, como, por exemplo: manutenção da ferramenta eléctrica e dos acessórios, medidas para manter as mãos quentes, organização dos processos de trabalho.

##### Informação sobre o ruído

Nível de emissão sonora ( $L_{WA}$ )	86 dB(A)
Incerteza para nível de emissão sonora ( $K_{WA}$ )	3 dB(A)
Nível de pressão da emissão sonora ( $L_{pA}$ )	75 dB(A)
Incerteza para nível de pressão da emissão sonora ( $K_{pA}$ )	3 dB(A)

##### Valor total das vibrações

Valor da emissão de vibração, cortar em metal (ah,CM)	B 22-55	0,8 m/s <sup>2</sup>
	B 22-255	0,7 m/s <sup>2</sup>
Incerteza (K)		1,5 m/s <sup>2</sup>

## 5 Preparação do local de trabalho

### AVISO

#### Risco de ferimentos devido a arranque involuntário!

- ▶ Antes de encaixar a bateria, certifique-se de que o produto correspondente está desligado.
- ▶ Remova a bateria, antes de efectuar ajustes na ferramenta ou substituir acessórios.

Tenha em atenção as instruções de segurança e as advertências nesta documentação e no produto.

#### 5.1 Carregar a bateria

1. Antes de carregar, leia o manual de instruções do carregador.
2. Certifique-se de que os contactos da bateria e do carregador estão limpos e secos.
3. Carregue a bateria num carregador aprovado. → Página 49



## 5.2 Colocar a bateria

### AVISO

#### Risco de ferimentos devido a curto-circuito ou queda da bateria!

- ▶ Antes de encaixar a bateria, certifique-se de que os contactos da bateria e os contactos no produto estão livres de corpos estranhos.
- ▶ Certifique-se de que a bateria engata sempre correctamente.

1. A bateria deve ser completamente carregada antes da primeira utilização.
2. Introduza a bateria no produto até engatar de forma audível.
3. Verifique se a bateria está correctamente encaixada.

## 5.3 Retirar a bateria

1. Pressione o botão de destravamento da bateria.
2. Puxe a bateria para fora do produto.

## 5.4 Substituir a cinta de serra

### AVISO

**Risco de ferimentos devido à cinta de serra.** A cinta de serra pode estar quente e/ou ter arestas vivas e, em determinadas circunstâncias, poderá romper.

- ▶ Use luvas de protecção e protecção ocular ao trabalhar e ao substituir a cinta de serra.
- ▶ Utilize a serra de cinta apenas com cobertura da cinta de serra correctamente instalada.
- ▶ Nunca coloque uma serra de cinta usada sobre bases inflamáveis.

### ATENÇÃO

**Danos materiais devido a cinta de serra errada.** Uma cinta de serra errada pode causar fadiga prematura do material e danos na serra de cinta.

- ▶ Seleccione a cinta de serra correcta para a serra de cinta e o material.
- ▶ Seleccione a cinta de serra com a divisão de dentes correcta (dentes por polegada) para o material a serrar: divisão de dentes maior para materiais duros/finos; divisão de dentes menor para materiais macios/espessos.
- ▶ Utilize apenas cintas de serra com 0,5 mm de espessura. Cintas de serra mais espessas causam uma carga de curvatura maior e uma deterioração mais rápida dos dentes de serra.
- ▶ Seleccione a cinta de serra de forma a que, pelo menos, dois dentes assentem no material.
- ▶ Utilize exclusivamente cintas de serra com as dimensões 1140 mm × 12,5 mm × 0,5 mm.

1. Solte os parafusos de ambas as coberturas da cinta de serra.
2. Retire ambas as coberturas da cinta de serra.
3. Rode a alavanca de aperto até ao batente.
  - ▶ A cinta de serra fica solta.
4. Retire a cinta de serra antiga da guia e elimine-a.
5. Coloque a nova cinta de serra na guia da cinta de serra.
6. Conduza a cinta de serra nova em torno dos dois rolos.
7. Coloque a nova cinta de serra na calha de guia da cinta de serra.
8. Verifique o posicionamento correcto da cinta de serra.
9. Rode a alavanca de aperto até ao batente.
  - ▶ A cinta de serra é tensionada.
10. Coloque as duas coberturas da cinta de serra.
11. Aperte bem os parafusos de ambas as coberturas da cinta de serra.



## 5.5 Protecção anti-queda

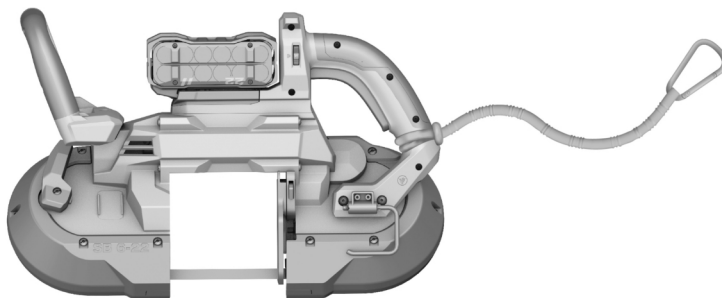
### AVISO

**Risco de ferimentos** devido a queda de ferramentas e/ou acessórios!

- ▶ Utilize apenas o cabo de segurança para ferramentas **Hilti** recomendado para o seu produto.
- ▶ Antes de cada utilização, verifique o ponto de fixação do cabo de segurança para ferramentas quanto a possíveis danos.

Observe as directivas nacionais para trabalhos em altura.

Utilize exclusivamente o cabo de segurança para ferramentas **Hilti** #2261971 como protecção anti-queda para este produto.



- ▶ Fixe o cabo de segurança para ferramentas ao produto com o laço como ilustrado na imagem. Verifique se está bem apertado.
- ▶ Fixe o mosquetão a uma estrutura de suporte. Verifique se o mosquetão está bem apertado.

Observe o manual de instruções do cabo de segurança para ferramentas **Hilti**.

## 6 Utilização

Tenha em atenção as instruções de segurança e as advertências nesta documentação e no produto.

### 6.1 Ajustar a guia de corte

1. Pressione e mantenha pressionado o travamento da guia de corte.
2. Desloque a guia de corte para a altura pretendida.
3. Solte o travamento da guia de corte.

### 6.2 Serrar

#### AVISO

**Risco de ferimentos** devido a contragolpe da serra de cinta.

- ▶ Fixe a peça a trabalhar, p. ex., num torno de bancada, antes de serrar.
- ▶ Alinhe a serra de cinta e a peça a trabalhar uma com a outra.

#### AVISO

**Risco de ferimentos** devido a serra ainda em movimento.

- ▶ Levante o produto da peça a trabalhar somente quando a lâmina estiver parada.
- ▶ Aguarde até que o produto esteja parado, antes de o posar.



 **AVISO**

**Risco de ferimentos devido à cinta de serra.** A cinta de serra pode estar quente e/ou ter arestas vivas e, em determinadas circunstâncias, poderá romper.

- ▶ Use luvas de protecção e protecção ocular ao trabalhar e ao substituir a cinta de serra.
- ▶ Utilize a serra de cinta apenas com cobertura da cinta de serra correctamente instalada.
- ▶ Nunca coloque uma serra de cinta usada sobre bases inflamáveis.

 **ATENÇÃO**

**Danos materiais devido a cinta de serra errada.** Uma cinta de serra errada pode causar fadiga prematura do material e danos na serra de cinta.

- ▶ Selecione a cinta de serra correcta para a serra de cinta e o material.
- ▶ Selecione a cinta de serra com a divisão de dentes correcta (dentes por polegada) para o material a serrar: divisão de dentes maior para materiais duros/finos; divisão de dentes menor para materiais macios/espessos.
- ▶ Utilize apenas cintas de serra com 0,5 mm de espessura. Cintas de serra mais espessas causam uma carga de curvatura maior e uma deterioração mais rápida dos dentes de serra.
- ▶ Selecione a cinta de serra de forma a que, pelo menos, dois dentes assentem no material.
- ▶ Utilize exclusivamente cintas de serra com as dimensões 1140 mm × 12,5 mm × 0,5 mm.

Verifique regularmente o anel de borracha quanto a danos.

Após cada processo de trabalho, limpe o pó e as aparas das coberturas da cinta de serra e da guia de corte, para prolongar o tempo de vida útil da serra de cinta.



Para iniciar a serra de cinta, tem de: premir primeiro o interruptor on/off e, em seguida, o interruptor de segurança e, simultaneamente, manter premido.



O peso próprio da serra de cinta é suficiente para executar o corte. Não aplique pressão adicional sobre a serra de cinta.

1. Se necessário, substitua o anel de borracha. → Página 55
2. Se necessário, substitua a cinta de serra. → Página 52
3. Pressione e mantenha pressionado o interruptor on / off.
4. Pressione e mantenha pressionado o interruptor de segurança.
5. Coloque a serra de cinta sobre a peça a trabalhar, de forma a que assentem sobre a peça a trabalhar o maior número de dentes de serra possível.
6. Realize o trabalho de serrar.



Conduza a serra de cinta, de forma a que, se possível, estejam sempre três dentes de serra no corte.

7. Solte o interruptor on/off.

## 7 Conservação e manutenção

 **AVISO**

**Risco de lesão com a bateria encaixada !**

- ▶ Retire sempre a bateria antes de todos os trabalhos de conservação e manutenção!

### Conservação do produto

- Remova sujidade persistente com cuidado.
- Se existente, limpe as saídas de ar cuidadosamente com uma escova seca e macia.
- Limpe a carcaça apenas com um pano ligeiramente húmido. Não utilize produtos de conservação que contenham silicone, uma vez que estes podem danificar os componentes de plástico.
- Utilize um pano limpo e seco, para limpar os contactos do produto.



### Conservação das baterias de iões de lítio

- Nunca utilize uma bateria com as saídas de ar obstruídas. Limpe as saídas de ar cuidadosamente com uma escova seca e macia.
- Evite que a bateria seja exposta desnecessariamente a pó ou sujidade. Nunca exponha a bateria a humidade elevada (por ex., mergulhar em água ou deixar à chuva).  
Se uma bateria tiver ficado encharcada, trate-a como uma bateria danificada. Isole-a num recipiente não inflamável e contacte o Centro de Assistência Técnica **Hilti**.
- Mantenha a bateria sem resíduos de óleo e massa consistente externos. Não permita que se acumule desnecessariamente pó ou sujidade sobre a bateria. Limpe a bateria com uma escova seca e macia ou um pano limpo e seco. Não utilize produtos de conservação que contenham silicone, uma vez que estes podem danificar os componentes de plástico.  
Não toque nos contactos da bateria nem remova dos contactos a massa consistente aplicada de fábrica.
- Limpe a carcaça apenas com um pano ligeiramente húmido. Não utilize produtos de conservação que contenham silicone, uma vez que estes podem danificar os componentes de plástico.

### Manutenção

- Verifique, regularmente, todos os componentes visíveis quanto a danos e os comandos operativos quanto a funcionamento perfeito.
- Não opere o produto se existirem danos e/ou perturbações de funcionamento. Mandar reparar o produto imediatamente no Centro de Assistência Técnica **Hilti**.
- Após os trabalhos de conservação e manutenção, aplique todos os dispositivos de protecção e verifique se funcionam correctamente.



Para um funcionamento seguro, utilize apenas peças sobresselentes e consumíveis originais. Poderá encontrar peças sobresselentes, consumíveis e acessórios aprovados pela **Hilti** para o seu produto na sua **Hilti Store** ou em: [www.hilti.group](http://www.hilti.group)

#### 7.1 Substituir a cobertura da cinta de serra



Substitua a cobertura da cinta de serra, logo que detectar danos.

1. Solte os parafusos da cobertura da cinta de serra.
2. Remova e elimine a cobertura da cinta de serra danificada.
3. Coloque a nova cobertura da cinta de serra na serra de cinta.
4. Aperte bem os parafusos da cobertura da cinta de serra com 2 a 3 NM.

#### 7.2 Substituir o anel de borracha



Substitua o anel de borracha logo que detectar danos.

1. Desmonte a cinta de serra → Página 52.
2. Retire o anel de borracha.
3. Verifique as ranhuras guia em relação a sujidade e, se necessário, limpe-as.
4. Fixe o novo anel de borracha no rolo para a cinta de serra.
5. Alinhe o anel de borracha até que esteja completamente nivelado com as ranhuras guia.
6. Volte a montar a cinta de serra. → Página 52.

#### 7.3 Substituir a guia da cinta de serra



Substitua a guia da cinta de serra, logo que detectar danos, p. ex., se a cinta de serra deixar uma ranhura fresada.

1. Desmonte a cinta de serra → Página 52.
2. Solte os dois parafusos da guia da cinta de serra.
3. Retire a guia da cinta de serra danificada da serra de cinta e elimine-a.
4. Coloque a nova guia da cinta de serra na serra de cinta.



5. Aperte bem os dois parafusos da guia da cinta de serra com 2 a 3 NM.
6. Volte a montar a cinta de serra. → Página 52.

## 7.4 Substituir a placa de apoio

Substitua a placa de apoio, logo que a cinta de serra roce ou fique presa.

1. Desmonte a cinta de serra → Página 52.
2. Solte o parafuso da placa de apoio.
3. Retire a placa de apoio danificada da serra de cinta e elimine-a.
4. Coloque a nova placa de apoio na serra de cinta.
5. Aperte bem o parafuso da placa de apoio com 2 a 3 NM.
6. Volte a montar a cinta de serra. → Página 52.

## 8 Transporte e armazenamento de ferramentas a bateria e baterias

### Transporte

#### CUIDADO

#### Arranque inadvertido durante o transporte !

- ▶ Transporte os seus produtos sempre sem as baterias colocadas!
- ▶ Retire a/as bateria(s).
- ▶ Nunca transporte as baterias sem embalagem. Durante o transporte, as baterias devem ser protegidas contra impactos e vibrações excessivos e isoladas de quaisquer materiais condutores ou outras baterias, para que não entrem em contacto com os pólos de outras baterias e causem um curto-circuito. **Observe as suas normas de transporte locais para baterias.**
- ▶ As baterias não devem ser enviadas por correio. Quando pretender enviar baterias não danificadas, contacte uma empresa transportadora.
- ▶ Verifique o produto e as baterias quanto a danos antes de cada utilização, bem como antes e depois de longos períodos de transporte.

### Armazenamento

#### AVISO

#### Dano acidental devido a baterias com defeito ou a perderem líquido !

- ▶ Armazene os seus produtos sempre sem as baterias colocadas!
- ▶ Guarde o produto e as baterias em lugar fresco e seco. Tenha em atenção os valores limite de temperatura, que estão indicados nas Características técnicas.
- ▶ Não guarde as baterias no carregador. Após o processo de carregamento, retire sempre a bateria do carregador.
- ▶ Nunca armazene as baterias em locais sujeitos a exposição solar, em cima de fontes de calor ou por trás de um vidro.
- ▶ Guarde o produto e as baterias fora do alcance das crianças e das pessoas não autorizadas.
- ▶ Verifique o produto e as baterias quanto a danos antes de cada utilização, bem como antes e depois de longos períodos de armazenamento.

## 9 Ajuda em caso de avarias

Sempre que ocorra uma avaria, observe a indicação de estado da bateria. Consultar capítulo **Indicações da bateria de íões de lítio**.

No caso de avarias que não sejam mencionadas nesta tabela ou se não conseguir resolvê-las por si mesmo, contacte o nosso Centro de Assistência Técnica **Hilti**.

Avaria	Causa possível	Solução
O produto não atinge plena potência.	O interruptor on/off não foi totalmente pressionado.	▶ Pressione completamente o interruptor on/off.
Não é possível ligar o produto.	Dispositivo de bloqueio não accionado.	▶ Accione o dispositivo de bloqueio.



Avaria	Causa possível	Solução
O produto não arranca.	Cinta de serra bloqueada	► Verifique se a cinta de serra foi correctamente montada e/ou se está com danos.
Os LEDs da bateria não indicam nada	Bateria avariada	► Dirija-se ao Centro de Assistência Técnica <b>Hilti</b> .

## 10 Reciclagem

### AVISO

**Perigo de ferimentos devido a eliminação incorrecta!** Riscos para a saúde devido à fuga de gases ou líquidos.

- Não envie quaisquer baterias danificadas!
- Para evitar curto-circuitos, cubra as conexões com um material não condutor.
- Elimine as baterias de modo a mantê-las longe do alcance das crianças.
- Efectue a reciclagem da bateria na sua **Hilti Store** ou entre em contacto com a empresa de recolha de lixo responsável.

Os produtos **Hilti** são, em grande parte, fabricados com materiais recicláveis. Um pré-requisito para a reciclagem é que esses materiais sejam devidamente separados. Em muitos países, a **Hilti** aceita o seu aparelho usado para reaproveitamento. Para mais informações, dirija-se ao Serviço de Clientes **Hilti** ou ao seu vendedor.



- Não deite as ferramentas eléctricas, aparelhos electrónicos e baterias no lixo doméstico!

## 11 Garantia do fabricante

- Se tiver dúvidas em relação às condições de garantia, contacte o seu parceiro **Hilti** local.

## 12 Mais informações

Pode consultar informações mais pormenorizadas sobre Utilização, Tecnologia, Meio ambiente e Reciclagem na seguinte hiperligação: [qr.hilti.com/manual/?id=2354065&id=2354067](https://qr.hilti.com/manual/?id=2354065&id=2354067)

Também pode encontrar esta hiperligação no final da documentação sob a forma de código QR.

# Original brugsanvisning

## 1 Om brugsanvisningen

### 1.1 Om denne brugsanvisning

- Læs brugsanvisningen grundigt igennem inden ibrugtagning. Det er en forudsætning for sikkert arbejde og korrekt håndtering.
- Følg sikkerhedsanvisningerne og advarslerne i denne brugsanvisning og på produktet.
- Opbevar altid brugsanvisningen sammen med produktet, og overdrag kun produktet til andre personer sammen med denne brugsanvisning.

### 1.2 Tegnforklaring

#### 1.2.1 Advarsler

Advarsler advarer mod farer ved håndtering af produktet. Følgende signalord anvendes:

### FARE

#### FARE !

- Betegner en umiddelbart truende fare, der kan medføre alvorlige kvæstelser eller døden.



**ADVARSEL**
**ADVARSEL !**

- ▶ Står ved en potentielt truende fare, der kan medføre alvorlige kvæstelser eller døden.

**FORSIGTIG**
**FORSIGTIG !**

- ▶ Advarer om en potentielt farlig situation, der kan forårsage personskader eller materielle skader.

### 1.2.2 Symboler i brugsanvisningen

Der benyttes følgende symboler i denne brugsanvisning:

	Se brugsanvisningen
	Anvisninger for anvendelse og andre nyttige oplysninger
	Håndtering af genvindbare materialer
	Elektriske maskiner og batterier må ikke bortskaffes som almindeligt husholdningsaffald
	<b>Hilti</b> Lithium-ion-batteri
	<b>Hilti</b> Lader

### 1.2.3 Symboler i illustrationer

Følgende symboler anvendes på illustrationer:

	Disse tal henviser til den pågældende illustration i begyndelsen af denne brugsanvisning.
	Nummereringen udtrykker arbejdsstrinnenes rækkefølge på illustrationen og kan afvige fra arbejds-trinnene i teksten.
	Positionsnumre anvendes i illustrationen <b>Oversigt</b> og refererer til tallene i symbolforklaringen i afsnittet <b>Produktoversigt</b> .
	Dette symbol skal sikre skærpet opmærksomhed ved omgang med produktet.

## 1.3 Produktspecifikke symboler

### 1.3.1 Symboler på produktet

Følgende symboler kan forekomme på produktet:

	Jævnstrøm
	Rotationsretningspil
	Produktet understøtter NFC-teknologi, som er kompatibel med iOS- og Android-platforme.
Li-Ion	Lithium-ion-batteri
	Slå aldrig med en genstand på batteriet, og brug aldrig batteriet som slagværktøj.
	Lad ikke batteriet falde på gulvet. Brug ikke et batteri, der har fået et slag eller på anden vis er beskadiget.

## 1.4 Produktoplysninger

**HILTI**-produkter er beregnet til professionel brug og må kun betjenes, efterses og vedligeholdes af autoriseret og instrueret personale. Dette personale skal i særdeleshed informeres om de potentielle farer, der er forbundet med anvendelsen af denne maskine. Der kan opstå farlige situationer ved anvendelse af





produktet og det tilhørende udstyr, hvis det anvendes af personer, der ikke er blevet undervist i dens brug, eller hvis det ikke anvendes korrekt i henhold til forskrifterne i denne brugsanvisning.

Typebetegnelse og serienummer fremgår af typeskiltet.

- ▶ Notér serienummeret i den efterfølgende tabel. Du skal bruge produktoplysningerne ved henvendelser til vores lokale afdeling eller vores serviceværksted.

#### Produktoplysninger

Batteridrevet båndsav	SB 6-22
Generation	01
Serienummer	

### 1.5 Overensstemmelseserklæring

Producenten erklærer som eneansvarlig, at det her beskrevne produkt er i overensstemmelse med gældende lovgivning og gældende standarder. Sidst i dette dokument finder du et billede af overensstemmelseserklæringen.

Den tekniske dokumentation er arkiveret her:

Hilti Entwicklungsgesellschaft mbH | Zulassung Geräte | Hiltistraße 6 | 86916 Kaufering, DE

## 2 Sikkerhed

### 2.1 Generelle sikkerhedsanvisninger for elværktøj

**⚠ ADVARSEL** Læs alle sikkerhedsanvisninger, henvisninger, billedtekster og tekniske data på elværktøjet. Hvis følgende anvisninger ikke overholdes, er der risiko for elektrisk stød, brand og/eller alvorlige personskader.

#### Opbevar alle sikkerhedsanvisninger og instruktioner til senere brug.

Det benyttede begreb "elværktøj" i sikkerhedsanvisningerne refererer til elektriske maskiner (med netledning) eller batteridrevne maskiner (uden netledning).

#### Arbejdspladssikkerhed

- ▶ **Sørg for at holde arbejdsområdet ryddeligt og godt oplyst.** Uorden eller uoplyste arbejdsområder øger faren for uheld.
- ▶ **Brug ikke elværktøj i eksplosionstruede omgivelser, hvor der er brændbare væsker, gasser eller støv.** Elværktøj kan slå gnister, der kan antænde støv eller dampe.
- ▶ **Sørg for, at andre personer og ikke mindst børn holdes væk fra arbejdsområdet, når elværktøjet er i brug.** Hvis man distraheres, kan man miste kontrollen over maskinen.

#### Elektrisk sikkerhed

- ▶ **Elværktøjets stik skal passe til kontakten. Stikket må under ingen omstændigheder ændres. Brug ikke adapterstik sammen med jordforbundne elværktøje.** Uændrede stik, der passer til kontakterne, nedsætter risikoen for elektrisk stød.
- ▶ **Undgå kropskontakt med jordforbundne overflader som f.eks. rør, radiatorer, komfurer og køleskabe.** Hvis din krop er jordforbundet, øges risikoen for elektrisk stød.
- ▶ **Elværktøj må ikke udsættes for regn eller fugt.** Indtrængning af vand i elværktøj øger risikoen for elektrisk stød.
- ▶ **Brug ikke ledningen til formål, den ikke er beregnet til (f.eks. må man aldrig bære elværktøjet i ledningen, hænge det op i ledningen eller rykke i ledningen for at trække stikket ud af kontakten). Beskyt ledningen mod varme, olie, skarpe kanter eller dele, der er i bevægelse.** Beskadigede eller sammenviklede ledninger øger risikoen for elektrisk stød.
- ▶ **Hvis elværktøjet benyttes i det fri, må der kun benyttes en forlængerledning, der er egnet til udendørs brug.** Brug af forlængerledning til udendørs brug nedsætter risikoen for elektrisk stød.
- ▶ **Hvis det ikke kan undgås at anvende elværktøjet i fugtige omgivelser, skal du anvende et fejlstrømsrelæ.** Anvendelsen af et fejlstrømsrelæ nedsætter risikoen for et elektrisk stød.

#### Personlig sikkerhed

- ▶ **Det er vigtigt at være opmærksom, se, hvad man laver, og bruge maskinen fornuftigt. Anvend aldrig elværktøj, hvis du er træt eller påvirket af stoffer, alkohol eller medicin.** Et øjeblik uopmærksomhed under brugen af elværktøjet kan medføre alvorlige personskader.
- ▶ **Brug beskyttelsesudstyr, og hav altid beskyttelsesbriller på.** Brug af sikkerhedsudstyr som f.eks. støvmaske, skridsikkert fodtøj, beskyttelseshjelm eller høreværn afhængigt af elværktøjets type og anvendelse nedsætter risikoen for personskader.



- ▶ **Undgå utilsigtet igangsætning.** Kontrollér, at elværktøjet er frakoblet, før du slutter det til strømforsyningen og/eller batteriet, tager det op eller transporterer det. Undgå at bære elværktøjet med fingeren på afbryderen, og sørg for, at det ikke er tændt, når det slutes til nettet, da dette øger risikoen for personskader.
- ▶ **Fjern indstillingsværktøj eller skruenøgler, inden elværktøjet tændes.** Hvis et stykke værktøj eller en nøgle sidder i en roterende maskindel, er der risiko for personskader.
- ▶ **Undgå at arbejde i unormale kroppsstillinger.** Sørg for at stå sikkert, mens der arbejdes, og kom ikke ud af balance. Det er derved nemmere at kontrollere elværktøjet, hvis der skulle opstå uventede situationer.
- ▶ **Brug egnet arbejdstøj.** Undgå løse beklædningsgenstande eller smykker. Hold hår, tøj og handsker væk fra dele, der bevæger sig. Dele, der er i bevægelse, kan gribe fat i løstsiddende tøj, smykker eller langt hår.
- ▶ **Hvis støvudsugnings- og opsamlingsudstyr kan monteres, er det vigtigt, at dette tilsluttes og benyttes korrekt.** Ved at anvende en støvudsugning er det muligt at nedsætte risiciene som følge af støv.
- ▶ **Man må ikke ignorere sikkerhedsreglerne for elværktøj, heller ikke selvom man er fortrolig med brugen af elværktøjet.** Uagtsomhed kan medføre alvorlig tilskadekomst inden for få sekunder.

#### Anvendelse og pleje af elværktøjet

- ▶ **Undgå at overbelaste maskinen.** Brug altid en maskine, der er beregnet til det stykke arbejde, der skal udføres. Med det rigtige værktøj arbejder man bedst og mest sikkert inden for det angivne effektområde.
- ▶ **Brug ikke elværktøj, hvis afbryderen er defekt.** En maskine, der ikke kan startes og stoppes, er farlig og skal repareres.
- ▶ **Træk stikket ud af stikkontakten, og/eller fjern batteriet fra maskinen, inden du foretager indstillinger på den, skifter tilbehør og dele eller lægger den til side.** Disse sikkerhedsforanstaltninger forhindrer utilsigtet start af elværktøjet.
- ▶ **Opbevar ubenyttede elværktøjer uden for børns rækkevidde.** Lad aldrig personer, der ikke er fortrolige med maskinen eller ikke har gennemlæst sikkerhedsanvisningerne, benytte denne. Elværktøj er farligt, hvis det benyttes af ukundige personer.
- ▶ **Sørg for at pleje elværktøj omhyggeligt.** Kontrollér, om bevægelige dele fungerer korrekt og ikke sidder fast, og om delene er brækket eller beskadiget, således at elværktøjets funktion påvirkes. Få beskadigede dele repareret, inden elværktøjet tages i brug. Mange uheld skyldes dårligt vedligeholdte elværktøjer.
- ▶ **Sørg for, at skæreværktøjer er skarpe og rene.** Omhyggeligt vedligeholdte skæreværktøjer med skarpe skærekanter sætter sig ikke så hurtigt fast og er nemmere at føre.
- ▶ **Anvend elværktøj, tilbehør, indsatsværktøj osv. i overensstemmelse med disse anvisninger.** Tag hensyn til arbejdsforholdene og det arbejde, der skal udføres. I tilfælde af anvendelse af maskinen til formål, som ligger uden for det fastsatte anvendelsesområde, kan der opstå farlige situationer.
- ▶ **Sørg for, at greb og gribeplader er tørre, rene og fri for olie og fedt.** Glatte greb og gribeplader gør betjeningen usikker, og det kan være svært at styre elværktøjet i uforudsete situationer.

#### Anvendelse og pleje af batteridrevet elværktøj

- ▶ **Oplad kun batterier i ladere, der er anbefalet af fabrikanten.** Der er risiko for brand, hvis en lader, der er beregnet til et bestemt batteri, anvendes til opladning af en anden batteritype.
- ▶ **Brug kun de batterier, der er beregnet til elværktøjet.** Brug af andre batterier øger risikoen for personskader og er forbundet med brandfare.
- ▶ **Ikke benyttede batterier må ikke komme i berøring med kontorclips, mønter, nøgler, søm, skruer eller andre små metalgenstande, da disse kan kortslutte kontakterne.** En kortslutning mellem batterikontakterne øger risikoen for personskader i form af forbrændinger.
- ▶ **Hvis batteriet anvendes forkert, kan der løbe væske ud af batteriet. Undgå at komme i kontakt med denne væske. Hvis det alligevel skulle ske, skylles med vand. Søg læge, hvis væsken kommer i øjnene.** Batterivæske kan give hudirritation eller forbrændinger.
- ▶ **Brug aldrig et beskadiget eller ændret batteri.** Beskadigede eller ændrede batterier kan virke utilsigtet og medføre brand, eksplosion eller risiko for tilskadekomst.
- ▶ **Batterier må ikke udsættes for åben ild eller høje temperaturer.** Ild eller temperaturer over 130 °C (265 °F) kan medføre eksplosion.
- ▶ **Følg alle anvisninger vedrørende opladning, og oplad aldrig batteriet eller det batteridrevne værktøj uden for det temperaturområde, der er anført i betjeningsvejledningen.** Forkert opladning eller opladning uden for det tilladte temperaturområde kan ødelægge batteriet og øge risikoen for brand.



## Service

- ▶ **Sørg for, at elværktøjet kun reparerer af kvalificerede fagfolk, og at der altid benyttes originale reservedele.** Dermed sikres størst mulig elværktøjsikkerhed.
- ▶ **Forsøg aldrig at reparere beskadigede batterier.** Al vedligeholdelse af batterier skal foretages af producenten eller af autoriserede forhandlere.

## 2.2 Sikkerhedsanvisninger for båndsave

- ▶ **Hold elværktøjet på de isolerede grebsflader, når du udfører opgaver, hvor indsatsværktøjet kan ramme skjulte strømledninger.** Ved kontakt med en spændingsførende ledning kan også metalliske værktøjsdele sættes under spænding, hvilket kan medføre elektrisk stød.

## 2.3 Yderligere sikkerhedsanvisninger

- ▶ Hold hænderne væk fra saveområdet og båndsavklingen. Hold med den anden hånd i håndtaget med sikkerhedskontakt. Når du bruger begge hænder til at holde saven, kommer du ikke til skade med hænderne under savearbejdet.
- ▶ Anvend kun produktet og tilbehøret i teknisk fejlfri stand.
- ▶ Foretag aldrig manipulationer eller ændringer på produkt eller tilbehør.
- ▶ Tænd først produktet, når du har bragt det i arbejdsposition.
- ▶ Undgå berøring af roterende dele - fare for personskader!
- ▶ Vær forsigtig, når du løfter og/eller transporterer produktet. Båndsavklingen er skarp og kan medføre snitsår eller materielle skader.
- ▶ Brug beskyttelsesbriller, sikkerhedshjelm og høreværn under brugen af produktet.
- ▶ Brug beskyttelseshandsker, når du skifter værktøj. Berøring af indsatsværktøjet kan medføre snitsår og forbrændinger.
- ▶ Støv, der dannes ved slibning, skæring og boring, kan indeholde farlige kemikalier. Nogle eksempler er: Bly eller maling på blybasis; Tegl, beton og andre murværksprodukter, natursten og andre silikatholdige produkter; Bestemte træsorter som eg, bøg og kemisk behandlet træ; Asbest eller asbestholdige materialer. Bestem eksponeringen for brugeren og omkringstående personer ved hjælp af fareklassen for de materialer, der arbejdes på. Træf de nødvendige foranstaltninger for at holde eksponeringen på et sikkert niveau, f.eks. ved at bruge et støvopsamlingsystem eller brug af et passende åndedrætsværn. Generelle foranstaltninger til at reducere eksponeringen omfatter bl.a.:
  - ▶ Arbejde i et godt ventileret område,
  - ▶ Undgå længere tids kontakt med støv,
  - ▶ Lede støv bort fra ansigt og krop,
  - ▶ Brug beskyttende beklædning og vaske eksponerede områder med vand og sæbe.
- ▶ Anvend kun båndsaven med korrekt afskærmning af båndsavklingen monteret for at undgå at komme til skade.
- ▶ Ved savning på langs skal du altid anvende et anslag eller et lige kantstyr. Dette forbedrer savenejagtigheden og nedsætter muligheden for klemning af savklingen.
- ▶ Hold aldrig emnet i hånden eller med den anden legemsdel. Fastgør emnet på en stabil holder. Det er vigtigt, at emnet fastgøres ordentligt for at minimere faren for kropskontakt, klemning af savklingen eller tab af kontrol over saven.
- ▶ Hold altid produktet med begge hænder på de dertil beregnede håndtag, og anbring armene i en position, hvor du kan absorbere tilbageslagskræfterne.
- ▶ Hold håndtagene tørre og rene samt fri for olie og fedt.
- ▶ Hold dig altid på siden af savklingen, anbring aldrig kroppen på linje med savklingen. Ved et tilbageslag kan saven springe baglæns!
- ▶ Sørg for at stå sikkert, især ved opgaver over hovedhøjde. Hvis værktøjet pludselig går igennem, kan du miste balancen.
- ▶ Sørg for at sikre begge sider af emnet ved gennembrydningsopgaver. Bruddele kan falde af og medføre personskader.
- ▶ Hvis savklingen sætter sig fast, eller du afbryder arbejdet, skal du slukke saven og holde saven roligt, indtil savklingen står helt stille. Forsøg aldrig at tage saven ud af emnet eller trække den baglæns, så længe savklingen bevæger sig, da der ellers er risiko for et tilbageslag.
- ▶ Hvis du vil starte en sav, som befinder sig i et emne, skal du centrere savklingen i savsporet og kontrollere, at savtænderne ikke sidder fast i emnet.



- ▶ Vær specielt forsigtig ved savning i eksisterende vægge eller andre områder, hvor du ikke kan se, hvad de indeholder. Den neddykkende savklinge kan blokere ved savning i skjulte genstande og medføre et tilbageslag.
- ▶ Hold hyppigt pauser, og lav øvelser, så fingrene får bedre blodgennemstrømning. Ved længerevarende arbejde kan vibrationer medføre forstyrrelser af fingrenes, hændernes eller håndleddenes blodkar og nervesystem.
- ▶ Kig ikke direkte ind i produktets lampe (lysdiode), og lys ikke ind i ansigtet på andre personer. Der er fare for at blive blændet.
- ▶ Kontrollér, at båndsavklingen er monteret korrekt, før du begynder at save. En forkert monteret båndsavklinge kan sætte sig fast og medføre tilbageslag.
- ▶ Fare for personskader på grund af værktøj og/eller tilbehør, som falder på jorden. Kontrollér før arbejdets begyndelse, at batteriet og det monterede tilbehør er sikkert fastgjort.

### Elektrisk sikkerhed

- ▶ Kontrollér før påbegyndelse af arbejdet arbejdsområdet for skjulte elektriske ledninger, gas- og vandrør, f.eks. med en metaldetektor. Udvendige metaldele på produktet kan medføre elektrisk stød eller forårsage en eksplosion, hvis r du beskadiger en elledning, et gasrør eller et vandrør.
- ▶ I forbindelse med overskæring af rørledninger, f.eks. ved nedbrydnings- og installationsarbejder, er det vigtigt at sørge for, at ledningerne ikke længere indeholder væsker. Hvis de gør det, skal de tømmes forinden. Ved overskæring af rørledninger skal produktet holdes højere end den rørledning, der skal skræres over. Produktet har ingen beskyttelse mod indtrængen af fugt.

### Omhyggelig omgang med og brug af elværktøj

- ▶ Anvend kun båndsavklinger i den foreskrevne størrelse.
- ▶ Anvend ikke sløve eller beskadigede båndsavklinger. De forårsager en højere friktion, fastklemning eller tilbageslag af båndsavklingen.
- ▶ Overhold producentens anvisninger for håndtering og opbevaring af båndsavklinger.

## 2.4 Omhyggelig omgang med og brug af batterier

- ▶ **Overhold følgende sikkerhedsforanstaltninger for sikker håndtering og brug af Li-ion-batterier.** I modsat fald kan det medføre hudirritation, alvorlige ætsningsskader, kemiske forbrændinger, brand og/eller eksplosion.
- ▶ Anvend kun batterier i teknisk fejlfri stand.
- ▶ Batterier skal behandles forsigtigt for at undgå beskadigelser og udslip af meget sundhedsskadelige væsker!
- ▶ Batterier må under ingen omstændigheder modificeres eller manipuleres!
- ▶ Batterierne må ikke adskilles, klemmes, opvarmes til over 80 °C eller brændes.
- ▶ Anvend og oplad ikke batterier, som har fået stød eller på anden vis er blevet beskadiget. Kontrollér regelmæssigt dine batterier for tegn på skader.
- ▶ Anvend aldrig genbrugte eller reparerede batterier.
- ▶ Anvend aldrig batteriet eller et batteridrevet elværktøj som slagværktøj.
- ▶ Udsæt aldrig batterier for direkte solstråling, høj temperatur, gnister eller åben ild. Det kan medføre eksplosion.
- ▶ Bører ikke batteripolerne med dine fingre, værktøj, smykker eller andre elektrisk ledende genstande. Det kan beskadige batteriet og medføre personskader og materielle skader.
- ▶ Hold batterier på sikker afstand af regn, fugt og væsker. Indtrængende fugt kan medføre kortslutninger, elektrisk stød, forbrændinger, brand og eksplosion.
- ▶ Brug kun ladere og elværktøj, der er beregnet til denne batteritype. Overhold i den forbindelse oplysningerne i de tilhørende brugsanvisninger.
- ▶ Anvend og opbevar ikke batteriet i eksplosionsfarlige omgivelser.
- ▶ Hvis batteriet er for varmt til at kunne røres, kan det være defekt. Anbring batteriet på et overskueligt, ikke-brændbart sted med tilstrækkelig afstand til brændbare materialer. Lad batteriet køle af. Hvis batteriet efter en time fortsat er for varmt til at kunne røres, er det defekt. Kontakt **Hilti Service** eller læs dokumentet "Anvisninger om sikkerhed og anvendelse af **Hilti** Li-ion-batterier".



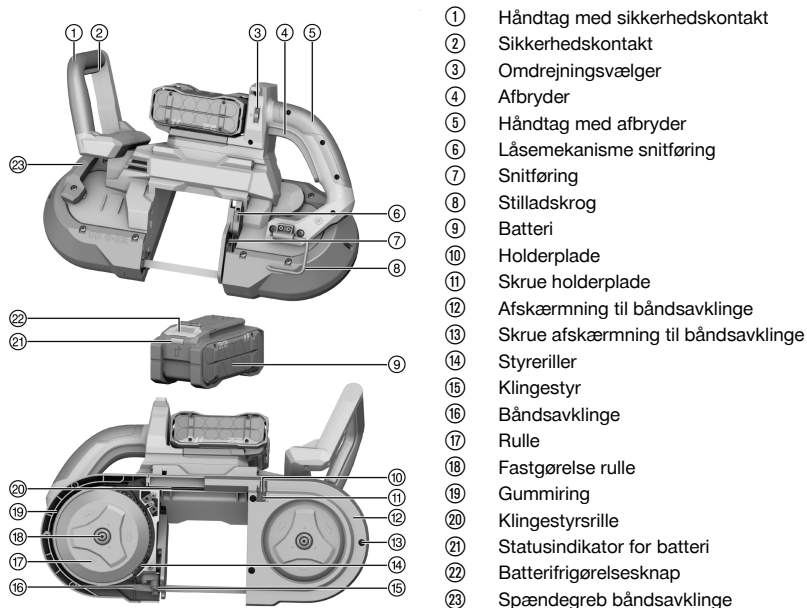
Vær opmærksom på de særlige retningslinjer, der gælder for transport, opbevaring og brug af Li-ion-batterier. → Side 70

Læs anvisningerne vedrørende sikkerhed og anvendelse til **Hilti** Li-ion-batterier, som du kan finde ved at scanne QR-koden sidst i denne brugsanvisning.



### 3 Beskrivelse

#### 3.1 Produktoversigt



- ① Håndtag med sikkerhedskontakt
- ② Sikkerhedskontakt
- ③ Omdrejningsvælger
- ④ Afbryder
- ⑤ Håndtag med afbryder
- ⑥ Låsemekanisme snitføring
- ⑦ Snitføring
- ⑧ Stilladskrog
- ⑨ Batteri
- ⑩ Holderplade
- ⑪ Skrue holderplade
- ⑫ Afskærmning til båndsavklinge
- ⑬ Skrue afskærmning til båndsavklinge
- ⑭ Styrierler
- ⑮ Klingestyr
- ⑯ Båndsavklinge
- ⑰ Rulle
- ⑱ Fastgørelse rulle
- ⑲ Gummiring
- ⑳ Klingestyrsrille
- ㉑ Statusindikator for batteri
- ㉒ Batterifrigørelsesknop
- ㉓ Spændegreb båndsavklinge

#### 3.2 Bestemmelsesmæssig anvendelse

Det beskrevne produkt er en batteridrevet båndsav. Den er beregnet til skæring af metalliske materialer og kunststoffer.

Produktet er beregnet til betjening med to hænder.

- Brug kun **Hilti** Nuron Li-ion-batterier fra B 22-serien til dette produkt. Af hensyn til en optimal effekt anbefaler **Hilti** at bruge de batterier, der fremgår af tabellen i slutningen af denne brugsanvisning, til dette produkt.
- Anvend kun **Hilti**-ladere fra de serier, der fremgår af tabellen i slutningen af denne brugsanvisning, til disse batterier.

#### 3.3 Leveringsomfang

Båndsav, brugsanvisning

Andre systemprodukter, som er godkendt til dit produkt, finder du i **Hilti Store** eller på: [www.hilti.group](http://www.hilti.group)

#### 3.4 Li-ion-batteriets indikatorer

**Hilti** Nuron Li-ion-batterier kan vise ladetilstand, fejlmeddelelser og batteriets tilstand.

##### 3.4.1 Visning af ladetilstand og fejlmeddelelser



#### ADVARSEL

**Fare for personskader på grund af batteri, der falder på gulvet!**

- ▶ Sørg for, at du ved isat batteri efter tryk på frigøringsknappen bringer batteriet korrekt i indgreb igen i det anvendte produkt.

For at få en af følgende visninger skal du trykke kort på batteriets frigøringsknop.

Ladetilstanden og evt. fejl vises også konstant, så længe det tilsluttede produkt er tændt.



Tilstand	Betydning
Fire (4) LED'er lyser konstant grønt	Ladetilstand: 100 % til 71 %
Tre (3) LED 'er lyser konstant grønt	Ladetilstand: 70 % til 51 %
To (2) LED 'er lyser konstant grønt	Ladetilstand: 50 % til 26 %
En (1) LED lyser konstant grønt	Ladetilstand: 25 % til 10 %
En (1) LED blinker langsomt grønt	Ladetilstand: < 10 %
En (1) LED blinker hurtigt grønt	Li-ion-batteriet er helt afladet. Oplad batteriet. Hvis LED'en stadig blinker hurtigt efter opladning af batteriet, bedes du kontakte <b>HiltiService</b> .
En (1) LED blinker hurtigt gult	Li-ion-batterier eller det dermed forbundne produkt er overbelastet, er for varmt, for koldt, eller der foreligger en anden fejl. Bring produktet og batteriet op på den anbefalede arbejdstemperatur, og overbelast ikke produktet under anvendelsen. Hvis meddelelsen stadig vises, bedes du kontakte <b>HiltiService</b> .
En (1) LED lyser gult	Li-ion-batteriet og det dermed forbundne produkt er ikke kompatible. Kontakt <b>Hilti Service</b> .
En (1) LED blinker hurtigt rødt	Li-ion-batteriet er låst og kan ikke længere anvendes. Kontakt <b>Hilti Service</b> .

### 3.4.2 Visning om batteriets tilstand

Hvis du ønsker at aflæse batteriets tilstand, skal du holde frigøringsknappen inde i mere end tre sekunder. Systemet registrerer ingen potentielle funktionsfejl for batteriet som følge af misbrug som f.eks. nedstyrning, perforeringer, eksterne varmeskader osv.

Tilstand	Betydning
Alle lysdioder lyser som løbelys, og derefter lyser én (1) lysdiode grønt.	Batteriet kan fortsat benyttes.
Alle lysdioder lyser som løbelys, og derefter blinker én (1) lysdiode hurtigt gult.	Forespørgslen om batteriets tilstand kunne ikke afsluttes. Gentag proceduren, eller kontakt <b>Hilti Service</b> .
Alle lysdioder lyser som løbelys, og derefter lyser én (1) lysdiode rødt.	Hvis et tilsluttet produktet fortsat kan benyttes, er den resterende batterikapacitet under 50%. Hvis et tilsluttet produktet ikke længere kan benyttes, er batteriet ved slutningen af sin levetid og skal udskiftes. Kontakt <b>Hilti Service</b> .

## 4 Tekniske data

Vægt i henhold til EPTA Procedure 01 uden batteri	6,5 kg
Nominal spænding	21,6 V
Omdrejningstal, ubelastet	150 m/min
Maks. skæredybde	127 mm
Mål, produkt. (Længde x bredde x højde)	525 mm x 175 mm x 375 mm
Mål båndsavklinge (Længde x bredde x tykkelse)	1.140 mm x 12,4 mm x 0,5 mm
Omgivende temperatur under drift	-17 °C ... 60 °C
Opbevaringstemperatur	-20 °C ... 70 °C

### 4.1 Batteri

Batteriets driftsspænding	21,6 V
Vægt, batteri	Se bagest i denne brugsanvisning



Omgivende temperatur under drift	-17 °C ... 60 °C
Opbevaringstemperatur	-20 °C ... 40 °C
Batteriets temperatur ved start af ladning	-10 °C ... 45 °C

## 4.2 Støjinformation og vibrationsværdier iht. EN 60745

Lydtryk- og vibrationsværdier i denne brugsanvisning er målt i henhold til en standardiseret målemetode og kan anvendes til sammenligning af forskellige elværktøjer. De kan også anvendes til en foreløbig vurdering af den eksponering, brugeren udsættes for. De anførte data repræsenterer elværktøjets primære anvendelsesformål. Hvis elværktøjet imidlertid anvendes til andre formål, med andre indsatsværktøjer eller utilstrækkelig vedligeholdelse, kan dataene afvige. Dette kan forøge den eksponering, som brugeren udsættes for, i hele arbejdstiden markant. For at opnå en præcis vurdering af den eksponering, som brugeren udsættes for, bør også den tid, hvor maskinen er slukket eller blot kører uden at blive anvendt, inddrages. Dette kan reducere den eksponering, som brugeren udsættes for, i hele arbejdstiden markant. Fastlæg yderligere sikkerhedsforanstaltninger til beskyttelse af brugeren mod støj- og/eller vibrationspåvirkninger, f.eks. er det vigtigt at vedligeholde elværktøj og indsatsværktøj, at holde hænderne varme og at organisere arbejdsprocesserne.

### Støjinformation

Lydeffektniveau ( $L_{WA}$ )	86 dB(A)
Usikkerhed, lydeffektniveau ( $K_{WA}$ )	3 dB(A)
Lydtrykniveau ( $L_{pA}$ )	75 dB(A)
Usikkerhed, lydtrykniveau ( $K_{pA}$ )	3 dB(A)

### Samlede vibrationsværdier

Vibrationsemissionsværdi, skæring i metal (ah,CM)	B 22-55	0,8 m/s <sup>2</sup>
	B 22-255	0,7 m/s <sup>2</sup>
Usikkerhed (K)		1,5 m/s <sup>2</sup>

## 5 Forberedelse af arbejdet

### ADVARSEL

#### Fare for personskader på grund af utilsigtet start!

- ▶ Før isætning af batteriet skal du kontrollere, at det tilhørende produkt er slukket.
- ▶ Fjern batteriet fra maskinen, inden du foretager indstillinger eller skifter tilbehørsdele på den.

Følg sikkerheds- og advarselshenvisningerne i denne dokumentation og på produktet.

### 5.1 Opladning af batteri

1. Læs brugsanvisningen til laderen før opladning.
2. Vær opmærksom på, at kontakterne på batteriet og laderen er rene og tørre.
3. Oplad batteriet i en godkendt lader. → Side 63

### 5.2 Isætning af batteri

### ADVARSEL

#### Fare for personskader på grund af kortslutning eller batteri, der falder på gulvet!

- ▶ Før isætning af batteriet skal du kontrollere, at batteriets kontakter og kontakterne på produktet er fri for fremmedlegemer.
- ▶ Kontrollér, at batteriet altid går korrekt i indgreb.

1. Lad batteriet helt op før første brugtagning.
2. Skub batteriet ind i produktet, indtil det går hørbart i indgreb.
3. Kontrollér, at batteriet er sat korrekt i.

### 5.3 Fjernelse af batteri

1. Tryk på batteriets frigøringsknap.



2. Træk batteriet ud af produktet.

## 5.4 Udskiftning af båndsavklinge

### ADVARSEL

**Fare for personskader i forbindelse med båndsavklingen.** Båndsavklingen kan være varmt og/eller skarpt, og det kan under visse omstændigheder knække.

- ▶ Brug beskyttelseshandsker og øjenværn ved arbejdet og ved udskiftning af båndsavklingen.
- ▶ Brug kun båndsaven med korrekt monteret afskærmning til båndsavklingen.
- ▶ Læg en aldrig en båndsav, der lige har været i brug, på et brændbart underlag.

### VIGTIGT

**Materielle skader på grund af forkert båndsavklinge.** En forkert båndsavklinge kan medføre tidlig materialetræthed og skader på båndsaven.

- ▶ Vælg den korrekte båndsavklinge til båndsaven og det materiale, der skal skæres.
- ▶ Vælg en båndsavklinge med den rette tanddeling (antal tænder pr. tomme) til det materiale, der skal savs i: højere tanddeling til hårde/tynde materialer; lavere tanddeling til bløde/tykke materialer.
- ▶ Brug kun båndsavklinger med en tykkelse på 0,5 mm. Tykkere båndsavklinger giver højere bøjebelastning og hurtigere nedslidning af savtænderne.
- ▶ Vælg båndsavklingen, så der ligger mindst to tænder på emnet.
- ▶ Brug kun båndsavklinger på 1140 mm × 12,5 mm × 0,5 mm.

1. Løs skruerne mellem de to afskærmning til båndsavklingen.
2. Tag de to afskærmninger til båndsavklingen af.
3. Drej spændegrebet til anslag.
  - ▶ Båndsavklingen løsnes.
4. Tag den gamle båndsavklinge ud af styret, og bortskaf båndsavklingen.
5. Læg den nye båndsavklinge ind i klingestyret.
6. Før den nye båndsavklinge rundt om de to ruller.
7. Læg den nye båndsavklinge ind i klingestyrsrillen.
8. Kontrollér, at båndsavklingen sidder korrekt.
9. Drej spændegrebet til anslag.
  - ▶ Båndsavklingen spændes.
10. Sæt de to afskærmninger til båndsavklingen på.
11. Spænd skruerne mellem de to afskærmninger til båndsavklingen.

## 5.5 Faldsikring

### ADVARSEL

**Fare for personskader** som følge af nedfaldende værktøj og/eller tilbehør!

- ▶ Anvend kun den **Hilti**-værktøjsikkerhedsline, som er beregnet til dit produkt.
- ▶ Kontrollér værktøjsikkerhedslinens fastgørelsespunkt for mulige skader før hver brug.

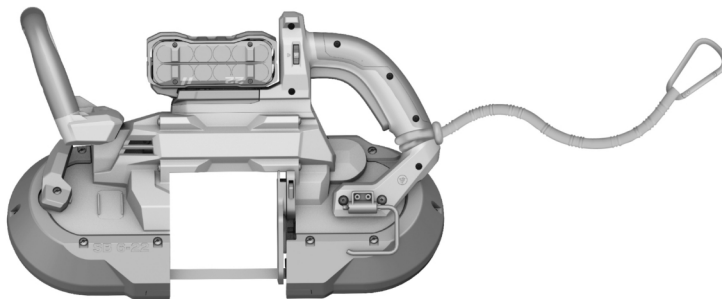


Overhold nationale retningslinjer for opgaver i højden.

Brug kun **Hilti** værktøjslinen #2261971 som sikring mod nedstyrtning af dette produkt.







- ▶ Fastgør værktøjslinen til produktet med løkken som vist på billedet. Kontroller, at den sidder sikkert.
- ▶ Fastgør karabinhagen på en bærende struktur. Kontrollér, at karabinhagen sidder godt fast.



Overhold brugsanvisningen til **Hilti** værktøjslinen.

## 6 Betjening

Følg sikkerheds- og advarselshenvisningerne i denne dokumentation og på produktet.

### 6.1 Indstilling af snitføring

1. Tryk på låsemekanismen til snitføringen, og hold den inde.
2. Flyt snitføringen op i den ønskede højde.
3. Slip låsemekanismen til snitføringen.

### 6.2 Savning

#### ADVARSEL

**Fare for personskader** som følge af tilbageslag af båndsavens.

- ▶ Fastgør emnet, f.eks. i en skruestik, før du saver.
- ▶ Juster båndsav og emne i forhold til hinanden.

#### ADVARSEL

**Fare for personskader** på grund af savens efterløb.

- ▶ Løft først produktet op fra emnet, når den er standset helt.
- ▶ Vent, indtil produktet er standset helt, før du lægger det fra dig.

#### ADVARSEL

**Fare for personskader i forbindelse med båndsavklingen.** Båndsavklingen kan være varmt og/eller skarpt, og det kan under visse omstændigheder knække.

- ▶ Brug beskyttelseshandsker og øjenværn ved arbejdet og ved udskiftning af båndsavklingen.
- ▶ Brug kun båndsavens med korrekt monteret afskærmning til båndsavklingen.
- ▶ Læg en aldrig en båndsav, der lige har været i brug, på et brændbart underlag.



**⚠ VIGTIGT**

**Materielle skader på grund af forkert båndsavklinge.** En forkert båndsavklinge kan medføre tidlig materialetræthed og skader på båndsavens.

- ▶ Vælg den korrekte båndsavklinge til båndsavens og det materiale, der skal skæres.
- ▶ Vælg en båndsavklinge med den rette tanddeling (antal tænder pr. tomme) til det materiale, der skal saves i: højere tanddeling til hårde/tynde materialer; lavere tanddeling til bløde/tykke materialer.
- ▶ Brug kun båndsavklinger med en tykkelse på 0,5 mm. Tykkere båndsavklinger giver højere bøjebelastning og hurtigere nedslidning af savtænderne.
- ▶ Vælg båndsavklingen, så der ligger mindst to tænder på emnet.
- ▶ Brug kun båndsavklinger på 1140 mm × 12,5 mm × 0,5 mm.

Kontrollér regelmæssigt gummiringen for skader.

Fjern støv og spåner fra afskærmningen til båndsavklingen og snitføringen hver gang efter endt arbejde for at give båndsavens en længere levetid.



For at starte båndsavens skal du: Først trykke på afbryderen og derefter på sikkerhedskontakten og holde dem begge inde.



Båndsavens egenvægt er nok til at udføre snittet. Du behøver ikke trykke ekstra på båndsavens.

1. Skift om nødvendigt gummiringen. → Side 69
2. Skift om nødvendigt båndsavklingen. → Side 66
3. Tryk på afbryderen, og hold den inde.
4. Tryk på sikkerhedskontakten, og hold den inde.
5. Sæt båndsavens ned på emnet, så der er så mange savtænder som muligt i kontakt med emnet.
6. Udfør savearbejdet.



Før båndsavens, så der så vidt muligt altid er tre savtænder i snittet.

7. Slip afbryderen.

## 7 Rengøring og vedligeholdelse

**ADVARSEL**

**Fare for personskader ved isat batteri !**

- ▶ Fjern altid batteriet før alle pleje- og vedligeholdelsesarbejder!

### Pleje af produktet

- Fjern fastsiddende snavs forsigtigt.
- Rengør forsigtigt evt. ventilationsåbninger med en tør, blød børste.
- Rengør kun huset med en hårdt opvredet klud. Brug ikke silikoneholdige plejemidler, da de kan angribe plastdelene.
- Brug en ren, tør klud til at rengøre kontakterne på produktet.

### Pleje af Li-ion-batterier

- Anvend aldrig et batteri med tilstoppede ventilationsåbninger. Rengør forsigtigt ventilationsåbningerne med en tør, blød børste.
- Undgå, at batteriet unødigt udsættes for støv og snavs. Udsæt aldrig batteriet for høj fugtighed (f.eks. dykke det i vand eller lade det stå ude i regnvejr). Hvis et batteri er blevet gennemvådt, skal det behandles som et beskadiget batteri. Isolér det i en ikke-brændbar beholder, og kontakt **Hilti Service**.
- Hold batteriet frit for udefrakommende olie og fedt. Lad ikke unødigt støv og snavs samle sig på batteriet. Rengør batteriet med en tør, blød børste eller en ren, tør klud. Brug ikke silikoneholdige plejemidler, da de kan angribe plastdelene.  
Berør ikke batteriets kontakter, og fjern ikke det fedt fra kontakterne, som er påført fra fabrikken.



- Rengør kun huset med en hårdt opvredet klud. Brug ikke silikoneholdige plejemidler, da de kan angribe plastdelene.

### Vedligeholdelse

- Kontrollér regelmæssigt alle synlige dele for skader og betjeningselementerne for fejlfri funktion.
- Anvend ikke produktet i tilfælde af beskadigelse og/eller funktionsfejl. Få straks produktet repareret af **Hilti Service**.
- Monter alle beskyttelsesanordninger efter pleje- og vedligeholdelsesarbejder, og kontroller dem for korrekt funktion.



Anvend kun originale reservedele og forbrugsmaterialer af hensyn til en sikker drift. Reservedele, forbrugsmaterialer og tilbehør til dit produkt, som **Hilti** har godkendt, finder du i din **Hilti Store** eller under: [www.hilti.group](http://www.hilti.group)

### 7.1 Udskiftning af afskærmning til båndsavklinge 5



Skift afskærmningen til båndsavklingen, så snart du konstaterer skader.

1. Løsn skruerne til afskærmningen til båndsavklingen.
2. Fjern og bortskaf den beskadigede afskærmning til båndsavklingen.
3. Sæt den nye afskærmning til båndsavklingen på båndsavnen.
4. Spænd skruerne til afskærmningen til båndsavklingen med 2-3 Nm.

### 7.2 Udskiftning af gummiring 6



Skift gummiringen, så snart du konstaterer skader på den.

1. Afmonter båndsavklingen → Side 66.
2. Fjern gummiringen.
3. Kontrollér styrerillerne for snavs, og rengør dem om nødvendigt.
4. Spænd den nye gummiring fast på rullen til båndsavklingen.
5. Juster gummiringen, så den slutter helt tæt med styrerillen.
6. Monter båndsavklingen igen. → Side 66.

### 7.3 Udskiftning af klingestyr 7



Skift klingestyret, så snart du konstaterer, at det er beskadiget, f.eks. når båndsavklingen har fræset en not i det.

1. Afmonter båndsavklingen → Side 66.
2. Løsn de to skruer i klingestyret.
3. Tag det beskadigede klingestyr ud af båndsavnen, og bortskaf klingestyret.
4. Sæt det nye klingestyr i båndsavnen.
5. Spænd de to skruer til klingestyret med 2-3 Nm.
6. Monter båndsavklingen igen. → Side 66.

### 7.4 Udskiftning af holderplade 8



Skift holderpladen, så snart båndsavklingen kører imod eller sidder fast.

1. Afmonter båndsavklingen → Side 66.
2. Løsn skruen til holderpladen.
3. Tag den beskadigede holderplade ud af båndsavnen, og bortskaf holderpladen.
4. Sæt den nye holderplade i båndsavnen.
5. Spænd skruen til holderpladen med 2-3 Nm.



## 8 Transport og opbevaring af batteridrevet værktøj og batterier

### Transport

#### FORSIGTIG

#### Uønsket start ved transport !

- ▶ Transportér altid dine produkter uden isat batteri!
- ▶ Tag batteriet/batterierne af.
- ▶ Transportér aldrig batterier liggende løst og ubeskyttet. Under transporten bør batterierne beskyttes mod hårde slag og vibrationer og isoleres fra enhver form for ledende materialer eller andre batterier, så de ikke kommer i kontakt med andre batteripoler og forårsager en kortslutning. **Overhold de lokale transportforskrifter for batterier.**
- ▶ Batterier må ikke sendes med posten. Henvend dig til et transportfirma, hvis du ønsker at sende ubeskadigede batterier.
- ▶ Kontrollér produktet og batterierne for skader hver gang før brug og før og efter længere transport.

### Opbevaring

#### ADVARSEL

#### Uønsket beskadigelse på grund af defekte eller utætte batterier !

- ▶ Opbevar altid dine produkter uden isat batteri!
- ▶ Opbevar produkt og batterier køligt og tørt. Overhold de temperaturgrænser, der fremgår af de tekniske data.
- ▶ Opbevar ikke batterier i laderen. Tag batteriet ud af laderen, når opladningen er gennemført.
- ▶ Opbevar aldrig batterier i direkte sollys, på varmekilder eller i et vindue.
- ▶ Opbevar produkt og batterier utilgængeligt for børn og uvedkommende personer.
- ▶ Kontrollér produktet og batterierne for skader hver gang før brug og før og efter længere tids opbevaring.

## 9 Fejlafhjælpning

Vær opmærksom på batteriets statusindikator ved alle fejl. Se kapitlet **Li-ion-batteriets indikatorer**.

Ved fejl, som ikke fremgår af denne tabel, eller som du ikke selv kan afhjælp, beder vi dig om at kontakte **Hilti Service**.

Fejl	Mulig årsag	Løsning
Produktet har ikke fuld ydelse.	Afbryderen er ikke trykket helt ind.	▶ Tryk afbryderen helt i bund.
Det er ikke muligt at tænde produktet.	Startspærren ikke aktiveret.	▶ Aktivér startspærren.
Produktet starter ikke.	Båndsavklinge blokeret	▶ Kontrollér, om båndsavklingen er monteret korrekt og/eller er beskadiget.
Batteriets lysdioder viser ingenting	Batteriet er defekt	▶ Kontakt <b>Hilti Service</b> .

## 10 Bortskaffelse

#### ADVARSEL

**Fare for personskader på grund af ukorrekt bortskaffelse!** Sundhedsfare på grund af udtrængen af gasser eller væsker.

- ▶ Beskadigede batterier må under ingen omstændigheder sendes!
- ▶ Tildæk kontakterne med et ikke-ledende materiale, så kortslutninger undgås.
- ▶ Bortskaf batterier på en sådan måde, at børn ikke kan få fat på dem.
- ▶ Bortskaf batteriet hos din **Hilti Store**, eller henvend dig til det ansvarlige renovationsfirma.



Størstedelen af de materialer, som anvendes ved fremstillingen af **Hilti**-produkter, kan genvindes. Materialerne skal dog sorteres, før de kan genvindes. I mange lande kan du aflevere dine udtjente produkter til **Hilti**, som derefter genvinder dem. Spørg **Hilti**'s kundeservice eller din forhandler.



- ▶ Elværktøj, elektriske maskiner og batterier må ikke bortskaffes sammen med almindeligt husholdningsaffald!

## 11 Producentgaranti

- ▶ Hvis du har spørgsmål vedrørende garantibetingelserne, bedes du henvende dig til din lokale **Hilti**-partner.

## 12 Yderligere oplysninger

Yderligere oplysninger vedrørende betjening, teknik, miljø og recycling finder du under følgende link: [qr.hilti.com/manual/?id=2354065&id=2354067](http://qr.hilti.com/manual/?id=2354065&id=2354067)

Dette link finder du også sidst i dokumentationen som QR-kode.

# Originalbrugsanvisning

## 1 Anvisningar om bruksanvisning

### 1.1 Om denna bruksanvisning

- Läs noga igenom den här bruksanvisningen innan du använder verktyget. Det är en förutsättning för säkert arbete och problemfri hantering.
- Observera de säkerhets- och varningsanvisningar som du hittar i denna bruksanvisning och på produkten.
- Förvara alltid bruksanvisningen tillsammans med produkten och överlämna aldrig produkten till någon annan utan att bifoga den.

### 1.2 Teckenförklaring

#### 1.2.1 Varningar

Varningarna är till för att varna för risker i samband med användning av produkten. Följande riskindikeringar används:



**FARA**

**FARA !**

- ▶ Anger överhängande risker som kan leda till svåra personskador eller dödsolycka.



**VARNING**

**VARNING !**

- ▶ Anger potentiella risker som kan leda till svåra personskador eller dödsfall.



**FÖRSIKTIGHET**

**FÖRSIKTIGHET !**

- ▶ Används för att uppmärksamma om en potentiell risksituation som kan leda till skador på person eller utrustning.

#### 1.2.2 Symboler i bruksanvisningen

I den här bruksanvisningen används följande symboler:



Observera bruksanvisningen



Anmärkningar och annan praktisk information



	Hantering av återvinningsbara material
	Elverktyg och batterier får inte kastas i hushållssoporna
	<b>Hilti</b> Litiumjonbatteri
	<b>Hilti</b> Batteriladdare

### 1.2.3 Symboler i bilderna

Följande symboler används i bilder:

	Dessa siffror hänvisar till motsvarande bild i början av bruksanvisningen.
3	Numreringen återger ordningsföljden hos arbetsmomenten på bilden och kan skilja sig från arbetsmomenten i texten.
	På bilden <b>Översikt</b> används positionsnummer som hänvisar till siffrorna i teckenförklaringen i avsnittet <b>Produktöversikt</b> .
	Det här tecknet används när du bör vara särskilt uppmärksam vid hantering av produkten.

## 1.3 Produktberoende symboler

### 1.3.1 Symboler på produkten

Följande symboler kan förekomma på produkten:

	Likström
	Rotationsriktningspil
	Produkten stöder NFC-teknik, som är kompatibel med iOS- och Android-plattformar.
Li-Ion	Litiumjonbatteri
	Slå aldrig med något föremål på batteriet och använd aldrig batteriet som slagverktyg.
	Låt inte batteriet falla ner på marken. Använd inte batterier som har utsatts för slag eller på annat sätt har skadats.

## 1.4 Produktinformation

**HILTI**-produkter är avsedda för professionella användare och får endast användas, underhållas och repareras av auktoriserad, utbildad personal. Personalen måste vara särskilt informerad om de risker som finns. Produkten och dess tillbehör kan utgöra en risk om den används på ett felaktigt sätt av utbildad personal eller inte används enligt föreskrifterna.

Typbeteckning och serienummer anges på typskylten.

- ▶ Använd de serienummer som anges i följande tabell. Du behöver produktuppgifterna när du kontaktar vår återförsäljare eller serviceverkstad.

#### Produktdetaljer

Batteridrivna bandsåg	SB 6-22
Generation	01
Serienr	

## 1.5 Försäkran om överensstämmelse

Härmed intygar tillverkaren med ensamt ansvar att produkten som beskrivs överensstämmer med gällande lagstiftning och standarder. En bild på försäkran om överensstämmelse hittar du i slutet av dokumentationen. Den tekniska dokumentationen finns sparad här:

**Hilti** Entwicklungsgesellschaft mbH | Zulassung Geräte | Hiltistraße 6 | 86916 Kaufering, Tyskland



## 2 Säkerhet

### 2.1 Allmänna säkerhetsföreskrifter för elverktyg

**⚠️ VARNING** Läs noga igenom alla säkerhetsföreskrifter, anvisningar, avbildningar och tekniska data som medföljer detta elverktyg. Om nedanstående anvisningar inte följs, finns risk för elektriska stötår, brand och/eller svåra skador.

**Förvara alla säkerhetsföreskrifter och anvisningarna på ett säkert ställe för framtida användning.**

Begreppet "elverktyg" som används i säkerhetsföreskrifterna avser nätdrivna elverktyg (med nätkabel) och batteridrivna elverktyg (sladdlösa).

#### Säker arbetsmiljö

- ▶ **Håll arbetsområdet rent och väl belyst.** Oordning eller bristfällig belysning på arbetsplatsen kan leda till olyckor.
- ▶ **Arbeta inte med elverktyget i omgivningarna med explosionsrisk där det finns brännbara vätskor, gaser eller damm.** Elverktyg alstrar gnistor som kan antända dammet eller gaserna.
- ▶ **Håll barn och obehöriga personer på betryggande avstånd under arbetet med elverktyget.** Om du störs av obehöriga personer kan du förlora kontrollen över verktyget.

#### Elsäkerhet

- ▶ **Elverktygets elkontakt måste passa till vägguttaget. Elkontakten får absolut inte ändras. Använd inte adapterkontakter tillsammans med skyddsjordade elverktyg.** Originalkontakter och lämpliga vägguttag minskar risken för elstötår.
- ▶ **Undvik kroppskontakt med jordade ytor som rör, värmeelement, spisar och kylskåp.** Det finns en större risk för elstötår om din kropp är jordad.
- ▶ **Skydda elverktyget från regn och väta.** Tränger vatten in i ett elverktyg ökar risken för elstötår.
- ▶ **Använd inte anslutningskabeln på ett felaktigt sätt, t.ex. genom att bära eller hänga upp elverktyget i den eller dra i den för att lossa elkontakten ur vägguttaget. Håll anslutningskabeln på avstånd från värmekällor, olja, vassa kanter och rörliga delar.** Skadade eller tilltrasslade anslutningskablar ökar risken för elstötår.
- ▶ **När du arbetar med ett elverktyg utomhus, använd endast förlängningskablar som är avsedda för utomhusbruk.** Genom att använda en lämplig förlängningskabel för utomhusbruk minskar du risken för elstötår.
- ▶ **Om det är alldeles nödvändigt att använda verktyget i fuktig miljö ska du använda en jordfelsbrytare.** Användning av jordfelsbrytare minskar risken för elstötår.

#### Personsäkerhet

- ▶ **Var uppmärksam, ha uppsikt över vad du gör och använd elverktyget med förnuft. Använd aldrig elverktyg om du är trött eller påverkad av droger, alkohol eller medicin.** En kort sekund av bristande uppmärksamhet när du arbetar med ett elverktyg kan leda till att du skadar dig själv eller någon annan svårt.
- ▶ **Bär alltid personlig skyddsutrustning och skyddsglasögon.** Genom att använda personlig skyddsutrustning som t.ex. dammskyddsmask, halkfria säkerhetsskor, hjälm eller hörselskydd, beroende på vilket elverktyg du använder och till vad, minskar du risken för kroppsskada.
- ▶ **Undvik oavsiktlig igångsättning. Se till att elverktyget är fränkopplat innan du ansluter det till nätströmmen och/eller batteriet, tar upp det eller bär det.** Om du bär elverktyget med fingret på strömbrytaren eller ansluter ett tillkopplat verktyg till nätströmmen kan en olycka inträffa.
- ▶ **Ta bort alla inställningsverktyg och skruvnycklar innan du kopplar in elverktyget.** Ett verktyg eller en nyckel i en roterande komponent kan leda till skador.
- ▶ **Undvik en onormal kroppshållning. Se till att du står stadigt och håller balansen.** Då kan du lättare kontrollera elverktyget i oväntade situationer.
- ▶ **Bär lämpliga kläder. Bär inte löst hängande kläder eller smycken. Håll håret, kläderna och handskarna på avstånd från rörliga delar.** Löst hängande kläder, smycken och långt hår kan dras in av roterande delar.
- ▶ **När du använder elverktyg med anordningar för uppsugning och uppsamling av damm, bör du kontrollera att dessa anordningar är rätt monterade och används korrekt.** Används en dammsugare kan faror som orsakas av damm minskas.
- ▶ **Invagga dig inte i falsk säkerhet och strunta inte säkerhetsreglerna för elverktyg även om du har stor vana vid att arbeta med elverktyget.** Oförsiktig hantering kan leda till allvarliga skador inom bråkdelar av en sekund.

#### Användning och hantering av elverktyg

- ▶ **Överbelasta inte verktyget. Använd elverktyg som är avsedda för det aktuella arbetet.** Med ett lämpligt elverktyg kan du arbeta bättre och säkrare inom angivet effektområde.



- ▶ **Använd aldrig elverktyget om strömbrytaren är defekt.** Ett elverktyg som inte kan kopplas in eller ur är farligt och måste repareras.
- ▶ **Dra ut elkontakten ur uttaget och/eller ta i förekommande fall bort det löstagbara batteriet innan du gör inställningar, byter tillbehör eller lägger ifrån dig verktyget.** Denna skyddsåtgärd förhindrar att du eller någon annan råkar sätta igång elverktyget av misstag.
- ▶ **Förvara elverktyg oåtkomligt för barn. Verktyget får inte användas av personer som inte är vana eller inte har läst dessa anvisningar.** Elverktyg är farliga om de används av oerfarna personer.
- ▶ **Underhåll elverktygen och tillbehören noggrant. Kontrollera att rörliga komponenter fungerar felfritt och inte kärvar och att komponenter inte har brustit eller skadats så att elverktygets funktion påverkas negativt. Se till att skadade delar repareras innan verktyget används igen.** Många olyckor orsakas av dåligt skötta elverktyg.
- ▶ **Håll insatsverktygen skarpa och rena.** Omsorgsfullt skötta insatsverktyg med skarpa eggar kommer inte så lätt i kläm och går lättare att styra.
- ▶ **Använd elverktyg, tillbehör, insatsverktyg osv. enligt dessa anvisningar. Ta hänsyn till arbetsvillkoren och arbetsmomenten.** Används elverktyget på icke ändamålsenligt sätt kan farliga situationer uppstå.
- ▶ **Se till att handtaget och greppytorna är torra, rena och fria från olja och fett.** Med hala handtag och gripytor går det inte att hantera och kontrollera elverktyget säkert i oväntade situationer.

#### **Användning och hantering av batteriverktyg**

- ▶ **Ladda endast batterierna i de laddare som tillverkaren har rekommenderat.** Brandrisk kan uppstå om en laddare som är avsedd för en viss typ av batterier används för andra batterityper.
- ▶ **Använd endast batterier som är avsedda för aktuellt elverktyg.** Används andra batterier finns det risk för kroppsskada och brand.
- ▶ **Håll gem, mynt, nycklar, spikar, skruvar och andra små metallföremål på avstånd från reservbatterier för att undvika kortslutning av kontakterna.** En kortslutning av batteriets kontakter kan leda till brännskador eller brand.
- ▶ **Om batteriet används på fel sätt kan vätska rinna ur batteriet. Undvik kontakt med vätskan. Vid oavsiktlig kontakt, skölj med vatten. Om vätska kommer i kontakt med ögonen, uppsök dessutom läkare.** Batterivätskan kan orsaka hudirritation eller brännskada.
- ▶ **Använd aldrig skadade eller egenhändigt modifierade batterier.** Skadade eller modifierade batterier kan bete sig oförutsägbart och orsaka brand, explosioner eller risk för skador.
- ▶ **Utsätt aldrig batterier för öppen eld eller för höga temperaturer.** Öppen eld eller temperaturer över 130 °C (265 °F) kan orsaka explosion.
- ▶ **Följ alla anvisningar för laddning och ladda aldrig batteriet eller batteriverktyget vid temperaturer som ligger utanför det intervall som anges i bruksanvisningen.** Felaktigt utförd laddning eller laddning vid temperaturer utanför det tillåtna intervallet kan förstöra batteriet och öka risken för brand.

#### **Service**

- ▶ **Låt endast kvalificerad fackpersonal reparera elverktyget och använd då endast originalreservdelar.** Detta garanterar att verktygets säkerhet upprätthålls.
- ▶ **Utför aldrig underhåll på skadade batterier.** Underhåll av batterier får endast utföras av tillverkaren eller av auktoriserade kundservicecenter.

## **2.2 Säkerhetsanvisningar för bandsågar**

- ▶ **Håll i elverktygets isolerade greppytorna när du utför arbeten där insatsverktyget riskerar att stöta på dolda elledningar.** Vid kontakt med en spänningssatt ledning kan metalldelar på verktyget spänningssättas och ge dig en stöt.

## **2.3 Extra säkerhetsföreskrifter**

- ▶ Håll händerna borta från sågbandet och området omkring det. Håll den andra handen på handtaget med säkerhetsbrytaren. Om du håller sågen med båda händerna kan de inte skadas vid sågningen.
- ▶ Använd bara produkten och dess tillbehör om de är fullt funktionsdugliga.
- ▶ Produkten eller dess tillbehör får inte byggas om eller ändras.
- ▶ Sätt inte på produkten förrän den är i arbetsläget.
- ▶ Rör inte vid roterande delar – risk för personskada!
- ▶ Var försiktig när du tar upp produkten eller bär den eftersom sågbandet är vasst och kan orsaka skärskador och materiella skador.
- ▶ Använd alltid skyddsglasögon, skyddshjälm och hörselskydd när du använder produkten.





- ▶ Använd skyddshandskar vid verktygsbyte. Det finns risk för skär- och brännskador vid beröring av nysst använda insatsverktyg.
- ▶ Damm som uppstår vid slipning, polering, kapning och borring kan innehålla farliga kemikalier. Exempel på sådana är: bly eller blybaserade färger, tegel, betong och andra murverksprodukter, natursten och andra produkter som innehåller silikat, Vissa träslag som ek och bok samt kemiskt behandlat trä, asbest eller material som innehåller asbest. Fastställ exponeringen för användaren och personer i närheten av arbetsområdet genom att kontrollera vilken riskklass det material som ska bearbetas tillhör. Vidta nödvändiga åtgärder för att hålla exponeringen på en säker nivå. Använd t.ex. ett dammuppsamlingsystem eller bär lämpligt andningskydd. Allmänna åtgärder för att minska exponeringen är:
  - ▶ Arbeta i ett välventilerat utrymme,
  - ▶ Undvik längre kontakt med damm,
  - ▶ Led bort damm från ansiktet och kroppen,
  - ▶ Bär skyddskläder och tvätta exponerade områden med tvål och vatten.
- ▶ Använd endast bandsågen med korrekt monterat sågbandsskydd för att förhindra personskador.
- ▶ Använd alltid ett anslag eller en rak kantföring vid sågning på längden. Detta leder till en bättre sågprecision och minskar risken för att sågklingan kör fast.
- ▶ Håll aldrig fast arbetsstycket som ska sågas med handen eller någon annan kroppsdel. Fäst arbetsstycket vid ett stabilt underlag. Det är viktigt att fästa arbetsstycket ordentligt för att undvika kontakt med kroppen, att sågklingan fastnar eller att man tappar kontrollen över verktyget.
- ▶ Håll alltid produkten stadigt med båda händerna i de avsedda handtagen och håll armarna så att du kan stå emot bakslagskrafterna.
- ▶ Se till att handtagen är torra, rena och fria från olja och fett.
- ▶ Håll sågklingan sidledes och se till att aldrig hålla den i linje med kroppen. Vid ett kast kan sågen hoppa bakåt!
- ▶ Se till att stå stadigt, framförlit vid arbete över huvudhöjd. Ett plötsligt genombrott kan göra att du tappar balansen!
- ▶ Säkra båda sidor av arbetsstycket vid genombrottsarbeten. Fallande delar kan orsaka personskador.
- ▶ Om sågklingan fastnar eller om du avbryter arbetet ska du koppla från sågen och hålla kvar sågen tills sågklingan har stannat helt. Försök aldrig att dra ut sågen ur arbetsstycket eller att dra den bakåt så länge klingan roterar och kan göra ett kast.
- ▶ Om du vill starta en såg igen som är instucken i ett arbetsstycke centerar du klingan i sågspåret och kontrollerar att tänderna inte har fastnat i arbetsstycket.
- ▶ Var extra försiktig vid sågning i befintliga väggar eller andra områden som du inte har full uppsikt över. Sågklingan kan fastna i dolda föremål och ett kast kan uppstå.
- ▶ Ta ofta paus i arbetet och utför fingerövningar som ökar blodgenomströmningen i fingrarna. Vid långvarigt, ihållande arbete kan de starka vibrationerna ge besvär i blodkärl och nerver i fingrarna, händerna och handlederna.
- ▶ Titta inte direkt in i produktens LED-belysning och undvik att lysa in ansiktet på andra personer. Risk för bländning.
- ▶ Säkerställ att sågbandet är korrekt monterat innan sågarbeten påbörjas. Ett felaktigt monterat sågband kan fastna och orsaka kast.
- ▶ Risk för personskada på grund av nedfallande verktyg och/eller tillbehör. Kontrollera att batteriet och det monterade tillbehöret sitter fast ordentligt innan du påbörjar arbetet.

### **Elsäkerhet**

- ▶ Undersök om det finns dolda el-, gas- och vattenledningar inom arbetsområdet innan du påbörjar arbetet. Utanpåliggande metalldelar på produkten kan orsaka elstöt eller explosion om du skadar en el-, gas- eller vattenledning.
- ▶ Kontrollera vid kapning av rörledningar, till exempel vid rivnings- och installationsarbeten, att ledningarna inte längre innehåller någon vätska. Töm dem annars innan de kapas. Håll produkten högre än den ledning som ska kapas vid kapning av rörledningar. Produkten är inte skyddad mot fukt.

### **Omsorgsfull hantering och användning av elverktyg**

- ▶ Använd endast sågband med specificerad storlek.
- ▶ Använd inga slöa eller skadade sågband. Sådana leder till ökad friktion, kärvning eller kast hos sågbandet.
- ▶ Följ tillverkarens anvisningar om hantering och förvaring av sågband.



## 2.4 Omsorgsfull hantering och användning av batterier

- ▶ **Observera följande säkerhetsanvisningar för säker hantering och användning av litiumjonbatterier.**  
Om åtgärderna inte följs kan det leda till hudirritation, svåra frätskador, kemiska brännskador, bränder och/eller explosioner.
- ▶ Använd endast batterier som är fullt funktionsdugliga.
- ▶ Hantera batterierna varsamt för att undvika skador och läckage av hälsovådliga syror!
- ▶ Batterier får absolut inte modifieras eller manipuleras!
- ▶ Batterier får inte tas isär, klämmas, upphettas till mer än 80 °C (176 °F) eller brännas upp.
- ▶ Använd inte och ladda inte batterier som har utsatts för slag eller på annat sätt är skadade. Kontrollera batterierna regelbundet för att se om de uppvisar tecken på skador.
- ▶ Använd aldrig återvunna eller reparerade batterier.
- ▶ Använd aldrig batteriet eller ett batteridrivet elverktyg som slagverktyg.
- ▶ Utsätt aldrig batterierna för direkt solljus, förhöjda temperaturer, gnistor eller öppna lågor. Detta kan leda till explosioner.
- ▶ Rör inte batteripolerna med dina fingrar, verktyg, smycken eller andra elektriskt ledande föremål av metall. Detta kan skada batteriet och orsaka såväl materiella skador som personskadorna.
- ▶ Håll batterierna borta från regn, väta och vätskor. Fukt som tränger sig in kan orsaka kortslutningar, elstötar, brännskador och explosioner.
- ▶ Använd endast batteriladdare och elverktyg som är avsedda för denna typ av batteri. Läs också igenom uppgifterna i motsvarande bruksanvisning.
- ▶ Använd inte och förvara inte batteriet i explosionsfarliga miljöer.
- ▶ Om batteriet är så hett att du inte kan ta i det kan det vara defekt. Ställ batteriet på en plats där inget riskerar att fatta eld och på betryggande avstånd från brännbart material. Låt batteriet svalna. Om batteriet efter en timme fortfarande är så hett att det inte går att ta i är det defekt. Kontakta **Hilti-service** eller läs dokumentet "Säkerhetsanvisningar vid användning av **Hilti** litiumjonbatterier".



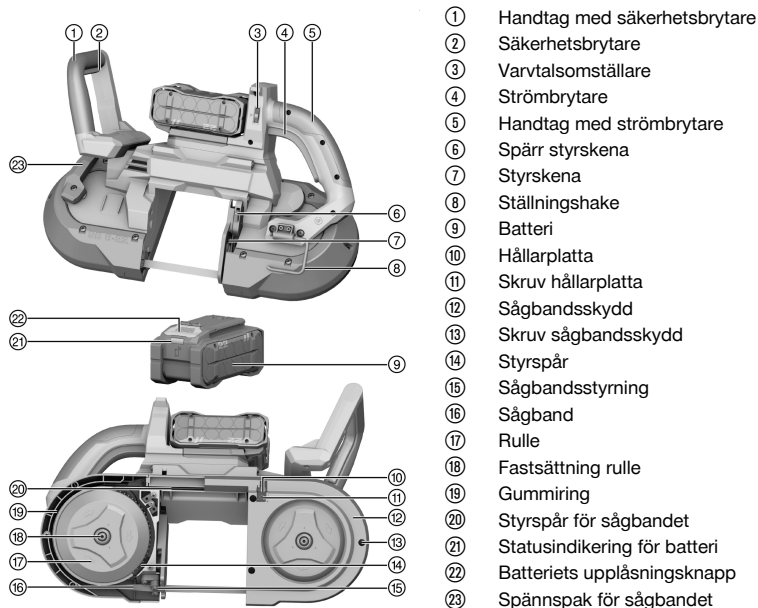
Följ de särskilda föreskrifter som gäller för transport, förvaring och användning av litiumjonbatterier.  
→ Sidan 84

Läs säkerhetsanvisningarna för användning av **Hilti** litiumjonbatterier som du hittar genom att skanna QR-koden i slutet av denna bruksanvisning.



### 3 Beskrivning

#### 3.1 Produktöversikt



- ① Handtag med säkerhetsbrytare
- ② Säkerhetsbrytare
- ③ Varvtalsomställare
- ④ Strömbrytare
- ⑤ Handtag med strömbrytare
- ⑥ Spärr styrskena
- ⑦ Styrskena
- ⑧ Ställningshake
- ⑨ Batteri
- ⑩ Hållarplatta
- ⑪ Skruv hållarplatta
- ⑫ Sågbandsskydd
- ⑬ Skruv sågbandsskydd
- ⑭ Styrspår
- ⑮ Sågbandsstyrning
- ⑯ Sågband
- ⑰ Rulle
- ⑱ Fastsättning rulle
- ⑲ Gummiring
- ⑳ Styrspår för sågbandet
- ㉑ Statusindikering för batteri
- ㉒ Batteriets upplåsningsknapp
- ㉓ Spännspak för sågbandet

#### 3.2 Avsedd användning

Den beskrivna produkten är en batteridrivna bandsåg. Den är avsedd för kapning av material av metall och plast.

Produkten är avsedd för tvåhandsfattning.

- Använd endast **Hilti** Nuron-litiumjonbatterier av typen B 22 med den här produkten. För optimal effekt rekommenderar **Hilti** att batterierna som anges i tabellen i slutet av bruksanvisningen används för denna produkt.
- Använd endast **Hilti**-batteriladdare från de typerier som anges i tabellen i slutet av bruksanvisningen för dessa batterier.

#### 3.3 Leveransinnehåll

Bandsåg, bruksanvisning

Dessutom finns fler systemprodukter för din produkt både i närmaste **Hilti Store** och på nätet: [www.hilti.group](http://www.hilti.group)

#### 3.4 Indikering för litiumjonbatteriet

**Hilti** Nuron litiumjonbatterier kan visa laddningsstatus, felmeddelanden och batteristatus.

##### 3.4.1 Visning av laddningsstatus och felmeddelanden



**VARNING**

**Risk för personskada på grund av nedfallande batterier.**

- ▶ När du har satt i batteriet och tryckt ner frigöringsknappen, kontrollera att batteriet har hakat i korrekt i verktyget igen.

För att visa följande indikeringar, tryck ner batteriets frigöringsknapp.

Laddningsstatus och eventuella störningar visas så länge den anslutna produkten är påslagen.



Status	Betydelse
Fyra (4) lysdioder lyser med fast grönt sken	Laddningsstatus: 100 % till 71 %
Tre (3) lysdioder lyser med fast grönt sken	Laddningsstatus: 70 % till 51 %
Två (2) lysdioder lyser med fast grönt sken	Laddningsstatus: 50 % till 26 %
En (1) lysdiod lyser med fast grönt sken	Laddningsstatus: 25 % till 10 %
En (1) lysdiod blinkar långsamt grönt	Laddningsstatus: < 10 %
En (1) lysdiod blinkar snabbt grönt	Litiumjonbatteriet är helt urladdat. Ladda batteriet. Kontakta <b>Hilti</b> -service om lysdioden fortfarande blinkar snabbt efter att batteriet har laddats.
En (1) lysdiod blinkar snabbt gult	Litiumjonbatteriet eller den anslutna produkten är överbelastad, för varm, för kall eller så föreligger ett annat fel. Ställ in produkten och batteriet på den rekommenderade arbetstemperaturen och undvik att överbelasta produkten vid användning. Kontakta <b>Hilti</b> -service om meddelandet kvarstår.
En (1) lysdiod lyser gult	Litiumjonbatteriet och produkten är inte kompatibla med varandra. Kontakta <b>Hilti</b> -service.
En (1) lysdiod blinkar snabbt rött	Litiumjonbatteriet är spärrat och kan inte användas. Kontakta <b>Hilti</b> -service.

### 3.4.2 Visning av batteristatus

För att kontrollera batteriets status, håll frigöringsknappen nedtryckt i minst tre sekunder. Systemet registrerar inga potentiella funktionsfel i batteriet till följd av missbruk som t.ex. fall, punkteringsskador, externa värmeskador osv.

Status	Betydelse
Alla lysdioder lyser i turordning och därefter lyser en (1) lysdiod grönt.	Batteriet kan fortfarande användas.
Alla lysdioder lyser i turordning och därefter blinkar en (1) lysdiod snabbt gult.	Begäran om batteristatus kunde inte slutföras. Upprepa proceduren eller kontakta <b>Hilti</b> -service.
Alla lysdioder lyser i turordning och därefter lyser en (1) lysdiod med fast rött sken.	Om en ansluten produkt kan fortsätta användas är den kvarvarande batterikapaciteten under 50 %. Om en ansluten produkt inte kan användas längre har batteriet nått slutet på sin livslängd och måste bytas ut. Kontakta <b>Hilti</b> -service.

## 4 Teknisk information

Vikt enligt EPTA Procedure 01 utan batteri	6,5 kg
Märkspänning	21,6 V
Tomgångsvarvtal	150 m/min
max. skärdjup	127 mm
Produktens mått (Längd x bredd x höjd)	525 mm x 175 mm x 375 mm
Mått sågband (Längd x bredd x tjocklek)	1 140 mm x 12,4 mm x 0,5 mm
Omgivningstemperatur vid drift	-17 °C ... 60 °C
Förvaringstemperatur	-20 °C ... 70 °C

### 4.1 Batteri

Batteriets driftspänning	21,6 V
Batteriets vikt	Se slutet av denna bruksanvisning
Omgivningstemperatur vid drift	-17 °C ... 60 °C



Förvaringstemperatur	-20 °C ... 40 °C
Batteritemperatur när laddningen påbörjas	-10 °C ... 45 °C

#### 4.2 Bullerinformation och vibrationsvärden enligt EN 60745

De ljudtrycks- och vibrationsvärden som anges i anvisningarna har uppmätts med en standardiserad mätmetod och kan användas för att jämföra olika elverktyg med varandra. De kan också användas för att göra en preliminär uppskattning av exponeringarna. De angivna värdena representerar borrhammarens huvudsakliga användning. När elverktyget begagnas inom andra områden, med andra insatsverktyg eller med otillräckligt underhåll, kan mätning ge avvikande värden. Det innebär att exponeringen under den totala arbetstiden kan ökas betydligt. För att uppskattningen av exponeringarna ska bli exakt bör man också räkna in de tider då verktyget är fränkopplat, eller då det är tillkopplat men inte används. Detta kan minska exponeringen betydligt under den totala arbetstiden. Vidta även andra säkerhetsåtgärder för att skydda användaren mot effekterna av buller och/eller vibrationer, exempelvis: Underhåll av elverktyg och insatsverktyg, möjlighet att hålla händerna varma, organisation av arbetsförloppen.

##### Bullerinformation

Ljudeffektnivå ( $L_{WA}$ )	86 dB(A)
Osäkerhet ljudeffektnivå ( $K_{WA}$ )	3 dB(A)
Ljudtrycksnivå ( $L_{pA}$ )	75 dB(A)
Osäkerhet ljudtrycksnivå ( $K_{pA}$ )	3 dB(A)

##### Sammanlagt vibrationsvärde

Vibrationsemissionsvärde vid kapning i metall (ah,CM)	B 22-55	0,8 m/s <sup>2</sup>
	B 22-255	0,7 m/s <sup>2</sup>
Osäkerhet (K)		1,5 m/s <sup>2</sup>

## 5 Förberedelser för arbete

### VARNING

#### Risk för personskada till följd av oavsiktlig start!

- ▶ Kontrollera att produkten är avstängd innan du sätter i batteriet.
- ▶ Ta alltid bort batteriet innan du gör några inställningar på verktyget eller byter tillbehörsdelar.

Observera de säkerhets- och varningsanvisningar som du hittar i dokumentationen och på själva enheten.

### 5.1 Laddning av batteri

1. Läs batteriladdarens bruksanvisning innan du laddar batteriet.
2. Se till att batteriets och batteriladdarens sladdar är rena och torra.
3. Ladda batteriet i en godkänd batteriladdare. → Sidan 77

### 5.2 Sätta i batteriet

### VARNING

#### Risk för personskada på grund av kortslutning eller nedfallande batteri!

- ▶ Kontrollera innan du sätter in batteriet i produkten att både batteriets och produktens kontakter är fria från smuts och andra hinder.
- ▶ Säkerställ att batteriet alltid hakar i ordentligt.

1. Ladda batterierna helt innan de används första gången.
2. Skjut in batteriet i produkten tills det hakar i med ett klick.
3. Kontrollera att batteriet sitter stadigt.

### 5.3 Ta ut batteriet

1. Tryck in upplåsningsknappen till batteriet.
2. Dra ut batteriet ur produkten.



## 5.4 Byt sågbandet 2

### VARNING

**Risk för personskador från sågbandet.** Sågbandet kan vara hett och/eller vasst och brista under vissa omständigheter.

- ▶ Använd skyddshandskar och ögonskydd under arbetet och vid byte av sågbandet.
- ▶ Använd endast bandsågen med korrekt monterat sågbandsskydd.
- ▶ Lägg aldrig en använd bandsåg på brännbart underlag.

### VARNING

**Materiella skador på grund av fel sågband.** Fel sågband kan leda till materialutmattning och skador på bandsågen i förtid.

- ▶ Välj korrekt sågband för bandsågen och materialet.
- ▶ Välj sågband med rätt tanddelning (tänder per tum) för materialet som ska sågas: högre tanddelning för hårda/tunna material; lägre tanddelning för mjuka/tjocka material.
- ▶ Använd endast sågband med tjockleken 0,5 mm. Sågband med större tjocklek leder till högre böjbelastning och snabbare slitage på sågtänderna.
- ▶ Välj sågband så att minst två tänder ligger an mot arbetsstycket.
- ▶ Använd endast sågband med måtten 1 140 mm × 12,5 mm × 0,5 mm.

1. Lossa skruvarna på de båda sågbandsskydden.
2. Ta bort de båda sågbandsskydden.
3. Vrid spännspaken till anslag.
  - ▶ Sågbandet slackas.
4. Ta ut det gamla sågbandet ur styrningen och avfallshanterar det.
5. Sätt in det nya sågbandet i sågbandsstyrningen.
6. Sätt dit det nya sågbandet runt de båda rullarna.
7. Sätt det nya sågbandet i sågbandets styrspår.
8. Kontrollera att sågbandet sitter korrekt.
9. Vrid spännspaken till anslag.
  - ▶ Sågbandet spänns.
10. Sätt dit de båda sågbandsskydden.
11. Dra åt skruvarna på de båda sågbandsskydden.

## 5.5 Fallskydd

### VARNING

**Risk för personskada** på grund av nedfallande verktyg och/eller tillbehör!

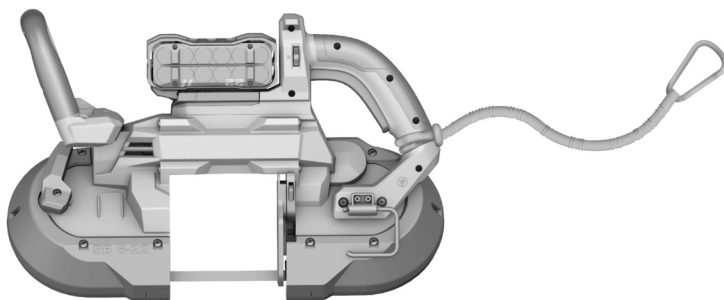
- ▶ Använd bara den **Hilti**-verktygslina som är rekommenderad för din produkt.
- ▶ Kontrollera om verktygslinans fästpunkt är skadad inför varje användning.



Observera nationella föreskrifter för arbeten på höga höjder.

Använd uteslutande **Hilti** verktygslina #2261971 som fallskydd för denna produkt.





- ▶ Fäst verktygslinan med ögla på produkten så som bilden visar. Kontrollera att det sitter stadigt fast.
- ▶ Fäst karbinhaken i en bärande struktur. Kontrollera att karbinhaken sitter fast ordentligt.



Följ bruksanvisningen till **Hilti** verktygslina.

## 6 Användning

Observera de säkerhets- och varningsanvisningar som du hittar i dokumentationen och på själva enheten.

### 6.1 Ställ in styrskenan

1. Tryck på spärren till styrskenan och håll den intryckt.
2. Flytta styrskenan till önskad höjd.
3. Släpp spärren till styrskenan.

### 6.2 Sågning 3, 4

#### VARNING

**Risk för personskada** på grund av kast hos bandsågen.

- ▶ Sätt fast arbetsstycket i t.ex. ett skruvstöd innan sågarbeten påbörjas.
- ▶ Rikta in bandsågen och arbetsstycket mot varandra.

#### VARNING

**Risk för personskada** på grund av eftergången hos sågen.

- ▶ Lyft inte produkten från arbetsstycket förrän den har stannat fullständigt.
- ▶ Vänta tills produkten stannat helt innan du lägger den ifrån dig.

#### VARNING

**Risk för personskador från sågbandet.** Sågbandet kan vara hett och/eller varmt och brista under vissa omständigheter.

- ▶ Använd skyddshandskar och ögonskydd under arbetet och vid byte av sågbandet.
- ▶ Använd endast bandsågen med korrekt monterat sågbandsskydd.
- ▶ Lägga aldrig en använd bandsåg på brännbart underlag.



**⚠ VARNING**

**Materiella skador på grund av fel sågband.** Fel sågband kan leda till materialutmattning och skador på bandsågen i förtid.

- ▶ Välj korrekt sågband för bandsågen och materialet.
- ▶ Välj sågband med rätt tanddelning (tänder per tum) för materialet som ska sågas: högre tanddelning för hårda/tunna material; lägre tanddelning för mjuka/tjocka material.
- ▶ Använd endast sågband med tjockleken 0,5 mm. Sågband med större tjocklek leder till högre böjbelastning och snabbare slitage på sågtänderna.
- ▶ Välj sågband så att minst två tänder ligger an mot arbetsstycket.
- ▶ Använd endast sågband med måtten 1 140 mm × 12,5 mm × 0,5 mm.

Kontrollera gummiringen regelbundet beträffande skador.

Ta bort damm och spån från sågbandsskydden och styrskenan efter varje arbetsförlopp för att förlänga bandsågens livslängd.



För att starta bandsågen måste man: Först trycka på strömbrytaren, därefter säkerhetsbrytaren och hålla dem intryckta.



Bandsågens egenvikt är tillräcklig för att utföra kapningen. Utöva inget extra tryck på bandsågen.

1. Byt gummiringen vid behov. → Sidan 83
2. Byt sågbandet vid behov. → Sidan 80
3. Håll in strömbrytaren.
4. Håll in säkerhetsbrytaren.
5. Sätt bandsågen mot arbetsstycket så att så många sågtänder som möjligt ligger an mot arbetsstycket.
6. Utför sågarbetet.



Håll bandsågen så att helst tre sågtänder alltid är kvar i snittet.

7. Släpp strömbrytaren.

## 7 Skötsel och underhåll

**⚠ VARNING**

**Risk för personskada vid anslutet batteri !**

- ▶ Ta alltid bort batteriet innan skötsel och underhåll utförs!

### Skötsel av produkten

- Ta försiktigt bort smuts som sitter fast.
- Rengör ventilationsspringorna försiktigt med en torr och mjuk borste i förekommande fall.
- Rengör höljet bara med en lätt fuktad trasa. Använd inte rengöringsmedel med silikon, eftersom det kan skada plastdelarna.
- Använd en ren och torr trasa för att rengöra produktens kontakter.

### Skötsel av litiumjonbatterier

- Använd aldrig ett batteri med tilltäppta ventilationsspringor. Rengör ventilationsspringorna försiktigt med en torr och mjuk borste.
- Undvik att utsätta batteriet för onödigt mycket damm eller smuts. Utsätt aldrig batteriet för hög fukt (t.ex. genom att sänka ner det i vatten eller låta det stå i regnet).  
Om ett batteri har blivit genomblött ska det hanteras som ett skadat batteri. Förvara det i en brandsäker behållare och kontakta **Hilti**-service.
- Håll batteriet fritt från främmande olja och fett. Låt inte onödigt mycket damm eller smuts ansamlas på batteriet. Rengör batteriet med en mjuk borste eller en ren och torr trasa. Använd inte rengöringsmedel med silikon, eftersom det kan skada plastdelarna.  
Rör inte vid batteriets kontakter och ta inte bort fett på kontakterna som har applicerats i fabriken.





- Rengör höljet bara med en lätt fuktad trasa. Använd inte rengöringsmedel med silikon, eftersom det kan skada plastdelarna.

#### Underhåll

- Kontrollera regelbundet att inga synliga delar har skadats och att alla reglage fungerar som de ska.
- Använd inte produkten om den uppvisar skador eller funktionsstörningar. Låt **Hilti Service** reparera produkten omgående.
- Efter skötsel- och underhållsarbeten ska alla skyddsanordningar monteras igen och kontrolleras.



Använd endast originalreservdelar och förbrukningsmaterial för säker drift. Godkända reservdelar, förbrukningsmaterial och tillbehör till din produkt från **Hilti** hittar du i närmaste **Hilti Store** eller på: [www.hilti.group](http://www.hilti.group)

### 7.1 Byt sågbandsskyddet



Byt sågbandsskyddet när skador fastställs.

1. Lossa skruvarna på sågbandsskyddet.
2. Ta bort det skadade sågbandsskyddet och avfallshandera det.
3. Sätt dit det nya sågbandsskyddet på bandsågen.
4. Dra åt skruvarna på sågbandsskyddet med 2 till 3 Nm.

### 7.2 Byt gummiringen



Byt gummiringen när skador fastställs.

1. Demontera sågbandet → Sidan 80.
2. Ta bort gummiringen.
3. Kontrollera att styrspåren är rena och rengör dem vid behov.
4. Spänn den nya gummiringen på rullen för sågbandet.
5. Rikta in gummiringen tills den sluter tätt mot styrspåren fullständigt.
6. Montera sågbandet. → Sidan 80.

### 7.3 Byt sågbandsstyrningen



Byt sågbandsstyrningen när skador fastställs, t.ex. om sågbandet lämnar ett infräst spår efter sig.

1. Demontera sågbandet → Sidan 80.
2. Lossa de båda skruvarna till sågbandsstyrningen.
3. Ta bort den skadade sågbandsstyrningen från bandsågen och avfallshandera sågbandsstyrningen.
4. Sätt in den nya sågbandsstyrningen i bandsågen.
5. Dra åt de båda skruvarna till sågbandsstyrningen med 2 till 3 Nm.
6. Montera sågbandet. → Sidan 80.

### 7.4 Byt hållarplattan



Byt hållarplattan om sågbandet slirar eller fastnar.

1. Demontera sågbandet → Sidan 80.
2. Lossa skruven till hållarplattan.
3. Ta ut den skadade hållarplattan ur bandsågen och avfallshandera hållarplattan.
4. Sätt in den nya hållarplattan i bandsågen.
5. Dra åt skruven till hållarplattan med 2 till 3 Nm.
6. Montera sågbandet. → Sidan 80.



## 8 Transport och förvaring av sladdlösa verktyg och batterier

### Transport

#### FÖRSIKTIGHET

#### Oavsiktlig start under transport. !

- ▶ Transportera alltid produkten utan insatta batterier.
- ▶ Ta ut batteriet/batterierna.
- ▶ Transportera aldrig batterierna löst liggande. Under transport ska batterierna skyddas mot alltför hårda stötter och vibrationer samt hållas isolerade från eventuella ledande material eller andra batterier så att de inte kommer i kontakt med andra batteripoler och orsakar en kortslutning. **Observera lokala transportföreskrifter för batterier.**
- ▶ Batterier får inte skickas per post. Vänd dig till ett fraktbolag om du vill skicka intakta batterier.
- ▶ Kontrollera produkt och batterier före varje användning samt före och efter längre transport för att se till att de inte är skadade.

### Förvaring

#### VARNING

#### Oavsiktlig skada på grund av trasiga eller läckande batterier. !

- ▶ Förvara alltid produkten utan insatta batterier.
- ▶ Förvara produkt och batterier svalt och torrt. Följ de temperaturgränsvärden som anges i den tekniska informationen.
- ▶ Förvara inte batterierna i batteriladdaren. Ta alltid ur batteriet ur laddaren när laddningen är klar.
- ▶ Förvara aldrig batterier i solen, på värmekällor eller bakom glas.
- ▶ Förvara produkt och batteri utom räckhåll för barn och obehöriga personer.
- ▶ Kontrollera produkt och batterier före varje användning samt före och efter längre tids förvaring för att se till att de inte är skadade.

## 9 Felsökning

Observera batteriets statusindikering vid alla störningar. Se kapitel **Indikeringar för litiumjonbatteri**.

Kontakta **Hilti-service** om det uppstår ett fel som inte finns med i den här tabellen eller som du inte lyckas åtgärda på egen hand.

Fel	Möjlig orsak	Lösning
Produkten har inte full effekt.	Strömbrytaren är inte helt intryckt.	▶ Tryck in strömbrytaren helt.
Produkten går inte att koppla in.	Tillkopplingsspärren har inte aktiverats.	▶ Tryck in tillkopplingsspärren.
Produkten startar inte.	Sågbandet låst	▶ Kontrollera att sågbandet är korrekt monterat och utan skador.
Batteriets lysdioder indikerar ingenting	Batteriet är defekt	▶ Vänd dig till <b>Hilti-service</b> .

## 10 Avfallshantering

#### VARNING

**Risk för personskada på grund av felaktig avfallshantering!** Hälsorisk på grund av läckande gaser eller syror.

- ▶ Skicka aldrig iväg skadade batterier!
- ▶ Täck anslutningarna med ett icke ledande material för att förhindra kortslutningar.
- ▶ Kassera batterier så att de inte kan hamna i händerna på barn.
- ▶ Kassera batteriet hos din **Hilti Store** eller vänd dig till närmaste återvinningscentral.

**Hilti**-produkter är till stor del tillverkade av återvinningsbara material. En förutsättning för återvinning är att materialen separeras på rätt sätt. I många länder tar **Hilti** tillbaka din gamla enhet för återvinning. Fråga **Hilti** kundservice eller din säljare.





- Kasta inte elverktøy, elektronisk apparatur och batterier i hushållssoporna.

## 11 Tillverkargaranti

- Vänd dig till din lokala **Hilti**-representant om du har frågor om garantivillkoren.

## 12 Ytterligere information

Ytterligere information om drift, teknik, miljø og återvinning hittar du via följande länk: [qr.hilti.com/manual/?id=2354065&id=2354067](http://qr.hilti.com/manual/?id=2354065&id=2354067)

Länken finns också som en QR-kod i slutet av dokumentationen.

# Original bruksanvisning

## 1 Informasjon om bruksanvisningen

### 1.1 Om denne bruksanvisningen

- Det er viktig at bruksanvisningen leses før produktet brukes for første gang. Dette er en forutsetning for sikkerhet under arbeidet og problemfritt bruk.
- Følg sikkerhetsanvisningene og advarslene i denne bruksanvisningen og på produktet.
- Oppbevar alltid bruksanvisningen sammen med produktet, og sørg for at bruksanvisningen alltid følger med hvis produktet overtas av andre personer.

### 1.2 Symbolforklaring

#### 1.2.1 Farehvisninger

Farehvisninger advarer mot farer under håndtering av produktet. Følgende signalord brukes:

#### FARE

**FARE !**

- For en umiddelbart truende fare som kan føre til alvorlige personskader eller død.

#### ADVARSEL

**ADVARSEL !**

- Varsler en mulig fare som kan føre til alvorlige personskader eller død.

#### FORSIKTIG

**FORSIKTIG !**

- Varsler om en mulig farlig situasjon som kan føre til personskade eller materiell skade.

#### 1.2.2 Symboler i bruksanvisningen

Følgende symboler benyttes i denne bruksanvisningen:

	Følg bruksanvisningen
	Bruksanvisninger og andre nyttige opplysninger
	Håndtering av resirkulerbare materialer
	Ikke kast elektriske apparater eller batterier i husholdningsavfallet
	<b>Hilti</b> li-Ion-batteri
	<b>Hilti</b> Lader



### 1.2.3 Symboler i illustrasjoner

Følgende symboler brukes i illustrasjonene:

	Disse tallene viser til illustrasjonen i begynnelsen av denne bruksanvisningen.
3	Nummereringen angir rekkefølgen for arbeidstrinnene på bildet og kan avvike fra arbeidstrinnene i teksten.
	Posisjonsnumrene brukes i illustrasjonen <b>Oversikt</b> og henviser til numrene på teksten i avsnittet <b>Produktoversikt</b> .
	Dette symbolet betyr at håndtering av produktet krever stor grad av oppmerksomhet.

## 1.3 Produktavhengige symboler

### 1.3.1 Symboler på produktet

Følgende symboler kan forekomme på produktet:

	Likestrøm
	Rotasjonsretningspil
	Produktet støtter NFC-teknologi som er kompatibel med iOS- og Android-plattformer.
Li-Ion	Li-ion-batteri
	Slå aldri med en gjenstand på batteriet og bruk aldri batteriet som slagverktøy.
	Ikke mist ned batteriet. Ikke bruk et batteri som har vært utsatt for støt eller er skadet på annen måte.

## 1.4 Produktinformasjon

-produkter er laget for profesjonell bruk og må kun brukes, vedlikeholdes og repareres av kyndig personale. Dette personalet må informeres om eventuelle farer som kan oppstå. Produktet og tilleggsutstyret kan utgjøre en fare hvis det betjenes av ukvalifisert personale eller det benyttes feil.

Typebetegnelse og serienummer står på typeskiltet.

- ▶ Skriv inn serienummeret i tabellen nedenfor. Du trenger produktspesifikasjonene ved henvendelser til Hiltis representant eller servicesenter.

#### Produktopplysninger

Batteridrevet båndsag	SB 6-22
Generasjon	01
Serienummer	

## 1.5 Samsvarserklæring

Produsenten erklærer under sitt eneansvar at produktet som er beskrevet her, oppfyller kravene i gjeldende lovgivning og er i samsvar med gjeldende standarder. Du finner et bilde av samsvarserklæringen på slutten av denne dokumentasjonen.

Den tekniske dokumentasjonen er lagret her:

Hilti Entwicklungsgesellschaft mbH | Zulassung Geräte | Hiltistraße 6 | 86916 Kaufering, DE

## 2 Sikkerhet

### 2.1 Generelle sikkerhetsregler for elektroverktøy

**ADVARSEL** Les alle sikkerhetsanvisninger, instruksjer, illustrasjoner og tekniske data som elektroverktøyet er utstyrt med. Manglende overholdelse av anvisningene nedenfor kan medføre elektrisk støt, brann og/eller alvorlige personskader.

**Overhold alle sikkerhetsanvisninger og instruksjoner i hele bruksperioden.**



Begrepet "elektroverktøy" som er brukt i sikkerhetsanvisningene, viser til nettdrevne elektroverktøy (med nettkabel) eller til batteridrevne elektroverktøy (uten nettkabel).

### Sikkerhet på arbeidsplassen

- ▶ **Hold arbeidsområdet rent og godt opplyst.** Rotete eller dårlig belyste arbeidsområder kan føre til ulykker.
- ▶ **Bruk ikke elektroverktøyet i eksplosjonsfarlige omgivelser hvor det befinner seg brennbare flytende stoffer, gasser eller støv.** Elektroverktøy lager gnister som kan antenne støv eller damp.
- ▶ **Hold barn og andre personer på sikker avstand mens elektroverktøyet brukes.** Hvis du blir forstyrret under arbeidet, kan du miste kontrollen over verktøyet.

### Elektrisk sikkerhet

- ▶ **Elektroverktøyets støpsel må passe i stikkkontakten. Støpselet må ikke forandres på noen som helst måte. Bruk ikke adapterkontakt på jordete elektroverktøy.** Uendrede støpsler og egnede stikkontakter minsker risikoen for elektrisk støt.
- ▶ **Unngå kroppskontakt med jordete overflater som rør, radiatorer, komfyrer eller kjøleskap.** Risikoen for elektriske støt er høyere når kroppen er jordet.
- ▶ **Hold elektroverktøyet unna regn og fuktighet.** Risikoen for elektrisk støt øker ved inntrenging av vann i et elektroverktøy.
- ▶ **Bruk ikke ledningen til å bære elektroverktøyet, henge det opp eller til å dra støpselet ut av stikkkontakten. Hold ledningen unna varme, olje, skarpe kanter og deler som beveger seg.** Skadde eller sammenviklede ledninger øker risikoen for elektriske støt.
- ▶ **Bruk kun skjøteleddninger som også er godkjent for utendørs bruk når du arbeider med et elektroverktøy utendørs.** Bruk av skjøteledding som er egnet til utendørs bruk, minsker risikoen for elektrisk støt.
- ▶ **Må elektroverktøyet brukes i fuktige omgivelser, er det nødvendig å bruke en jordfeilbryter.** Bruk av en jordfeilbryter reduserer risikoen for elektrisk støt.

### Personsikkerhet

- ▶ **Vær oppmerksom, pass på hva du gjør, og gå fornuftig fram under arbeidet med et elektroverktøy. Ikke bruk elektroverktøy når du er trøtt eller påvirket narkotika, alkohol eller medikamenter.** Et øyeblikks uoppmerksomhet ved bruk av elektroverktøyet kan være nok til å forårsake alvorlige personskader.
- ▶ **Bruk alltid personlig verneutstyr og vernebriller.** Bruk av personlig verneutstyr som støvmaske, sklisikre vernesko, hjelm eller hørselsvern – avhengig av type og bruk av elektroverktøyet – reduserer risikoen for skader.
- ▶ **Unngå utilsiktet start. Forsikre deg om at elektroverktøyet er slått av før du setter i stikkkontakten eller batteriet og før du løfter eller flytter elektroverktøyet.** Hvis du holder fingeren på bryteren når du bærer elektroverktøyet, eller kobler elektroverktøyet til strøm i innkoblet tilstand, kan dette føre til uhell.
- ▶ **Fjern justeringsverktøy og skrunøkkel før du slår på elektroverktøyet.** Et verktøy eller en nøkkel som befinner seg i en roterende maskindel, kan føre til skader.
- ▶ **Unngå uhensiktsmessige arbeidsposisjoner. Sørg for å stå stødig og i balanse.** Dermed kan du kontrollere elektroverktøyet bedre i uventede situasjoner.
- ▶ **Bruk egnede klær. Ikke bruk vide klær eller smykker. Hold hår, tøy og hansker unna deler som beveger seg.** Løstsittende tøy, smykker eller langt hår kan komme inn i deler som beveger seg.
- ▶ **Hvis det er montert støvavsugs- og oppsamlingsinnretninger, må det kontrolleres at disse er koblet til og blir brukt på riktig måte.** Bruk av støvavsug kan redusere faremomentene i forbindelse med støv.
- ▶ **Ikke føl deg for trygg og ikke bryt sikkerhetsreglene for elektroverktøy, heller ikke når du etter lang tids bruk er blitt fortrolig med elektroverktøyet.** Et øyeblikks uaktsomhet kan føre til alvorlige personskader.

### Bruk og behandling av elektroverktøyet

- ▶ **Ikke overbelast verktøyet. Bruk et elektroverktøy som er beregnet til den type arbeid du vil utføre.** Med et passende elektroverktøy arbeider du bedre og sikrere i det angitte effektområdet.
- ▶ **Ikke bruk elektroverktøy med defekt bryter.** Et elektroverktøy som ikke lenger kan slås av eller på, er farlig og må repareres.
- ▶ **Dra ut støpselet fra stikkkontakten og/eller ta ut et uttakbart batteri før du foretar maskinnstillinger, bytter tilleggsutstyr eller legger bort verktøyet.** Disse tiltakene forhindrer utilsiktet start av elektroverktøyet.
- ▶ **Oppbevar elektroverktøy som ikke brukes, utenfor barns rekkevidde. La ikke personer som ikke er fortrolige med verktøyet eller ikke har lest disse instruksjonene, bruke verktøyet.** Elektroverktøy er farlige når de brukes av uerfarne personer.



- ▶ **Sørg for grundig stell og vedlikehold av elektroverktøyet med tilbehør. Kontroller at bevegelige deler på elektroverktøyet fungerer feilfritt og ikke klemmes fast, og at ingen deler er brukt eller skadet, slik at dette innvirker på elektroverktøyet funksjon. La skadde deler repareres før elektroverktøyet brukes.** Mange ulykker er et resultat av dårlig vedlikeholdte elektroverktøy.
- ▶ **Hold skjæreverktøy skarpe og rene.** Godt vedlikeholdte skjæreverktøy med skarpe skjærekanter blir sjeldnere fastklemt og er lettere å styre.
- ▶ **Bruk elektroverktøy, tilbehør, arbeidsverktøy osv. i overensstemmelse med denne anvisningen.** Ta hensyn til arbeidsforholdene og arbeidet som skal utføres. Bruk av elektroverktøy til andre formål enn det som er angitt, kan føre til farlige situasjoner.
- ▶ **Hold håndtak og gripeflater tørre, rene og frie for olje og fett.** Glatte håndtak og gripeflater gir ikke sikker betjening og kontroll av elektroverktøyet i uforutsette situasjoner.

#### **Bruk og behandling av det batteridrevne elektroverktøyet**

- ▶ **Bruk kun ladere som er anbefalt av produsenten når du skal lade batteriene.** Det oppstår brannfare når det brukes andre batterier i en lader enn dem laderen er egnet for.
- ▶ **Bruk bare batterier som er beregnet for de forskjellige elektroverktøyene.** Bruk av andre batterier kan medføre skader og brannfare.
- ▶ **Unngå å oppbevare ubrukte batterier i nærheten av binders, mynter, nøkler, nagler, skruer eller andre små metallgjenstander som kan forårsake kortslutning av kontakten.** En kortslutning mellom batterikontaktene kan føre til forbrenninger eller brann.
- ▶ **Ved feil bruk kan væske lekke fra batteriet. Unngå kontakt med denne væsken. Ved tilfeldig kontakt må det skylles med vann. Hvis det kommer væske i øynene, må du i tillegg oppsøke lege.** Batterivæske som renner ut, kan føre til irritasjoner på huden eller forbrenninger.
- ▶ **Ikke bruk batterier som er skadde eller modifiserte.** Skadde eller modifiserte batterier kan oppføre seg uforutsigbart og forårsake brann, eksplosjon eller personskaade.
- ▶ **Ikke utsett batteriet for åpen ild eller høye temperaturer.** Ild eller temperaturer over 130 °C (265 °F) kan forårsake eksplosjon.
- ▶ **Følg alle anvisningene for lading, og lad aldri batteriet eller det batteridrevne verktøyet utenfor temperaturområdet som er angitt i bruksanvisningen.** Feil lading eller lading utenfor det tillatte temperaturområdet kan ødelegge batteriet og øke brannfaren.

#### **Service**

- ▶ **Elektroverktøyet må kun repareres av kvalifisert fagpersonale og kun med originale reservedeler.** Slik opprettholdes maskinens sikkerhet.
- ▶ **Vedlikehold ikke skadde batterier.** Alt vedlikehold på batterier skal utføres av produsenten eller et godkjent serviceverksted.

## **2.2 Sikkerhetsanvisninger for båndsagen**

- ▶ **Hold elektroverktøyet i de isolerte håndtakene når du utfører arbeid der verktøyet kan komme i kontakt med elektriske ledninger.** Kontakt med en spenningsførende ledning kan også sette maskinens metalldeleer under spenning og føre til elektrisk støt.

## **2.3 Ytterligere sikkerhetsanvisninger**

- ▶ Hold hendene unna sagområdet og sagbladet. Hold den andre hånden på håndtaket med sikkerhetsbryter. Når du holder sagen med begge hender, kan ikke hendene bli skadet under sagingen.
- ▶ Bruk produktet og tilbehøret bare i teknisk feilfri stand.
- ▶ Ikke foreta manipulering eller endring av produktet eller tilbehør.
- ▶ Ikke slå på produktet før du har plassert det i arbeidsposisjon.
- ▶ Unngå å berøre de roterende delene. Fare for personskaader!
- ▶ Vær forsiktig når du skal løfte opp og/eller bære produktet. Båndsagbladet er skarpt og kan forårsake kuttskaader eller materielle skader.
- ▶ Benytt øyevern, vernehjelm og hørselsvern ved bruk av produktet.
- ▶ Bruk vernehansker ved skifte av verktøy. Berøring av innsatsverktøyet kan føre til kuttskaader og forbrenninger.



- ▶ Støv som oppstår ved sliping, smergling, kapping og boring kan inneholde farlige kjemikalier. Noen eksempler er: bly eller blybasert maling; tegl, betong og andre murverksprodukter, naturstein og andre siilkatholdige produkter; bestemt tresorter, slik som eik, bøk og kjemisk behandlet trevirke; asbest eller asbestholdige materialer. Kartlegg hvor eksponert brukeren og personer i nærheten er ved hjelp av fareklassen til materialene som det arbeides med. Treff nødvendige tiltak for å holde eksponeringen på et trygt nivå, f.eks. ved å bruke et støvoppsamlingsystem eller egnet åndedrettsvern. Til de generelle tiltakene for å redusere eksponeringen hører:
  - ▶ arbeid i et godt ventilert område,
  - ▶ unngå langvarig kontakt med støv,
  - ▶ led bort støv fra ansikt og kropp,
  - ▶ bruk verneutstyr og vask eksponerte områder med vann og såpe.
- ▶ Båndsagen må bare brukes med riktig montert sagbladdeksel for å unngå personskader.
- ▶ Bruk alltid anslag eller en rett kantfører ved langsgående skjæring. Dette gir mer nøyaktige snitt og reduserer muligheten for at sagbladet kommer i klem.
- ▶ Hold aldri arbeidsstykket du sager fast med hånden eller med noen annen kroppsdell. Sikre arbeidsstykket med et stabilt feste. Det er viktig å feste arbeidsstykket skikkelig slik at faren for kroppskontakt, fastklemming av sagblad eller tap av kontroll blir minst mulig.
- ▶ Hold alltid produktet fast med begge hender, og hold armene i en stilling der du kan fange opp rekylkraften.
- ▶ Hold håndtakene tørre og rene og fri for olje og fett.
- ▶ Hold deg alltid på siden av sagbladet, og plasser aldri sagbladet på linje med kroppen. Ved rekyl kan sagen slenges bakover!
- ▶ Sørg for at du står støtt, især ved arbeid over hodehøyde. Du kan miste balansen ved et plutselig gjennombrudd.
- ▶ Ved gjennombruddsarbeider må begge sider av arbeidsstykket sikres. Deler som brytes ut, kan falle ned og forårsake personskader.
- ▶ Hvis sagbladet forklirer seg eller du avbryter arbeidet, må du slå av slagen og holde sagen i ro i arbeidsstykket til sagbladet har stanset helt. Prøv aldri å fjerne sagen fra arbeidsstykket eller trekke den bakover så lenge sagbladet er i bevegelse, ellers er det fare for rekyl.
- ▶ Når du skal starte en sag som sitter fast i arbeidsstykket, sentrerer du sagbladet i spalten og kontrollerer at sagtennene ikke har haket seg fast i arbeidsstykket.
- ▶ Vær ekstra forsiktig ved saging i eksisterende vegger eller i andre usynlige områder. Sagbladet som stikkes inn, kan blokkeres av skjulte objekter under saging, noe som kan forårsake rekyl.
- ▶ Ta hyppige pauser og gjør øvelser for å øke blodgjennomstrømningen i fingrene. Ved langvarig arbeid kan kraftige vibrasjoner føre til forstyrrelser i blodkar eller nervesystemet i fingre, hender eller håndledd.
- ▶ Ikke se rett inn i belysningen (LED) på produktet, og ikke lys inn i ansiktet til andre personer. Du kan bli blendet.
- ▶ Forsikre deg om at sagbladet er riktig montert, før du begynner å sage. Et feilmontert sagblad kan komme i klem og forårsake rekyl.
- ▶ Fare for personskade på grunn av verktøy og/eller tilbehør som faller ned. Kontroller før arbeidet påbegynnes at batteri og montert tilbehør er godt festet.

### Elektrisk sikkerhet

- ▶ Kontroller før arbeidet påbegynnes at det ikke finnes skjulte strømledninger, gass- eller vannrør i arbeidsområdet. Utvendige metalldele på produktet kan forårsake elektrisk støt eller en eksplosjon dersom du skader en strømlledning, et gass- eller vannrør.
- ▶ Hvis du skal kappe rør, for eksempel i forbindelse med rivnings- og installasjonsarbeider, må du kontrollere at det ikke finnes væske i rørene. Disse må i så fall tømmes. Hold produktet høyere enn røret ved kapping av rør. Produktet er ikke beskyttet mot inntrengning av fuktighet.

### Aktsom håndtering og bruk av elektroverktøy

- ▶ Bruk bare båndsagblad i angitt størrelse.
- ▶ Bruk aldri sløve eller skadde båndsagblad. Dette fører til økt friksjon og kan forårsake fastklemming eller rekyl av sagbladet.
- ▶ Følg produsentens anvisninger om håndtering og oppbevaring av båndsagblad.

## 2.4 Aktsom håndtering og bruk av batterier

- ▶ **Ta hensyn til følgende sikkerhetsanvisninger for sikker håndtering og bruk av li-ion-batterier.** Manglende overholdelse kan føre til hudirritasjoner, alvorlige korrosive skader, kjemiske forbrenninger, brann og/eller eksplosjoner.
- ▶ Bruk kun batterier i teknisk feilfri stand.



- ▶ Behandle batterier med omhu for å unngå skader og forhindre at svært helseskadelige væsker lekker ut!
- ▶ Batterier må under ingen omstendigheter modifiseres eller manipuleres!
- ▶ Batteriene må ikke tas fra hverandre, klemmes, varmes opp over 80 °C (176 °F) eller brennes.
- ▶ Ikke bruk eller lad opp batterier som har vært utsatt for et støt eller er skadd på annen måte. Kontroller batteriene regelmessig for å se etter tegn på skader.
- ▶ Bruk aldri resirkulerte eller reparerte batterier.
- ▶ Ikke bruk batteriet eller et batteridrevet elektroverktøy som slagverktøy.
- ▶ Utsett aldri batterier for direkte sollys, høy temperatur, gnistdannelse eller åpen flamme. Dette kan føre til eksplosjoner.
- ▶ Ikke berør batteripolene med fingrene, verktøy, smykker eller andre elektrisk ledende gjenstander. Dette kan skade batteriet samt forårsake materielle skader og personskader.
- ▶ Hold batteriene unna regn, fuktighet og væsker. Hvis fuktighet trenger inn, kan dette føre til kortslutning, elektrisk støt, forbrenninger, brann og eksplosjoner.
- ▶ Bruk kun ladere og elektroverktøy som er beregnet på denne batteritypen. Følg i den forbindelse opplysningene i de tilhørende bruksanvisningene.
- ▶ Ikke bruk eller oppbevar batteriet i eksplosjonsfarlige omgivelser.
- ▶ Hvis batteriet er for varmt til at du kan ta på det, kan det være defekt. Plasser batteriet på et synlig, ikke brennbart sted med tilstrekkelig avstand til brennbare materialer. La batteriet kjøle. Hvis batteriet fremdeles er for varmt til at du kan ta på det etter en time, er det defekt. Kontakt **Hilti** service eller les dokumentet "Informasjon om sikkerhet og bruk av **Hilti** li-ion-batterier".

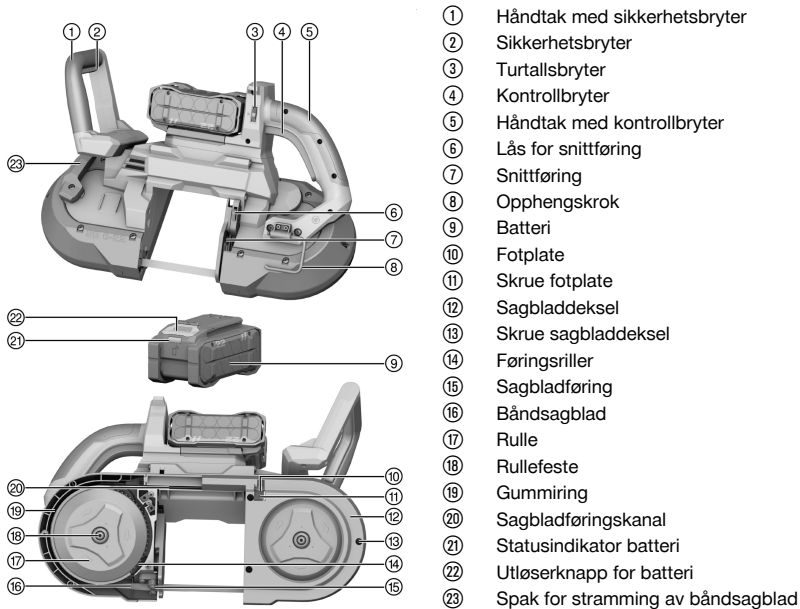


Ta hensyn til spesielle retningslinjer som gjelder for transport, lagring og bruk av litium-ion-batterier.  
→ Side 97

Les informasjonen om sikkerhet og bruk av **Hilti** li-ion-batterier, som du finner ved å skanne QR-koden bakerst i denne bruksanvisningen.

### 3 Beskrivelse

#### 3.1 Produktoversikt





### 3.2 Forskriftsmessig bruk

Det beskrevne produktet er en batteridrevet båndsag. Den er beregnet for kapping av metalliske materialer og plast.

Produktet er beregnet for bruk med to hender.

- Til dette produktet må det bare benyttes **Hilti** Nuron li-ion-batterier i serien B 22. For optimal ytelse anbefaler **Hilti** å benytte batteriene som er angitt i tabellen på slutten av denne bruksanvisningen til produktet.
- Til disse batteriene må det bare benyttes **Hilti**-ladere i seriene som er står oppført i tabellen bakerst i denne bruksanvisningen.

### 3.3 Følgende inngår i leveransen

Båndsag, bruksanvisning

I tillegg finner du godkjente systemprodukter til produktet hos nærmeste **Hilti Store** eller under: [www.hilti.group](http://www.hilti.group)

### 3.4 Indikatorer for li-ion-batteriet

**Hilti** Nuron Li-ion-batterier kan indikere ladetilstand, feilmeldinger og batteriets tilstand.

#### 3.4.1 Indikatorer for ladetilstand og feilmeldinger



#### ADVARSEL

**Fare for personskader på grunn av batteri som faller ned!**

- ▶ Når du har satt i batteriet og trykt på låseknappen, må du kontrollere at batteriet igjen klikker på plass i produktet som brukes.

For å få frem en av følgende indikatorer trykker du kort på batteriets utløserknapp.

Ladetilstanden samt eventuelle feil indikeres også hele tiden så lenge det tilkoblede produktet er slått på.

Tilstand	Betydning
Fire (4) lysdioder (LED) lyser konstant grønt	Ladetilstand: 100 % til 71 %
Tre (3) lysdioder (LED) lyser konstant grønt	Ladetilstand: 70 % til 51 %
To (2) lysdioder (LED) lyser konstant grønt	Ladetilstand: 50 % til 26 %
Én (1) lysdiode (LED) lyser konstant grønt	Ladetilstand: 25 % til 10 %
Én (1) lysdiode (LED) blinker langsomt grønt	Ladetilstand: < 10 %
Én (1) lysdiode (LED) blinker raskt grønt	Li-ion-batteriet er helt utladet. Lad batteriet. Hvis lysdioden fortsatt blinker raskt etter at batteriet er ladet, kontakter du <b>Hilti</b> service.
Én (1) lysdiode (LED) blinker raskt gult	Li-ion-batteriet eller det tilkoblede produktet er overbelastet, for varmt eller for kaldt eller det foreligger en annen feil. Bring produktet og batteriet til anbefalt arbeidstemperatur, og ikke overbelast produktet når du bruker det. Hvis meldingen vedvarer, kontakter du <b>Hilti</b> service.
Én (1) lysdiode (LED) lyser gult	Li-ion-batteriet og det tilkoblede produktet er ikke kompatible. Kontakt <b>Hilti</b> service.
Én (1) lysdiode (LED) blinker raskt rødt	Li-ion-batteriet er sperret og kan ikke brukes lenger. Kontakt <b>Hilti</b> service.

#### 3.4.2 Indikering av batteriets tilstand

For å sjekke tilstanden til batteriet holder du utløserknappen inne i over tre sekunder. Systemet registrerer ikke mulige funksjonsfeil på batteriet som følge av skjodesløs bruk, som f.eks. at det er mistet ned, er påført hull eller skader forårsaket av eksterne varmekilder osv.



Tilstand	Betydning
Alle LED-ene lyser som løpelys og deretter lyser én (1) LED konstant grønt.	Batteriet kan brukes videre.
Alle LED-ene lyser som løpelys og deretter blinker én (1) LED raskt gult.	Kartlegging av batteriets tilstand kunne ikke fullføres. Gjenta prosedyren eller kontakt <b>Hilti</b> service.
Alle LED-ene lyser som løpelys og deretter lyser én (1) LED konstant rødt.	Hvis et tilkoblet produkt fortsatt kan brukes, er den gjenværende batterikapasiteten under 50 %. Hvis et tilkoblet produkt ikke lenger kan brukes, er batteriets levetid over og batteriet må skiftes ut. Kontakt <b>Hilti</b> service.

#### 4 Tekniske data

Vekt i henhold til EPTA Procedure 01 uten batteri	6,5 kg
Merkespennning	21,6 V
Tomgangsturtall	150 m/min
Maks. snittdybde	127 mm
Mål produkt (Lengde x bredde x høyde)	525 mm x 175 mm x 375 mm
Mål båndsgagblad (Lengde x bredde x tykkelse)	1 140 mm x 12,4 mm x 0,5 mm
Omgivelsestemperatur under drift	-17 °C ... 60 °C
Lagringstemperatur	-20 °C ... 70 °C

##### 4.1 Batteri

Batteriets driftsspennning	21,6 V
Vekt batteri	Se bakerst i bruksanvisningen
Omgivelsestemperatur under drift	-17 °C ... 60 °C
Lagringstemperatur	-20 °C ... 40 °C
Batteritemperatur ved ladestart	-10 °C ... 45 °C

##### 4.2 Støyinformasjon og vibrasjonsverdier iht. EN 60745

Lydtrykk- og vibrasjonsverdiene som er angitt i denne bruksanvisningen, er målt i samsvar med en normert målemetode og kan brukes til sammenligning av elektroverktøy. De egner seg også til en foreløpig vurdering av eksponeringene. De angitte dataene representerer de viktigste bruksområdene for elektroverktøyet. Men hvis elektroverktøyet brukes til andre formål, med avvikende innsatsverktøy eller med utilstrekkelig vedlikehold, kan dataene avvike. Dette kan øke eksponeringene betraktelig gjennom hele arbeidsperioden. For å få en nøyaktig vurdering av eksponeringene må man også ta hensyn til tidsrommene da maskinen er slått av eller er i gang, men ikke i drift. Dette kan redusere eksponeringene betraktelig gjennom hele arbeidsperioden. Fastsett ekstra sikkerhetstiltak for å beskytte operatøren mot effekten av støy og/eller vibrasjoner, for eksempel: Vedlikehold av elektroverktøy og innsatsverktøy, holde hendene varme, organisering av arbeidsprosesser.

##### Støyinformasjon

Lydeffektnivå ( $L_{WA}$ )	86 dB(A)
Usikkerhet lydeffektnivå ( $K_{WA}$ )	3 dB(A)
Lydtrykknivå ( $L_{pA}$ )	75 dB(A)
Usikkerhet lydtrykknivå ( $K_{pA}$ )	3 dB(A)

##### Totale vibrasjonsverdier

Vibrasjonsutslippsverdi ved kutting av metall (ah,CM)	<b>B 22-55</b>	0,8 m/s <sup>2</sup>
	<b>B 22-255</b>	0,7 m/s <sup>2</sup>
Usikkerhet (K)		1,5 m/s <sup>2</sup>



## 5 Klargjøring til arbeidet

### ADVARSEL

#### Fare for personskader på grunn av utilsiktet start!

- ▶ Før batteriet settes i, må det kontrolleres at det tilhørende produktet er slått av.
- ▶ Fjern batteriet før du foretar maskininnstillinger eller skifter tilbehørsdeler.

Følg sikkerhetshenvisningene og advarslene i denne dokumentasjonen og på produktet.

### 5.1 Lade batteriet

1. Les bruksanvisningen for laderen før lading.
2. Kontaktene på batteriet og laderen må være rene og tørre.
3. Lad opp batteriet i en godkjent lader. → Side 91

### 5.2 Sette i batteri

#### ADVARSEL

#### Fare for personskader på grunn av kortslutning eller ved at batteriet faller ned!

- ▶ Forsikre deg om at det ikke er fremmedlegemer ved kontaktene på batteriet og kontaktene på produktet før du setter batteriet inn i maskinen.
- ▶ Kontroller at batteriet alltid går riktig i inngrep.

1. Lad batteriet helt opp før første gangs bruk.
2. Skyv batteriet inn i produktet til det klikker hørbart på plass.
3. Kontroller at batteriet sitter godt fast.

### 5.3 Ta ut batteri

1. Trykk på batteriets opplåsningsknapp.
2. Trekk batteriet ut av produktet.

### 5.4 Skifte båndsgagblad

#### ADVARSEL

**Fare for personskade på grunn båndsgagbladet.** Båndsgagbladet kan være varmt og/eller ha skarpe kanter og under visse omstendigheter knekke.

- ▶ Bruk vernehansker og øyevern under arbeidet og ved skifte av båndsgagblad.
- ▶ Båndsgagen må bare brukes med riktig montert sagbladdeksel.
- ▶ Legg aldri en nylig brukt båndsgag på brennbart underlag.

#### OBS

**Materielle skader som følge av feil båndsgagblad.** Feil sagblad kan føre til tidlig materialtretthet og skader på båndsgagen.

- ▶ Velg riktig sagblad til båndsgagen og materialet.
- ▶ Velg sagblad med riktig tanndeling (tenner per tomme) for materialet som skal sages: høyere tanndeling for harde/tynne materialer; lavere tanndeling for myke/tykke materialer.
- ▶ Bruk bare båndsgagblad som er 0,5 mm tykke. Tykkere sagblad gir høyere bøyebelastning og raskere slitasje på sagtennene.
- ▶ Velg et båndsgagblad der minst to tenner ligger an mot arbeidsstykket.
- ▶ Bruk kun båndsgagblad med målene 1140 mm × 12,5 mm × 0,5 mm.

1. Løs skruene på de to sagbladdekslene.
2. Ta av de to sagbladdekslene.
3. Drei strammespaken til anslag.
  - ▶ Båndsgagbladet slakkes.
4. Ta det gamle båndsgagbladet ut av føringen og kasser det.
5. Legg det nye båndsgagbladet inn i sagbladføringsen.
6. Før det nye båndsgagbladet rundt de to rullene.




- Legg det nye båndsagbladet i sagbladføringskanalen.
- Kontroller at båndsagbladet sitter som det skal.
- Drei strammespaken til anslag.
  - Båndsagbladet strammes.
- Sett på de to sagbladdekslene.
- Trekk til skruene på de to sagbladdekslene.

## 5.5 Fallsikring

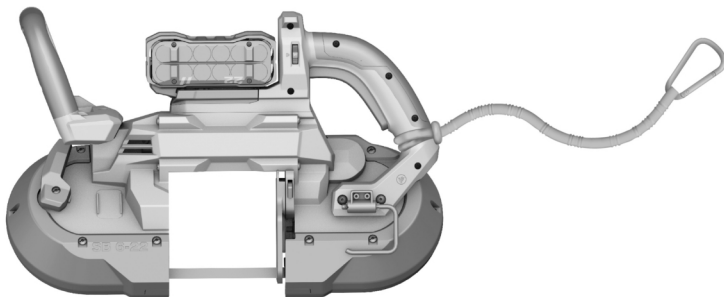
### ADVARSEL

**Fare for personskader** som følge av at verktøy og/eller tilbehør faller ned!


- Bruk bare verktøynoren som er anbefalt av **Hilti** til produktet.
- Kontroller festepunktet for verktøynoren for mulige skader før hver bruk.

 Følg nasjonale retningslinjer for arbeid i høyden.

Til fallsikring av dette produktet skal du bare bruke **Hilti** verktøynor #2261971.



- Fest verktøynoren til produktet med løkken slik som vist på bildet. Kontroller at den sitter forsvarlig fast.
- Fest karabinkroken til en bærende konstruksjon. Kontroller at karabinkroken sitter forsvarlig fast.

 Følg bruksanvisningen for **Hilti** verktøynor.

## 6 Betjening

Følg sikkerhetsanvisningene og advarslene i denne dokumentasjonen og på produktet.

### 6.1 Stille inn snittføring

- Trykk på og hold inne låsen for snittføring.
- Forskyv snittføringen til ønsket høyde.
- Slipp låsen for snittføringen.

### 6.2 Sage 3, 4

#### ADVARSEL

**Fare for personskader** som følge av rekyl fra båndsagen.

- Fest arbeidsstykket, f.eks. i en skrustikke, før du sager.
- Rett inn båndsagen og arbeidsstykket i forhold til hverandre.



**ADVARSEL**

**Fare for personskader** på grunn av sagens etterløp.

- ▶ Ikke løft produktet opp fra arbeidsstykket før det har stanset helt.
- ▶ Vent til produktet har stanset helt før du legger det fra deg.

**ADVARSEL**

**Fare for personskade på grunn båndsgagbladet.** Båndsgagbladet kan være varmt og/eller ha skarpe kanter og under visse omstendigheter knekke.

- ▶ Bruk vernehansker og øyevern under arbeidet og ved skifte av båndsgagblad.
- ▶ Båndsgagen må bare brukes med riktig montert sagbladdeksel.
- ▶ Legg aldri en nylig brukt båndsgag på brennbart underlag.

**OBS**

**Materielle skader som følge av feil båndsgagblad.** Feil sagblad kan føre til tidlig materialtretthet og skader på båndsgagen.

- ▶ Velg riktig sagblad til båndsgagen og materialet.
- ▶ Velg sagblad med riktig tanndeling (tenner per tomme) for materialet som skal sages: høyere tanndeling for harde/tynne materialer; lavere tanndeling for myke/tykke materialer.
- ▶ Bruk bare båndsgagblad som er 0,5 mm tykke. Tykkere sagblad gir høyere bøyebelastning og raskere slitasje på sagtennene.
- ▶ Velg et båndsgagblad der minst to tenner ligger an mot arbeidsstykket.
- ▶ Bruk kun båndsgagblad med målene 1140 mm × 12,5 mm × 0,5 mm.

Kontroller med jevne mellomrom om gummiringen er skadet.

Fjern støv og spon fra sagbladdekslene og snittføringen etter hver arbeidsoperasjon for å forlenge båndsgagens levetid.



For å starte båndsgagen må du: Først trykke på kontrollbryteren og deretter sikkerhetsbryteren og holde dem inne samtidig.



Båndsgagens egenvekt er tilstrekkelig til å utføre snittet. Ikke utøv ekstra trykk på båndsgagen.

1. Skift eventuelt gummiringen. → Side 96
2. Skift eventuelt båndsgagbladet. → Side 93
3. Trykk på og hold inne kontrollbryteren.
4. Trykk på og hold inne sikkerhetsbryteren.
5. Plasser båndsgagen slik på arbeidsstykket at flest mulig sagtenner ligger an mot arbeidsstykket.
6. Gjennomfør sagingen.



Før båndsgagen slik at det i den grad det er mulig alltid er tre sagtenner i snittet.

7. Slipp kontrollbryteren.

## 7 Pleie og vedlikehold

**ADVARSEL**

**Fare for personskader på grunn av isatt batteri !**

- ▶ Ta alltid ut batteriet før stell og vedlikeholdsarbeid!

### Pleie av produktet

- Fjern forsiktig gjenstridig smuss.
- Rengjør ventilasjonsåpningene, der slike finnes, forsiktig med en tørr og myk børste.
- Rengjør huset bare med en lett fuktet klut. Ikke bruk silikonholdige pleiemidler, ettersom dette kan angripe plastdelene.



- Bruk en ren og tørr klut for å rengjøre kontaktene på produktet.

#### Pleie av li-ion-batterier

- Bruk aldri et batteri med tilstoppede ventilasjonsåpninger. Rengjør ventilasjonsåpningene forsiktig med en tørr og myk børste.
- Unngå at batteriet unødig utsettes for støv eller smuss. Ikke utsett batteriet for høy fuktighet (f.eks. ved å dyppe det i vann eller la det stå ute i regnet).  
Hvis et batteri blir gjennomvått, må det behandles som et skadet batteri. Isoler det i en ikke-brennbar beholder, og kontakt **Hilti service**.
- Hold batteriet fritt for fremmed olje og fett. Ikke la unødig støv eller smuss samle seg på batteriet. Rengjør batteriet med en tørr og myk børste eller en ren og tørr klut. Ikke bruk silikonholdige pleiemidler, ettersom dette kan angripe plastdelene.  
Ikke berør kontaktene på batteriet, og ikke fjern fett som er smurt på kontaktene fra fabrikken.
- Rengjør huset bare med en lett fuktet klut. Ikke bruk silikonholdige pleiemidler, ettersom dette kan angripe plastdelene.

#### Vedlikehold

- Kontroller alle synlige deler regelmessig mht. skade og alle betjeningslementer mht. feilfri funksjon.
- Ved skader og/eller funksjonsfeil må produktet ikke brukes. Få produktet omgående reparert av **Hilti service**.
- Monter alle beskyttelsesinnretninger etter pleie- og vedlikeholdsarbeid, og kontroller at de fungerer feilfritt.



Av hensyn til sikkerheten må du bare bruke originale reservedeler og forbruksmateriell. Reservedeler, forbruksmateriell og tilbehør som er godkjent av **Hilti**, finner du i nærmeste **Hilti Store** eller på: [www.hilti.group](http://www.hilti.group)

### 7.1 Skifte sagbladdeksel



Skift sagbladdeksel med det samme du oppdager skader.

1. Løs skruene på sagbladdekselet.
2. Fjern og kasser det skadde sagbladdekselet.
3. Sett det nye sagbladdekselet på båndsgen.
4. Trekk til skruene på sagbladdekselet med 2 til 3 Nm.

### 7.2 Skifte gummiring



Skift gummiringen med det samme du oppdager skader.

1. Demonter båndsgagbladet → Side 93.
2. Ta ut gummiringen.
3. Kontroller om det er urenheter i føringsrillene og rengjør dem eventuelt.
4. Spenn fast den nye gummiringen på rullen til båndsgagbladet.
5. Rett inn gummiringen til den slutter helt inntil føringsrillene.
6. Monter båndsgagbladet igjen. → Side 93.

### 7.3 Skifte sagbladføring



Skift sagbladføringen med det samme du oppdager skader, f.eks. hvis sagbladet har etterlatt et innfrest spor.

1. Demonter båndsgagbladet → Side 93.
2. Løs de to skruene på sagbladføringen.
3. Ta den skadde sagbladføringen ut av båndsgen og kasser sagbladføringen.
4. Sett den nye sagbladføringen inn i båndsgen.
5. Trekk til de to skruene på sagbladføringen med 2 til 3 Nm.



6. Monter båndsgagbladet igjen. → Side 93.

## 7.4 Skifte fotplate



Skift fotplaten med det samme sagbladet gnisser eller henger.

1. Demonter båndsgagbladet → Side 93.
2. Løs skruen på fotplaten.
3. Ta den skadde fotplaten ut av båndsgagen og kasser fotplaten.
4. Sett den nye fotplaten inn i båndsgagen.
5. Trekk til skruen på fotplaten med 2 til 3 Nm.
6. Monter båndsgagbladet igjen. → Side 93.

## 8 Transport og lagring av batteriverktøy og batterier

### Transport



**Utsiktet start under transport !**

- ▶ Transporter alltid produktene dine uten batterier!
- ▶ Ta ut batteri(er).
- ▶ Batterier må aldri transporteres løst. Under transport må batteriene beskyttes mot kraftige støt og vibrasjoner og isoleres fra ledende materialer og andre batterier, slik at de ikke kan komme i berøring med andre batteripoler og dermed forårsake kortslutning. **Følg lokale transportforskrifter for batterier.**
- ▶ Batterier må ikke sendes i posten. Kontakt et transportfirma hvis du vil sende uskadde batterier.
- ▶ Kontroller produkt og batterier med henblikk på skader før hver bruk samt før og etter lengre transport.

### Lagring



**Utsiktet skade på grunn av defekte batterier eller lekkasje fra batterier !**

- ▶ Oppbevar alltid produktene dine uten batterier!
- ▶ Oppbevar produkt og batterier kjølig og tørt. Ta hensyn til temperaturrensene som er angitt under tekniske data.
- ▶ Ikke oppbevar batterier på laderen. Ta alltid batteriet ut av laderen etter ferdig lading.
- ▶ Batterier må aldri oppbevares i solen, på varmekilder eller bak glass.
- ▶ Oppbevar produktet og batterier utenfor barns og uvedkommendes rekkevidde.
- ▶ Kontroller produkt og batterier med henblikk på skader før hver bruk samt før og etter lengre tids lagring.

## 9 Feilsøking

Ta hensyn til batteriets statusindikator ved alle feil. Se kapittelet **Indikator for li-ion-batteriet**.

Ved feil som ikke står i denne tabellen eller som du selv ikke kan utbedre, må du kontakte **Hilti service**.

Feil	Mulig årsak	Løsning
Produktet yter ikke maksimalt.	Kontrollbryteren er ikke trykket helt inn.	▶ Trykk kontrollbryteren helt inn.
Produktet kan ikke slås på.	Innkoblingssperren ikke aktivert.	▶ Aktiver innkoblingssperren.
Produktet starter ikke.	Båndsgagblad blokkert	▶ Kontroller om båndsgagbladet er riktig montert og/eller skadet.
LED-ene på batteriet indikerer ingenting	Defekt batteri	▶ Kontakt <b>Hilti service</b> .




## 10 Kassering

### ADVARSEL

**Fare for personskade ved ikke-forskriftsmessig kassering!** Gasser eller væsker som lekker ut, utgjør en helsefare.

- ▶ Ikke send skadde batterier i posten eller på annen måte!
- ▶ Dekk til kontaktene med et ikke-ledende materiale for å unngå kortslutning.
- ▶ Kasser batterier slik at de er utilgjengelige for barn.
- ▶ Lever inn batteriet i nærmeste **Hilti Store**, eller kontakt et lokalt renovasjonsfirma.

 **Hilti** produkter er i stor grad laget av gjenvinnbare materialer. Riktig materialsortering er en forutsetning for gjenvinning. I mange land tar **Hilti** imot ditt gamle apparat for gjenvinning. Spør **Hilti** kundeservice eller forhandleren.



- ▶ Kast aldri elektroverktøy, elektronisk utstyr eller batterier i husholdningsavfallet!

## 11 Produsentgaranti

- ▶ Når det gjelder spørsmål om garantibetingelser, ber vi deg kontakte din lokale **Hilti**-partner.

## 12 Ytterligere informasjon

Du finner mer informasjon om betjening, teknologi, miljø og resirkulering under følgende lenke: [qr.hilti.com/manual/?id=2354065&id=2354067](http://qr.hilti.com/manual/?id=2354065&id=2354067)

Denne lenken finner du også som QR-kode bakerst i dokumentasjonen.

## Alkuperäiset ohjeet

### 1 Tämän käyttöohjeen tiedot

#### 1.1 Tästä käyttöohjeesta

- Lue ehdottomasti tämä käyttöohje ennen tuotteen käyttämistä. Se on turvallisen työnteon ja tuotteen ongelmattoman käsittelyn perusedellytys.
- Noudata tässä käyttöohjeessa annettuja ja tuotteessa olevia turvallisuus- ja varoitushuomautuksia.
- Säilytä käyttöohje aina tuotteen yhteydessä, ja anna tuote toiselle henkilölle aina käyttöohjeen kanssa.

#### 1.2 Merkkien selitykset

##### 1.2.1 Varoitushuomautukset

Varoitushuomautukset varoittavat tuotteen käyttöön liittyvistä vaaroista. Seuraavia varoitustekstejä käytetään:

### VAKAVA VAARA

#### **VAKAVA VAARA !**

- ▶ Varoittaa uhkaavasta vaaratilanteesta, josta voi seurauksena olla vakava loukkaantuminen tai jopa kuolema.

### VAARA

#### **VAARA !**

- ▶ Varoittaa mahdollisesta vaarasta, josta voi seurauksena olla vakava loukkaantuminen tai kuolema.

### VAROITUS

#### **HUOMIO !**

- ▶ Varoittaa mahdollisesta vaaratilanteesta, josta voi seurata loukkaantuminen tai aineellinen vahinko.





### 1.2.2 Symbolit käyttöohjeessa

Tässä käyttöohjeessa käytetään seuraavia symboleita:

	Noudata käyttöohjetta
	Toimintaohjeita ja muuta hyödyllistä tietoa
	Kierrätyskelpoisten materiaalien käsittely
	Älä hävitä sähkölaitteita ja akkuja tavallisen sekajätteen mukana
	<b>Hilti</b> Litiumioniakku
	<b>Hilti</b> Laturi

### 1.2.3 Symbolit kuvissa

Kuvissa käytetään seuraavia symboleita:

	Nämä numerot viittaavat vastaavaan kuvaan tämän käyttöohjeen alussa.
	Numerointi kertoo työvaiheiden järjestyksen kuvissa ja saattaa poiketa numeroinnista tekstissä.
	Kohtanumeroita käytetään kuvassa <b>Yleiskuva</b> , ja ne viittaavat kuvatekstien numerointiin kappaleessa <b>Tuoteyhteenvedo</b> .
	Tämän merkin tarkoitus on kiinnittää erityinen huomiosi tuotteen käyttöön ja käsittelyyn.

## 1.3 Tuotekohtaiset symbolit

### 1.3.1 Symbolit tuotteessa

Tuotteessa voidaan käyttää seuraavia symboleita:

	Tasavirta
	Pyörimissuuntanuoli
	Tämä tuote tukee iOS- ja Android-alustojen kanssa yhteensopivaa NFC-tekniologiaa.
	Litiumioniakku
	Älä koskaan lyö millään esineellä akkuun. Älä myöskään käytä akkua lyöntityökaluna.
	Älä päästä akkua putoamaan. Älä käytä akkua, johon on kohdistunut isku tai joka on muutoin vaurioitunut.

## 1.4 Tuotetiedot

**HILTI** -tuotteet on tarkoitettu ammattikäyttöön, ja niitä saa käyttää, huoltaa tai korjata vain valtuutettu, koulutettu henkilö. Käyttäjän pitää olla hyvin perillä käyttöön liittyvistä vaaroista. Tuote ja sen varusteet saattavat aiheuttaa vaaratilanteita, jos kokemattomat henkilöt käyttävät tuotetta ohjeiden vastaisesti tai muutoin asiattomasti.

Tyypimerkinnän ja sarjanumeron löydät tyyppikilvestä.

- Kirjoita sarjanumero oheiseen taulukkoon. Tuotteen tiedot tarvitaan, jos esität kysymyksiä myynti- tai huoltoedustajallemme.

#### Tuotetiedot

Akkuvannesaha	SB 6-22
Sukupolvi	01
Sarjanumero	



## 1.5 Vaatimustenmukaisuusvakuutus

Valmistaja vakuuttaa, että tässä kuvattu tuote täyttää sitä koskevien voimassa olevien lakien ja standardien vaatimukset. Kuva vaatimustenmukaisuusvakuutuksesta on tämän dokumentaation lopussa.

Tekninen dokumentaatio löytyy tästä:

Hilti Entwicklungsgesellschaft mbH | Zulassung Geräte | Hiltistraße 6 | 86916 Kaufering, DE

## 2 Turvallisuus

### 2.1 Sähkötyökaluja koskevat yleiset turvallisuusohjeet

**⚠ VAKAVA VAARA** Lue kaikki turvallisuus- ja käyttöohjeet, selostukset ja tekniset tiedot, jotka liittyvät tähän sähkötyökaluun. Seuraavien ohjeiden noudattamatta jättäminen saattaa johtaa sähköiskuun, tulipaloon ja/tai vakavaan loukkaantumiseen.

**Sääilytä kaikki turvallisuus- ja käyttöohjeet huolellisesti vastaisen varalle.**

Turvallisuusohjeissa käytetty käsite ”sähkötyökalu” tarkoittaa verkkokäyttöisiä sähkötyökaluja (joissa verkkojohto) ja akkukäyttöisiä sähkötyökaluja (joissa ei verkkojohtoa).

#### Työpaikan turvallisuus

- ▶ **Pidä työskentelyalue siistinä ja hyvin valaistuna.** Työpaikan epäjärjestys ja valaisemattomat työalueet voivat johtaa tapaturmiin.
- ▶ **Älä käytä sähkötyökalua räjähdyssaltiliissa ympäristössä, jossa on syttyvää nestettä, kaasua tai pölyä.** Sähkötyökalut synnyttävät kipinöitä, jotka saattavat sytyttää pölyn tai höyryä.
- ▶ **Pidä lapset ja sivulliset loitolla sähkötyökalua käyttäessäsi.** Voit menettää koneen hallinnan huomiosi suuntautuessa muualle.

#### Sähköturvallisuus

- ▶ **Sähkötyökalun pistokkeen pitää sopia pistorasiaan. Pistoketta ei saa muuttaa millään tavalla. Älä käytä pistorasia-adaptoreita suojamaadotettujen sähkötyökalujen yhteydessä.** Alkuperäisessä kunnossa olevat pistokkeet ja sopivat pistorasiat vähentävät sähköiskun vaaraa.
- ▶ **Vältä koskettamasta sähköä johtaviin pintoihin kuten putkiin, pattereihin, liesiin ja jääkaappeihin.** Sähköiskun vaara kasvaa, jos kehosi maadottuu.
- ▶ **Älä aseta sähkötyökalua alttiiksi sateelle tai kosteudelle.** Veden tunkeutuminen sähkötyökalun sisään lisää sähköiskun vaaraa.
- ▶ **Älä kanna tai ripusta sähkötyökalua verkkojohdostaan äläkä vedä pistoketta irti pistorasiasta johdosta vetämällä. Pidä johto loitolla kuumuudesta, öljystä, terävistä reunoista ja liikkuvista osista.** Vahingoittuneet tai toisiinsa kietoutuneet johdot lisäävät sähköiskun vaaraa.
- ▶ **Kun käytät sähkötyökalua ulkona, käytä ainoastaan ulkokäyttöön soveltuvia jatkojohtoja.** Ulkokäyttöön soveltuvan jatkojohdon käyttö pienentää sähköiskun vaaraa.
- ▶ **Jos sähkötyökalua on välttämätöntä käyttää kosteassa ympäristössä, käytä vikavirtasuojakytintä.** Vikavirtasuojakytimen käyttö pienentää sähköiskun vaaraa.

#### Henkilöturvallisuus

- ▶ **Ole valpas, kiinnitä huomiota työskentelyysi ja noudata tervettä järkeä sähkötyökalua käyttäessäsi. Älä käytä sähkötyökalua, jos olet väsynyt tai huumeiden, alkoholin tai lääkkeiden vaikutuksen alaisena.** Sähkötyökalua käytettäessä hetkellinenkin varomattomuus saattaa aiheuttaa vakavia vammoja.
- ▶ **Käytä henkilökohtaisia suojavarusteita ja aina suojalaseja.** Henkilökohtaiset suojavarusteet, kuten hengityssuojain, luistamattomat turvajalkineet, kypärä ja kuulosuojaimet, pienentävät oikein käytettyinä loukkaantumisriskiä sähkötyökalun käyttötilanteesta riippuen.
- ▶ **Varo tahatonta käynnistämistä. Varmista, että sähkötyökalu on kytketty pois päältä, ennen kuin liität sen verkkovirtaan ja/tai liität siihen akun, otat sen käteesi tai kannat sitä.** Jos kannat sähkötyökalua sormi käyttökytkimellä tai liität pistokkeen pistorasiaan käyttökytkimen ollessa käyntiasennossa, altistat itsesi onnettomuuksille.
- ▶ **Poista kaikki säätötyökalut ja ruuvitalat, ennen kuin käynnistät sähkötyökalun.** Työkalu tai avain, joka sijaitsee koneen pyörivässä osassa, saattaa johtaa loukkaantumiseen.
- ▶ **Vältä vaikeita työskentelyasentoja. Varmista aina tukeva seisoma-asento ja tasapaino.** Siten voit paremmin hallita sähkötyökalua odottamattomissa tilanteissa.
- ▶ **Käytä työohsi soveltuvia vaatteita. Älä käytä löysiä työvaatteita tai koruja. Pidä hiukset, vaatteet ja käsineet loitolla liikkuvista osista.** Väljät vaatteet, korut ja pitkät hiukset voivat takertua liikkuviin osiin.
- ▶ **Jos pölynpoisto- ja keräilylaitteita voidaan asentaa, sinun on tarkastettava, että ne on liitetty oikein ja että niitä käytetään oikealla tavalla.** Pölynpoistovarustuksen käyttö vähentää pölyn aiheuttamia vaaroja.



- ▶ **Älä tuudittaudu virheelliseen turvallisuuden tunteeseen äläkä laiminlyö sähkötyökaluja koskevia turvallisuusohjeita silloinkaan, kun mielestäsi jo olet kokenut sähkötyökalun käyttäjä.** Harkitsema-  
ton ja huolimaton toiminta voi sekunnin murto-osissa johtaa vakaviin loukkaantumisiin.

### Sähkötyökalun käyttö ja käsittely

- ▶ **Älä ylikuormita konetta.** Käytä kyseiseen työhön tarkoitettua sähkötyökalua. Sopivaa sähkötyökalua käyttäen työskentelet paremmin ja varmemmin tehoalueella, jolle sähkötyökalu on tarkoitettu.
- ▶ **Älä käytä sähkötyökalua, jonka käyttökäytin ei toimi.** Sähkötyökalu, jota ei enää voida käynnistää ja pysäyttää käyttökäytimellä, on vaarallinen ja se täytyy korjata.
- ▶ **Irrota pistoke pistorasiasta ja/tai irrota akku ennen kuin muut säätöjä, vaihdat terää tai lisäva-  
rusteita ja kun lopetat koneen käyttämisen.** Tämä turvatoimenpide estää sähkötyökalun tahattoman käynnistysriskin.
- ▶ **Säilytä sähkötyökalut poissa lasten ulottuvilta, kun niitä ei käytetä. Älä anna toisten henkilöiden  
käyttää konetta, elleivät he ole perehtyneet sen käyttöön ja lukeneet käyttöohjeita.** Sähkötyökalut ovat vaarallisia, jos niitä käyttävät kokemattomat henkilöt.
- ▶ **Hoida sähkötyökaluja ja niiden varusteita huolella.** Tarkasta, että liikkuvat osat toimivat moit-  
teettomasti eivätkä ole puristuksissa, ja tarkasta myös, ettei sähkötyökalussa ole murtuneita tai  
vaurioituneita osia, jotka saattaisivat haitata sen toimintaa. Korjauta vaurioituneet osat ennen  
koneen käyttämistä. Usein loukkaantumisten ja tapaturmien syynä on sähkötyökalujen laiminlyöty  
huolto.
- ▶ **Pidä terät terävinä ja puhtaina.** Huolella hoidetut terät, joiden leikkausreunat ovat teräviä, eivät jumitu  
herkästi, ja niillä työntekeo on kevyempää.
- ▶ **Käytä sähkötyökalua, lisävarusteita ja tarvikkeita, teriä jne. niiden käyttöohjeiden mukaisesti. Ota  
tällöin työolosuhteet ja suoritettava työtehtävä huomioon.** Sähkötyökalun käyttö muuhun kuin sille  
tarkoitettuun käyttöön saattaa johtaa vaarallisiin tilanteisiin.
- ▶ **Pidä käsikahvat ja tartuntapinnat kuivina, puhtaina, öljyttöminä ja rasvattomina.** Jos käsikahvat tai  
tartuntapinnat ovat liukkaat, sähkötyökalun turvallinen käyttö ja hallinta voi yllättävissä tilanteissa olla  
mahdotonta.

### Akkukäyttöisen sähkötyökalun käyttö ja käsittely

- ▶ **Lataa akku vain valmistajan suositamalla laturilla.** Jos laturi on tarkoitettu vain tietyn akkumallin  
lataamiseen, palovaara on olemassa, jos laturia käytetään muiden akkujen lataamiseen.
- ▶ **Käytä ainoastaan juuri kyseiseen sähkötyökaluun tarkoitettua akkua.** Jonkun muun akun käyttö  
saattaa johtaa loukkaantumiseen ja tulipaloon.
- ▶ **Pidä irrallinen akku loitolla metalliesineistä, kuten paperinliittimistä, kolikoista, avaimista, nau-  
lloista, ruuveista tai muista pienistä metalliesineistä, jotka voivat oikosulkea akun liittimet.** Akun  
liittimien välinen oikosulku saattaa aiheuttaa palovammoja tai johtaa tulipaloon.
- ▶ **Väärästä käytöstä johtuen saattaa vuotoa nestettä, jota ei saa koskettaa. Vältä kosketusta  
sen kanssa. Tarvittaessa huuhtelee kosketuskohta vedellä. Jos nestettä pääsee silmiin, tarvitaan  
lisäksi lääkärin apua.** Akusta vuotava neste saattaa aiheuttaa ärsytystä ja palovammoja.
- ▶ **Älä käytä akkua, joka on vaurioitunut tai johon on tehty muutoksia.** Vaurioitunut akku tai akku, jota  
on muutettu, saattaa käyttäytyä yllättävästi ja aiheuttaa tulipalon, räjähdyksen ja vammoja.
- ▶ **Varjele akkua avotulelta ja korkeilta lämpötiloilta.** Avotuli tai yli 130 °C:n (265 °F) lämpötila voi  
aiheuttaa räjähdyksen.
- ▶ **Noudata kaikkia akun lataamisesta annettuja ohjeita, ja lataa akku tai akun sisältävä sähkötyökalu  
aina käyttöohjeessa mainittuja lämpötilarajoja noudattaen.** Akun virheellinen lataaminen tai lataami-  
nen sallitun lämpötila-alueen lämpötiloita noudattamatta saattaa johtaa akun tuhoutumiseen ja aiheuttaa  
tulipalovaaran.

### Huolto

- ▶ **Anna koulutettujen ammattihenkilöiden korjata sähkötyökalusi ja hyväksy korjauksiin vain alkupe-  
räisiä varaosia.** Siten varmistat koneen turvallisuuden säilymisen.
- ▶ **Älä koskaan yritä huoltaa vaurioitunutta akkua.** Akkujen kaikki huoltotyöt saa suorittaa vain valmistaja  
tai sen valtuuttama huoltopiste.

## 2.2 Vannesahoja koskevat turvallisuusohjeet

- ▶ **Pidä sähkötyökalusta kiinni vain sen eristetyistä kahvapinnoista, jos teet työtä, jossa sähkötyökalun  
terä saattaa osua rakenteen sisällä olevaan virtajohtoon.** Jos terä osuu virtajohtoon, koneen  
metalliosiin saattaa johtua virta, jolloin voit saada sähköiskun.



## 2.3 Muut turvallisuusohjeet

- ▶ Älä vie käsiäsi sahausalueelle tai lähelle sahanterää. Pidä toisella kädelläsi kiinni käsikahvasta, jossa on turvakytin. Kun pidät sahasta kiinni molemmin käsin, et voi satuttaa käsiäsi terään.
- ▶ Käytä vain tuotetta ja lisävarusteita, jotka ovat teknisesti moitteettomassa kunnossa.
- ▶ Älä koskaan tee tuotteeseen tai lisävarusteisiin minkäänlaisia muutoksia.
- ▶ Kytke tuote päälle vasta, kun olet asettanut sen työn aloittamiskohtaan.
- ▶ Varo, ettet koske pyöriviin osiin - loukkaantumisaar!
- ▶ Ole varovainen, kun nostat ja/tai kannat tuotetta; sahanterä on terävä ja voi aiheuttaa haavoja tai aineellisia vahinkoja.
- ▶ Tuotetta käyttäessäsi käytä suojarakenteita, suojakypäriä ja kuulosuojaimia.
- ▶ Käytä suojaesineitä, kun vaihdat työkaluterää. Työkaluterän koskettaminen saattaa aiheuttaa haavoja ja palovammoja.
- ▶ Hiottaessa, kiillottaessa, leikattaessa ja porattaessa syntyvä pöly saattaa sisältää vaarallisia kemikaaleja. Niistä esimerkkejä ovat: lijy tai lijyypitoiset maalit; tiili, betoni ja muut muuraustuotteet, luonnonkivi ja muut silikaatteja sisältävät tuotteet; tietyt puulajit kuten tammi, pyökki ja kemiallisesti käsitellyt puut; asbesti tai asbestia sisältävät materiaalit. Määritä työstettävien materiaalien vaaraluokituksen perusteella käyttäjän ja lähellä olevien henkilöiden altistumisvaara. Ryhdy tarvittaviin toimenpiteisiin altistumisen pitämiseksi turvallisella tasolla, esimerkiksi käytettävä pölynkeräysjärjestelmä tai soveltuva hengityssuojainta. Altistumisen määrää pienentäviä yleisluonteisia toimenpiteitä ovat:
  - ▶ työn tekeminen hyvin tuulettuvassa tilassa,
  - ▶ pitkään kestävästä pölyaltistuksesta välttäminen,
  - ▶ pölyn ohjaaminen pois kasvoilta ja keholta,
  - ▶ suojavaatetuksen käyttö ja kehon altistuneiden kohtien pesu vedellä ja saippualla.
- ▶ Loukkaantumisten välttämiseksi käytä vannesahaa aina sahanterän suojuksen oikein kiinnitettynä.
- ▶ Käytä rajoitinta tai suoraa reunajohtainta aina kun teet pitkittäistä sahausta. Siten saat aikaan tarkempaa jälkeä ja estät sahanterää tarttumasta kiinni.
- ▶ Älä koskaan pidä sahattavaa työkappaleita paikallaan käsin tai kehoasi muulla osalla. Sahaa työkappaleella aina tukevalla alustalla. Työkappaleen kunnollinen kiinnittäminen on tärkeää, jotta estät työkappaleen tai sahaa koskettamasta kehoasi tai sahanterää tarttumasta kiinni ja jotta varmistat koneen hallinnan säilyttämisen.
- ▶ Pidä tuotteesta aina kunnolla kiinni molemmin käsin käsikahvoista, ja pidä kätesi asennossa, jossa pystyt hyvin vastustamaan mahdollisia takaiskuvoimia.
- ▶ Pidä käsikahvat kuivina, puhtaina sekä öljyttöminä ja rasvattomina.
- ▶ Pysytkä aina sahanterän sivulla, älä koskaan asetu samaan linjaan sahanterän kanssa. Takaisku voi saada sahan ponnahtamaan taaksepäin!
- ▶ Varmista tukeva seisoma-asentosi, etenkin jos teet työtä ylöspäin. Kohteen äkillinen läpimurtuminen voi suistaa sinut tasapainosta.
- ▶ Kun teet reikiä, varmista työkappale/työkohta molemmilta puolilta. Irti leikattavat kappaleet voivat pudota ja aiheuttaa vammoja.
- ▶ Jos sahanterä tarttuu kiinni tai keskeytät työntösi, kytke saha pois päältä ja odota rauhallisesti, kunnes sahanterä on kokonaan pysähtynyt. Älä koskaan yritä nostaa sahaa irti työkappaleesta tai vetää sahaa taaksepäin sahanterän vielä pyöriessä, sillä muutoin takaisku saattaa yllättää.
- ▶ Kun haluat käynnistää uudelleen sahan, jonka terä on työkappaleessa, keskitä ensin sahanterä sahausrakoon ja tarkasta, ettei sahanterän yksikään hammas ole kiinni työkappaleessa.
- ▶ Ole erityisen varovainen upottaessasi terää seinään tai muuhun kohteeseen, jonka rakennetta ei näe tarkasti. Materiaalin upotettava sahanterä saattaa tarttua kiinni materiaalin sisällä oleviin kappaleisiin tai esineisiin, minkä seurauksena kone iskee takaisin.
- ▶ Pidä työssäsi usein taukoja, joiden aikana tee sormien verenkiertoa parantavia sormivoimisteluliikeitä. Pitempään jatkuva työnteko saattaa tärinän vuoksi aiheuttaa verenkiertohäiriöitä tai sormien, käsien ja ranteiden hermokipuja.
- ▶ Älä katso suoraan tuotteen valoon (LED) äläkä suuntaa valoa muiden henkilöiden kasvoihin. Sokaistumisvaara on olemassa.
- ▶ Ennen sahausaloittamista varmista, että sahanterä on oikein kiinnitetty. Väärin kiinnitetty sahanterä saattaa tarttua kiinni ja aiheuttaa takaiskun.
- ▶ Putoamaan pääsevät työkalut ja/tai lisävarusteet aiheuttavat loukkaantumisaar. Ennen työn aloittamista tarkasta, että akku ja asennettu lisävaruste ovat kunnolla kiinni.



## Sähköturvallisuus

- ▶ Tarkasta ennen työn aloittamista, onko työskentelyalueella rakenteiden sisälle asennettuja sähköjohtoja tai kaasu- ja vesiputkia. Tuotteen ulkopinnan metalliosista saatat saada sähköiskun tai aiheuttaa räjähdyksen, jos vahingossa osut sähköjohtoon, kaasuputkeen tai vesiputkeen.
- ▶ Kun katkaiset putkia, esimerkiksi seinäreikien teon tai asennustöiden yhteydessä, varmista, että putkissa ei ole nestettä; tarvittaessa tyhjennä putket ensin. Kun katkaiset putkea, pidä tuote katkaistavan putken yläpuolella. Tuotetta ei ole suojattu kosteuden sisään tunkeutumiselta.

## Sähkötökalujen käyttö ja hoito

- ▶ Käytä vain oikeankokoisia sahanteriä.
- ▶ Älä käytä tylsiä tai vaurioituneita sahanteriä. Ne lisäävät kitkaa ja suurentavat sahanterän kiinni tarttumisen sekä takaiskun vaaraa.
- ▶ Noudata valmistajan antamia sahanterien käsittelyn ja säilyttämisen ohjeita.

## 2.4 Akkujen käyttö ja hoito

- ▶ **Noudata seuraavia turvallisuusohjeita, jotka varmistavat litiumioniakkujen turvallisen käsittelyn ja käytön.** Ohjeiden noudattamatta jättäminen saattaa aiheuttaa ihoärsytystä, vakavia syöpymisvammoja, kemiallisia palovammoja, tulipalon ja/tai räjähdyksen.
- ▶ Käytä vain akkua, joka on teknisesti moitteettomassa kunnossa.
- ▶ Käsittele akkuja huolellisesti, jotta vältät vauriot ja terveydelle vakavasti vaarallisten nesteiden vuotamisen ulos!
- ▶ Akkuja ei saa mitenkään muuttaa tai manipuloida!
- ▶ Akkuja ei saa avata, puristaa, kuumentaa lämpötilaan yli 80 °C (176 °F) tai polttaa.
- ▶ Älä käytä tai lataa akkua, johon on kohdistunut isku tai joka muutoin on vaurioitunut. Tarkasta akustasi vaurioiden merkit säännöllisin välein.
- ▶ Älä koskaan käytä kierrätettyä tai korjattua akkua.
- ▶ Älä käytä akkua tai akkukäyttöistä sähkötyökalua koskaan lyöntityökaluna.
- ▶ Älä koskaan altista akkua suoralle auringonpaisteelle, korkealle lämpötilalle, kipinöille tai avotulelle. Siitä voi aiheutua räjähdys.
- ▶ Älä kosketa akun napoja sormilla, työkaluilla, koruilla tai muilla metallisilla esineillä. Seurauksena akku voi vaurioitua ja aiheuttaa aineellisia vahinkoja tai vammoja.
- ▶ Älä altista akkua sateelle, kosteudelle tai nesteille. Sisään tunkeutunut kosteus voi aiheuttaa oikosulun, sähköiskun, palovammoja tai räjähdyksen.
- ▶ Käytä aina vain tälle akkutyypille tarkoitettuja latureita ja sähkötyökaluja. Noudata niiden käyttöohjeissa annettuja ohjeita.
- ▶ Älä käytä tai varastoi akkua räjähdysvaarallisessa ympäristössä.
- ▶ Jos akku on liian kuuma koskea, se saattaa olla vaurioitunut. Laita akku palovaarattomaan paikkaan ja riittävän etäälle syttyivistä materiaaleista. Anna akun jäähtyä. Jos akku vielä tunnin kuluttuakin on liian kuuma koskea, akku on vaurioitunut. Ota yhteys **Hilti**-huoltoon tai lue dokumentti "**Hilti**-litiumioniakkujen turvallisuuteen ja käyttöön liittyviä ohjeita".



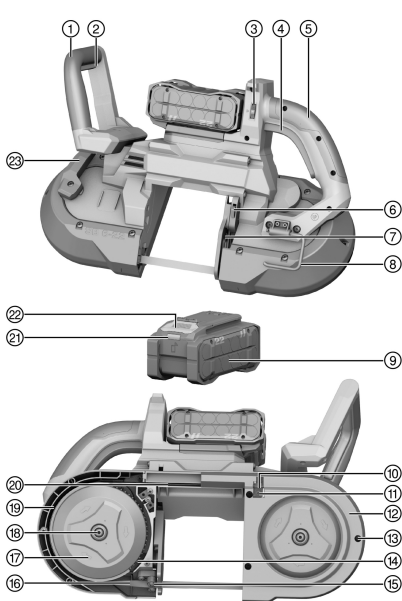
Noudata erityisiä ohjeita ja direktiivejä, jotka koskevat litiumioniakkujen kuljettamista, varastointia ja käyttöä. → Sivu 111

Lue **Hilti**-litiumioniakkujen turvallisuuteen ja käyttöön liittyvät ohjeet, jotka saat skannaamalla tämän käyttöohjeen lopussa olevan QR-koodin.



### 3 Kuvaus

#### 3.1 Tuoteyhteenvedo



- ① Käsikahva jossa turvakytkin
- ② Turvakytkin
- ③ Kierroslukukytkin
- ④ Käyttökytkin
- ⑤ Käsikahva jossa käyttökytkin
- ⑥ Leikkausohjaimen lukitsin
- ⑦ Leikkausohjain
- ⑧ Ripustuskoukku
- ⑨ Akku
- ⑩ Kannatinlevy
- ⑪ Kannatinlevyn ruuvi
- ⑫ Sahanterän suojus
- ⑬ Sahanterän suojuksen ruuvi
- ⑭ Ohjainurat
- ⑮ Sahanterän ohjain
- ⑯ Sahanterä
- ⑰ Rulla
- ⑱ Rullan kiinnitys
- ⑲ Kumirengas
- ⑳ Sahanterän ohjainkouru
- ㉑ Akun tilanäyttö
- ㉒ Akun lukituksen vapautuspainike
- ㉓ Sahanterän kiristysvipu

#### 3.2 Tarkoituksenmukainen käyttö

Kuvattu tuote on akkukäyttöinen vannesaha. Se on tarkoitettu metallimateriaalien ja muovien sahaamiseen. Tuote on tarkoitettu kahdella kädellä käytettäväksi.

- Käytä tässä tuotteessa vain tyyppisarjan B 22 **Hilti** Nuron -litiumioniakkuja. Parhaan tehon saavuttamiseksi **Hilti** suosittaa, että tässä tuotteessa käytetään vain tämän käyttöohjeen lopussa olevassa taulukossa mainittuja akkuja.
- Käytä näiden akkujen lataamiseen vain tämän käyttöohjeen lopussa olevassa taulukossa mainittujen tyyppisarjojen **Hilti**-latureita.

#### 3.3 Toimituksen sisältö

Vannesaha, käyttöohje

Muita tälle tuotteelle hyväksytyjä järjestelmätuotteita löydät **Hilti Store** -liikkeestä tai nettiosoitteesta: [www.hilti.group](http://www.hilti.group)

#### 3.4 Litiumioniakun näyttö

**Hilti** Nuron -litiumioniakuiissa on lataustilan, vikailmoitusten ja akun kunnan näyttö.

##### 3.4.1 Lataustilan ja vikailmoitusten näyttö



**VAARA**

**Loukkaantumisvaara akun putoamisesta aiheutuva!**

- ▶ Varmista, että akku on kunnolla lukittunut tuotteeseen, jos akun paikalleen laittamisen jälkeen olet painanut lukituksen vapautuspainiketta.

Jotta jokin seuraavista näytöistä voi tulla näyttöön, paina akun lukituksen vapautuspainiketta lyhyesti. Lataustila ja mahdolliset häiriöt pysyvät näytössä niin kauan, kuin liitetty tuote on päälle kytkettynä.



Tila	Merkitys
Neljä (4) LED-merkkivaloa palaa jatkuvasti vihreänä	Lataustila: 100...71 %
Kolme (3) LED-merkkivaloa palaa jatkuvasti vihreänä	Lataustila: 70...51 %
Kaksi (2) LED-merkkivaloa palaa jatkuvasti vihreänä	Lataustila: 50...26 %
Yksi (1) LED palaa jatkuvasti vihreänä	Lataustila: 25...10 %
Yksi (1) LED-merkkivalo vilkkuu hitaasti vihreänä	Lataustila: < 10 %
Yksi (1) LED-merkkivalo vilkkuu nopeasti vihreänä	Litiumioniakku on täysin tyhjentynyt. Lataa akku. Jos LED-merkkivalo akun lataamisen jälkeenkin vielä vilkkuu nopeasti, ota yhteys <b>Hilti</b> -huoltoon.
Yksi (1) LED-merkkivalo vilkkuu nopeasti keltaisena	Litiumioniakku tai siihen liitetty tuote on ylikuormitunut, liian kuuma tai liian kylmä tai jokin muu vika on olemassa. Saata tuote ja akku suositeltuun käyttölämpötilaan ja älä ylikuormita tuotetta sitä käyttäessäsi. Jos viesti edelleen on näytössä, ota yhteys <b>Hilti</b> -huoltoon.
Yksi (1) LED-merkkivalo palaa keltaisena	Litiumioniakku ja siihen liitetty tuote eivät ole yhteensopivat. Ota yhteys <b>Hilti</b> -huoltoon.
Yksi (1) LED-merkkivalo vilkkuu nopeasti punaisena	Litiumioniakku on estetty eikä sitä voida käyttää. Ota yhteys <b>Hilti</b> -huoltoon.

### 3.4.2 Akun kunnan näyttö

Litiumioniakun kunnan voit hakea näyttöön painamalla akun lukituksen vapautuspainiketta yli kolmen sekunnin ajan. Järjestelmä tunnistaa akun mahdollisen virheellisen toiminnan väärin käyttämisen seurauksena, esimerkiksi akku päässyt putoamaan, akussa reikä, akussa ulkoisen lämmön aiheuttama vaurio jne.

Tila	Merkitys
Kaikki LED-merkkivalot syttyvät juoksevasti ja sitten yksi (1) LED-merkkivalo jää palamaan vihreänä.	Accun käyttämistä voidaan jatkaa.
Kaikki LED-merkkivalot syttyvät juoksevasti ja sitten yksi (1) LED-merkkivalo vilkkuu nopeasti keltaisena.	Kyselyä akun kunnosta ei saatu tehtyä loppuun saakka. Toista tämä vaihe tai ota yhteys <b>Hilti</b> -huoltoon.
Kaikki LED-merkkivalot syttyvät juoksevasti ja sitten yksi (1) LED-merkkivalo jää palamaan punaisena.	Jos liitettyä tuotetta voi edelleen käyttää, jäljellä oleva akkukapasiteetti on alle 50 %. Jos liitettyä tuotetta ei enää voi käyttää, akku on tullut käyttöikänsä päähän ja vaihdettava. Ota yhteys <b>Hilti</b> -huoltoon.

## 4 Tekniset tiedot

Paino EPTA Procedure 01 mukaan ilman akkua	6,5 kg
Nimellisjännite	21,6 V
Tyhjäkäyntikierrosluku	150 m/min
Max. sahausvyövyys	127 mm
Tuotteen mitat (Pituus x leveys x korkeus)	525 mm x 175 mm x 375 mm
Sahanterän mitat (Pituus x leveys x paksuus)	1 140 mm x 12,4 mm x 0,5 mm
Ympäristön lämpötila käytettäessä	-17 °C ... 60 °C
Varastointilämpötila	-20 °C ... 70 °C

### 4.1 Akku

Akkutoimintajännite	21,6 V
Akun paino	Ks. tämän käyttöohjeen loppu
Ympäristön lämpötila käytettäessä	-17 °C ... 60 °C



Varastointilämpötila	-20 °C ... 40 °C
Akun lämpötila lataamisen alkaessa	-10 °C ... 45 °C

#### 4.2 Melutiedot ja tärinäarvot EN 60745 mukaan

Tässä käyttöohjeessa annetut äänenpaine- ja tärinäarvot on mitattu standardoitujen mittausmenetelmien mukaisesti, ja näitä arvoja voidaan käyttää sähkötyökalujen vertailussa. Ne soveltuvat myös altistumisten tilapäiseen arviointiin. Annetut arvot koskevat sähkötyökalun pääasiallisia käyttötarkoituksia. Jos sähkötyökalua kuitenkin käytetään muihin tarkoituksiin, poikkeavia työkaluja tai teriä käyttäen tai puutteellisesti huollettuna, arvot voivat poiketa tässä ilmoitetuista. Tämä saattaa merkittävästi lisätä altistumista koko työskentelyajan aikana. Altistumisia tarkasti arvioitaessa on otettava huomioon myös ne ajat, jolloin kone on kytketty pois päältä tai jolloin kone on päällä, mutta sillä ei tehdä varsinaista työtä. Tämä saattaa merkittävästi vähentää altistumista koko työskentelyajan aikana. Käyttäjän suojaamiseksi melun ja/tai tärinän vaikutukselta ryhdy tarpeellisiin turvatoimenpiteisiin kuten: Sähkötyökalun ja siihen kiinnitettävien työkaluterien huolto, käsien lämpimänä pitäminen, työtehtävien organisointi.

##### Melutiedot

Äänitehotaso ( $L_{WA}$ )	86 dB(A)
Äänitehotason epävarmuus ( $K_{WA}$ )	3 dB(A)
Äänenpainetaso ( $L_{pA}$ )	75 dB(A)
Äänenpainetaso epävarmuus ( $K_{pA}$ )	3 dB(A)

##### Tärinän kokonaisarvot

Tärinäarvo leikattaessa metallia (ah,CM)	B 22-55	0,8 m/s <sup>2</sup>
	B 22-255	0,7 m/s <sup>2</sup>
Epävarmuus (K)		1,5 m/s <sup>2</sup>

## 5 Työkohteen valmistelu

### VAARA

#### Loukkaantumiswaara vahingossa käynnistymisen seurauksena!

- ▶ Varmista ennen akun kiinnittämistä, että tuote on kytketty pois päältä.
- ▶ Irrota akku, ennen kuin muutat koneen säätöjä tai vaihdat lisävarusteosia.

Noudata tässä dokumentaatioissa ja tuotteessa olevia turvallisuus- ja varoitushuomautuksia.

#### 5.1 Akun lataus

1. Ennen lataamista lue laturin käyttöohje.
2. Varmista, että liittimet akussa ja laturissa ovat puhtaat ja kuivat.
3. Lataa akku hyväksytyllä laturilla. → Sivu 104

#### 5.2 Akun kiinnitys

### VAARA

#### Loukkaantumiswaara akun oikosulun tai putoamisen seurauksena!

- ▶ Ennen akun paikalleen laittamista varmista, ettei akun liittimissä akussa ja tuotteessa ole vieraita esineitä.
- ▶ Varmista, että akku aina lukittuu kunnolla paikalleen.

1. Lataa akku täyteen ennen ensimmäistä käyttökertaa.
2. Työnnä akku tuotteeseen siten, että akku kuultavasti lukittuu paikalleen.
3. Tarkasta, että akku on kunnolla kiinni.

#### 5.3 Akun irrotus

1. Paina akun lukituksen vapautuspainiketta.
2. Vedä akku irti tuotteesta.





## 5.4 Sahanterän vaihto

### VAARA

**Sahanterä aiheuttaa loukkaantumiswaaran.** Sahanterä voi olla kuuma ja/tai teräväreunainen ja irrota.

- ▶ Käytä suojakäsineitä ja silmäsuojaimia työtä tehdessäsi ja sahanterää vaihtaessasi.
- ▶ Käytä vannesahaa aina sahanterän suojus oikein paikalleen kiinnitettynä.
- ▶ Älä koskaan laske käytössä ollutta vannesahaa syttyville pinnoille.

### HUOMIO

**Vääränlaisen sahanterän aiheuttamat aineelliset vahingot.** Vääränlaisesta sahanterästä voi aiheutua materiaalin ennenaikaista väsymistä ja vannesahan vaurioita.

- ▶ Valitse vannesahalle ja materiaalille oikea sahanterä.
- ▶ Valitse sahanterä, jonka hammastiheys (hammasta per tuuma) on sahattavalle materiaalille oikea: tiheä hammastus koville/ohuille materiaaleille; harva hammastus pehmeille/paksuille materiaaleille.
- ▶ Käytä vain sahanterä, joiden paksuus on 0,5 mm. Paksummista sahanteristä aiheutuu suurempi taivutuskuormitus ja hampaiden nopeampi kuluminen.
- ▶ Valitse sahanterä siten, että aina vähintään kaksi hammasta koskettaa työ kappaletta.
- ▶ Käytä vain sahanterä, joiden mitat ovat 1140 mm × 12,5 mm × 0,5 mm.

1. Avaa sahanterän kummankin suojuksen ruuvit.
2. Irrota sahanterän kummatkin suojuukset.
3. Käännä kiristysvipu vasteeseen saakka.
  - ▶ Sahanterä löystyy.
4. Irrota vanha sahanterä ohjaimesta ja hävitä.
5. Aseta uusi sahanterä sahanterän ohjaimeseen.
6. Ohjaa uusi sahanterä kummallekin rullalle.
7. Laita uusi sahanterä sahanterän ohjainkouruun.
8. Tarkasta, että sahanterä on kunnolla paikallaan.
9. Käännä kiristysvipu vasteeseen saakka.
  - ▶ Sahanterä kiristyy.
10. Aseta sahanterän kummatkin suojuukset paikalleen.
11. Kiristä sahanterän kummankin suojuksen ruuvit kiinni.

## 5.5 Putoamissuoja

### VAARA

**Loukkaantumiswaara** työkalun ja/tai lisävarusteen putoamisvaaran vuoksi!

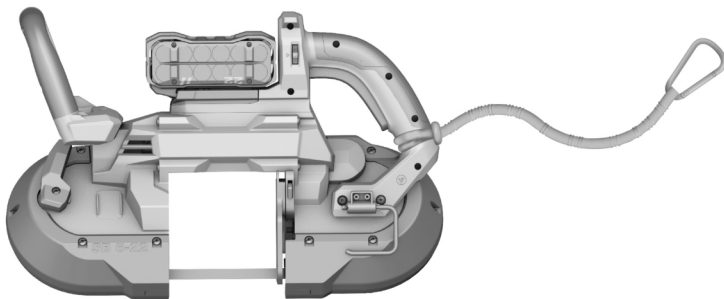
- ▶ Käytä vain tuotteellesi suositeltua **Hilti**-työkaluliinaa.
- ▶ Aina ennen käyttöä tarkasta työkaluliinan kiinnityspisteen mahdolliset vauriot.



Noudata maassasi voimassa olevia korkealla tehtävien töiden määräyksiä ja ohjeita.

Käytä tämän tuotteen putoamissuojana ainoastaan **Hilti**-työkaluliinaa #2261971.





- ▶ Kiinnitä työkaluliina lenkistään tuotteeseen kuvan mukaisesti. Tarkasta kunnollinen kiinnitys.
- ▶ Kiinnitä karbiinikoukku kantavaan rakenteeseen. Tarkasta, että karbiinikoukku on kunnolla kiinni.



Noudata **Hilti**-työkaluliinan käyttöohjetta.

## 6 Käyttö

Noudata tässä dokumentaatiossa ja tuotteessa olevia turvallisuus- ja varoitushuomautuksia.

### 6.1 Leikkausohjaimen säätö

1. Paina leikkausohjaimen lukitsinta ja pidä se painettuna.
2. Työnnä leikkausohjain haluamallesi korkeudelle.
3. Vapauta leikkausohjaimen lukitsin.

### 6.2 Sahaaminen

#### VAARA

**Loukkaantumiswaara** vannesahan takaiskun vuoksi.

- ▶ Ennen sahaamista kiinnitä työkalu esimerkiksi ruuvipenkkiin.
- ▶ Suuntaa vannesaha ja työkalu toisiinsa.

#### VAARA

**Loukkaantumiswaara** Varmista, että saha on täysin pysähtynyt.

- ▶ Nosta tuote työkalusta vasta, kun tuote on täysin pysähtynyt.
- ▶ Odota, että tuote on täysin pysähtynyt, ennen kuin lasket sen kädestäsi.

#### VAARA

**Sahanterä aiheuttaa loukkaantumiswaaran.** Sahanterä voi olla kuuma ja/tai teräväreunainen ja irrota.

- ▶ Käytä suojakäsineitä ja silmäsuojaimia työtä tehdessäsi ja sahanterää vaihtaessasi.
- ▶ Käytä vannesahaa aina sahanterän suojus oikein paikalleen kiinnitettynä.
- ▶ Älä koskaan laske käytössä ollutta vannesahaa syttyville pinnoille.



**⚠ HUOMIO**

**Vääränlaisen sahanterän aiheuttamat aineelliset vahingot.** Vääränlaisesta sahanterästä voi aiheutua materiaalin ennenaikaista väsymistä ja vannesahan vaurioita.

- ▶ Valitse vannesahalle ja materiaalille oikea sahanterä.
- ▶ Valitse sahanterä, jonka hammastiheys (hammasta per tuuma) on sahattavalle materiaalille oikea: tiheä hammastus koville/ohuille materiaaleille; harva hammastus pehmeille/paksuille materiaaleille.
- ▶ Käytä vain sahanteriä, joiden paksuus on 0,5 mm. Paksummista sahanteristä aiheutuu suurempi taivutuskuormitus ja hampaiden nopeampi kuluminen.
- ▶ Valitse sahanterä siten, että aina vähintään kaksi hammasta koskettaa työkalpaletta.
- ▶ Käytä vain sahanteriä, joiden mitat ovat 1140 mm × 12,5 mm × 0,5 mm.

Tarkasta kumirenkaan vauriot säännöllisin välein.

Puhdista sahanterän suojukset ja leikkausohjain pölystä ja lastuista aina työn jälkeen, jotta vannesaha kestävä pitempään.



Vannesahan käynnistämiseksi: Paina ensin käyttökytkintä ja sitten turvakytkintä ja pidä ne painettuina yhtä aikaa.



Vannesahan omapaino riittää sahaamiseen. Älä paina vannesahaa enempää.

1. Tarvittaessa vaihda kumirengas. → Sivu 110
2. Tarvittaessa vaihda sahanterä. → Sivu 107
3. Paina käyttökytkintä ja pidä painettuna.
4. Paina turvakytkintä ja pidä se painettuna.
5. Aseta vannesaha työkalpaletta vasten siten, että mahdollisimman monta sahanterän hammasta koskettaa työkalpaletta.
6. Saha.



Ohjaa vannesahaa siten, että mahdollisuuksien mukaan aina kolme hammasta pysyy sahausurassa.

7. Vapauta käyttökytkin.

## 7 Huolto, hoito ja kunnossapito

**⚠ VAARA**

**Loukkaantumisvaara jos akku paikallaan !**

- ▶ Irrota akku aina ennen hoito- ja kunnostustöitä!

### Tuotteen hoito

- Puhdista pinttynyt lika varovasti.
- Jos tuotteessa on jäähdytysilmaraat, puhdista ne varovasti kuivalla ja pehmeällä harjalla.
- Puhdista kotelon pinnat vain kevyesti kostutetulla kankaalla. Älä käytä silikonista sisältäviä hoitoaineita, sillä ne saattavat vaurioittaa muoviosia.
- Käytä tuotteen liittimien puhdistamiseen vain puhdasta ja kuivaa kangaspalaa.

### Litiumioniakkujen hoito

- Älä koskaan käytä akkua, jos sen jäähdytysilmaraat ovat tukkeutuneet. Puhdista jäähdytysilmaraat varovasti kuivalla, pehmeällä harjalla.
- Vältä altistamista akkua tarpeettomasti pölylle tai lialle. Älä koskaan altista akkua suurelle kosteudelle (esimerkiksi upota veteen tai jätä sateeseen).

Jos akku on pahoin kastunut, käsittele sitä kuin vaurioitunutta akkua. Eristä akku palamattomasta materiaalista valmistettuun astiaan ja ota yhteys **Hilti**-huoltoon.

- Pidä akku öljyttömänä ja rasvattomana. Älä anna pölyn ja lian kertyä akun pintaan. Puhdista akku kuivalla, pehmeällä harjalla tai puhtaalla, kuivalla kankaalla. Älä käytä silikonista sisältäviä hoitoaineita, sillä ne saattavat vaurioittaa muoviosia.

Älä kosketa akun liittimiä äläkä poista akun liittimiin tehtaalla laitettua rasvaa.



- Puhdista kotelon pinnat vain kevyesti kostutetulla kankaalla. Älä käytä siilikonia sisältäviä hoitoaineita, sillä ne saattavat vaurioittaa muoviosia.

### Kunnossapito

- Tarkasta säännöllisin välein kaikkien näkyvien osien mahdolliset vauriot ja käyttöelementtien moitteeton toiminta.
- Jos havaitset vaurioita ja/tai toimintahäiriöitä, älä käytä tuotetta. Korjauta tuote viipymättä **Hilti**-huollossa.
- Hoito- ja kunnostustöiden jälkeen kiinnitä kaikki suojalaitteet takaisin ja tarkasta niiden moitteeton toiminta.



Käyttöturvallisuuden varmistamiseksi käytä vain alkuperäisiä varaosia ja käyttömateriaaleja. **Hiltin** tälle tuotteelle hyväksymiä varaosia, kulutusmateriaaleja ja lisävarusteita löydät **Hilti Store** -liikkeestä tai osoitteesta: [www.hilti.group](http://www.hilti.group)

## 7.1 Sahanterän suojuksen vaihto 5



Vaihda sahanterän suojus, jos havaitset siinä vaurioita.

1. Avaa sahanterän suojuksen ruuvit.
2. Irrota sahanterän vaurioitunut suojus ja hävitä se.
3. Aseta uusi sahanterän suojus paikalleen vannesahaan.
4. Kiristä sahanterän suojuksen ruuvit kiinni 2–3 Nm:n tiukkuuteen.

## 7.2 Kumirengkaan vaihto 6



Vaihda kumirengas, jos havaitset siinä vaurioita.

1. Irrota sahanterä → Sivu 107.
2. Irrota kumirengas.
3. Tarkasta ohjausurien likaisuus ja tarvittaessa puhdista ne.
4. Kiinnitä uusi kumirengas sahanterän rullaan.
5. Suuntaa kumirengasta niin kauan, kunnes se kauttaaltaan on ohjainurissa.
6. Kiinnitä sahanterä takaisin. → Sivu 107.

## 7.3 Sahanterän ohjaimen vaihto 7



Vaihda sahanterän ohjain, jos havaitset siinä vaurioita, esimerkiksi jos sahanterä on leikannut siihen uran.

1. Irrota sahanterä → Sivu 107.
2. Avaa sahanterän ohjaimen kummatkin ruuvit.
3. Irrota sahanterän vaurioitunut ohjain vannesahasta ja hävitä se.
4. Aseta sahanterän uusi ohjain paikalleen vannesahaan.
5. Kiristä sahanterän ohjaimen kummatkin ruuvit kiinni 2–3 Nm:n tiukkuuteen.
6. Kiinnitä sahanterä takaisin. → Sivu 107.

## 7.4 Kannatinlevyn vaihto 8



Vaihda kannatinlevy, jos sahanterä hankaa tai juuttuu.

1. Irrota sahanterä → Sivu 107.
2. Avaa kannatinlevyn ruuvi.
3. Irrota vaurioitunut kannatinlevy vannesahasta ja hävitä se.
4. Aseta uusi kannatinlevy paikalleen vannesahaan.
5. Kiristä kannatinlevyn ruuvi kiinni 2–3 Nm:n tiukkuuteen.



## 8 Akkukäyttöisten työkalujen ja akkujen kuljetus ja varastointi

### Kuljettaminen

#### VAROITUS

#### Käynnistyminen vahingossa kuljetuksen aikana !

- ▶ Kuljeta tuotteesi aina akku irrotettuna!
- 
- ▶ Irrota akku/akut.
  - ▶ Älä koskaan kuljeta akkuja irrallaan muiden tavaroiden joukossa. Akut on suojattava kuljetuksen ajaksi kovilta iskuilta ja värinäältä, ja ne on eristettävä kaikenlaisista sähköä johtavista materiaaleista ja muista akuista, jotta niiden navat eivät pääse kosketuksiin muiden akkujen napojen kanssa. Seurauksena saattaisi olla oikosulku. **Noudata maakohtaisia akkujen kuljetusmääräyksiä.**
  - ▶ Akkuja ei saa koskaan lähettää postitse. Käännä kuljetusyrityksen puoleen, kun haluat lähettää vaurioittomia akkuja.
  - ▶ Tarkasta tuotteen ja akun mahdolliset vauriot aina ennen käyttöä sekä ennen pitkää kuljetusta ja sen jälkeen.

### Varastointi

#### VAARA

#### Viallinen tai vuotava akku voi aiheuttaa vaurioita !

- ▶ Varastoi tuotteesi aina akku irrotettuna!
- 
- ▶ Varastoi tuote ja akut viileässä ja kuivassa paikassa. Ota teknisissä tiedoissa annetut lämpötilarajat huomioon.
  - ▶ Akkuja ei saa säilyttää laturissa. Irrota akku laturista aina latauksen päätyttyä.
  - ▶ Älä koskaan varastoi akkuja auringonpaisteessa, lämmönlähteen päällä tai ikkunan vieressä.
  - ▶ Varastoi tuote ja akut lasten ja asiattomien henkilöiden ulottumattomissa.
  - ▶ Tarkasta tuotteen ja akun mahdolliset vauriot aina ennen käyttöä sekä ennen pitkää varastointia ja sen jälkeen.

## 9 Apua häiriötilanteisiin

Kaikkissa häiriötilanteissa tarkkaile akun tilanäyttöä. Ks. kappale **Litiumioniakun merkkivalot**.

Häiriöissä, joita ei ole kuvattu tässä taulukossa tai joita et itse pysty poistamaan, ota yhteys **Hilti**-huoltoon.

Häiriö	Mahdollinen syy	Ratkaisu
Tuotteen teho heikko.	Käyttökytkin ei täysin pohjaan painettuna.	▶ Paina käyttökytkin täysin pohjaan.
Tuotetta ei saa kytkettyä päälle.	Päälle kytkemisen salpaa ei ole painettu.	▶ Paina päälle kytkemisen salpaa.
Tuote ei käynnisty.	Vannesahaterä juuttunut	▶ Tarkasta, onko sahanterä oikein kiinnitetty ja/tai onko siinä vaurioita.
Akun LED-merkkivalot eivät näytä mitään	Akku rikki	▶ Ota yhteys <b>Hilti</b> -huoltoon.


## 10 Hävittäminen

#### VAARA

**Määräystenvastaisten hävittäminen aiheuttaa loukkaantumisvaaran!** Ulos vuotavat kaasut tai nesteet vaarantavat terveyden.

- ▶ Älä lähetä vaurioituneita akkuja!
- ▶ Peitä liittännät sähköä johtamattomalla materiaaalilla oikosulkujen välttämiseksi.
- ▶ Hävitä akut siten, etteivät ne voi joutua lasten käsiin.
- ▶ Hävitä akku viemällä se **Hilti Store** -liikkeeseen tai käännä vastuullisen jätteenkäsittely-yrityksen puoleen.



 **Hilti**-tootet on pääsolin valmistettu kierrätyskelpoisista materiaaleista. Kierrätysken edellytys on materiaalien asianmukainen lajittelu. Useissa maissa **Hilti** ottaa vanhat koneet ja laitteet vastaan kierrätystä ja hävitystä varten. Lisätietoja saat **Hilti**-huollosta tai -edustajalta.



- ▶ Älä hävitä sähkötyökaluja, elektronisia laitteita ja akkuja tavallisen sekajätteen mukana!

## 11 Valmistajan myöntämä takuu

- ▶ Jos sinulla on takuuehtoihin liittyviä kysymyksiä, ota yhteys paikalliseen **Hilti**-edustajaan.

## 12 Lisätietoja

Lisätietoa käytöstä, tekniikasta, ympäristöstä ja kierrätyksestä saat seuraavasta linkistä: [qr.hilti.com/manual/?id=2354065&id=2354067](http://qr.hilti.com/manual/?id=2354065&id=2354067)

Sama linkki on myös QR-koodina dokumentaation lopussa.

# Originaalkasutusjuhend

## 1 Andmed kasutusjuhendi kohta

### 1.1 Käesoleva käsitemisjuhendi kohta

- Enne seadme kasutuselevõttu lugege läbi kasutusjuhend. See on ohutu kasutamise ja tõrgeteta töö eeldus.
- Järgige käesolevas kasutusjuhendis ja seadmel esitatud ohutusnõudeid ja hoiatusi.
- Hoidke kasutusjuhend alati toote juures ja andke toode teistele isikutele edasi ainult koos käesoleva kasutusjuhendiga.

### 1.2 Märkide selgitus

#### 1.2.1 Hoiatused

Hoiatused annavad märku toote kasutamisel tekkivatest ohtudest. Kasutatakse järgmisi märksõnu:

**OHT****OHT !**

- ▶ Võimalikud ohtlikud olukorrad, mis võivad põhjustada kasutaja raskeid kehavigastusi või hukkumist.

**HOIATUS****HOIATUS !**

- ▶ Võimalik ohtlik olukord, mis võib põhjustada kasutaja raskeid kehavigastusi või hukkumist.

**ETTEVAATUST****ETTEVAATUST !**

- ▶ Võimalikud ohtlikud olukorrad, mis võivad põhjustada kehavigastusi või varalist kahju.

#### 1.2.2 Sümbolid kasutusjuhendis

Käesolevas kasutusjuhendis kasutatakse järgmisi sümboleid:



Järgige kasutusjuhendit



Soovitused seadme kasutamiseks ja muu kasulik teave



Taaskasutatavate materjalide käsitlemine



Elektrilisi tööriistu ja akusid ei tohi visata olmejäätmete hulka



	<b>Hilti</b> Li-Ion-aku
	<b>Hilti</b> Laadimisseade

### 1.2.3 Joonistel kasutatud sümbolid

Joonistel kasutatakse järgmisi sümboleid.

	Numbrid viitavad vastavatele joonistele kasutusjuhendi juhendi alguses.
3	Numeratsioon kajastab töetappide järjekorda pildil kujul ja võib tekstis kirjeldatud töetappidest kõrvale kalduda.
	Positsiooninumbreid kasutatakse joonisel <b>Ülevaade</b> ja need viitavad selgituste numbritele lõigus <b>Toote ülevaade</b> .
	See märk näitab, et toote käsitlemisel tuleb olla eriti tähelepanelik.

## 1.3 Tootest sõltuvad sümbolid

### 1.3.1 Sümbolid tootel

Tootel võib kasutada alljärgnevat sümbolit:

	Alalisvool
	Pöörlemissuuna nool
	Toote toetab NFC-tehnoloogiat, mis ühildub iOS- ja Android-platvormidega.
Li-Ion	Liitiumioonaku
	Ärge kunagi lööge akut mingi esemega ja ärge kasutage akut kunagi lõõgiriistana.
	Ärge laske akul kunagi maha kukkuda. Ärge kasutage akut, mis on saanud löögi või on muul moel kahjustatud.

## 1.4 Tooteinfo

**HILTI** tooted on ette nähtud professionaalsele kasutajale ja neid tohivad käsitseda, hooldada ja korras hoida ainult volitatud ja asjaomase väljaõppega isikud. Nimetatud personal peab olema teadlik kõikidest kaasnevatest ohtudest. Seade ja sellega ühendatavad abivahendid võivad osutada ohtlikuks, kui neid ei kasutata nõuetekohaselt või kui nendega töötab vastava väljaõppeta isik.

Tüübitähis ja seerianumber on tüübisildil.

- ▶ Kandke seerianumber järgmisse tabelisse. Andmeid toote kohta vajate meie esindusele või hooldekeskusele päringute esitamisel.

#### Tooteinfo

Akulintsaaeg	SB 6-22
Põlvkond	01
Seerianumber	

## 1.5 Vastavusdeklaratsioon

Seadme tootja kinnitab ainuvastutajana, et käesolevas kasutusjuhendis kirjeldatud seade vastab kehtivate õigusaktide nõuetele ja kehtivatele standarditele. Vastavusdeklaratsiooni koopia leiab käesoleva kasutusjuhendi lõpust.

Tehnilised dokumendid on saadaval:

**Hilti** Entwicklungsgesellschaft mbH | Zulassung Geräte | Hiltistraße 6 | 86916 Kaufering, DE



### 2.1 Üldised ohutusnõuded elektriliste tööriistade kasutamisel

**⚠ HOIATUS! Lugege kõiki selle elektrilise tööriista juurde kuuluvaid ohutusjuhiseid, nõuandeid, jooniseid ja tehnilisi andmeid!** Järgmisteh juhiste eiramise tagajärg võib olla elektrilöökk, tulekahju ja/või rasked vigastused.

**Hoidke kõik ohutusnõuded ja juhised edaspidiseks kasutamiseks alles.**

Ohutusjuhistes kasutatud mõiste "elektriline tööriist" käib võrgutoitega (toitejuhtmega) elektriliste tööriistade või akutoitega (toitejuhtmeta) elektriliste tööriistade kohta.

#### Ohutus töökojal

- ▶ **Hoidke oma töökoht puhas ja valgustage seda korralikult.** Korrastamata ja valgustamata töökoht võib põhjustada õnnetusi.
- ▶ **Ärge kasutage elektrilist tööriista plahvatusohtlikus keskkonnas, kus leidub tuleohtlikke vedelikke, gaase või tolmu.** Elektrilistest tööriistadest lööb sädemeid, mis võivad tolmu või auru süüdata.
- ▶ **Hoidke lapsed ja kõik teised töökohest eemal, kui kasutate elektrilist tööriista!** Kui teie tähelepanu juhitakse kõrvale, võib seade teie kontrolli alt väljuda.

#### Elektriohutus

- ▶ **Elektrilise tööriista pistik peab sobima pistikupessa. Pistiku juures ei tohi teha mingeid muudatusi. Kaitsemaandusega seadmete puhul ei tohi kasutada adapterpistikuid.** Muutmata pistikud ja sobivad pistikupesad vähendavad elektrilöögiohtu.
- ▶ **Vältige keha kontakti maandatud pindadega (nt toru, radiaator, pliit, külmik).** Kui teie keha on maandatud, on elektrilöögi oht suurem.
- ▶ **Kaitske elektrilist tööriista vihma ja niiskuse eest.** Kui elektrilise tööriista sisemusse satub vett, suurendab see elektrilöögiohtu.
- ▶ **Ärge kasutage ühenduskaablit elektrilise tööriista kandmiseks, riputamiseks ega pistiku stepslist väljatõmbamiseks!** Hoidke ühenduskaablit eemal kuumusest, õlidest, teravatest servadest ja liikuvatest osadest. Kahjustatud või keerduv ühenduskaablid suurendavad elektrilöögiohtu.
- ▶ **Kui töotate elektrilise tööriistaga vabas õhus, kasutage ainult selliseid pikendusjuhtmeid, mida tohib kasutada ka välitingimustes.** Välitingimustes sobiva pikendusjuhtme kasutamine vähendab elektrilöögiohtu.
- ▶ **Kui seadmega töötamine niiskes keskkonnas on vältimatu, kasutage rikkevoolu kaitselüliti.** Rikkevoolu kaitselüliti kasutamine vähendab elektrilöögiohtu.

#### Inimeste ohutus

- ▶ **Olge tähelepanelik, jälgige, mida teete, ja toimige elektrilise tööriistaga töötades kaalutletult. Ärge töötagte elektrilise tööriistaga, kui olete väsinud või alkoholi, narkootikumide või ravimite mõju all!** Hetkeline tähelepanematus elektrilise tööriista kasutamisel võib põhjustada raskeid kehavigastusi ja varalist kahju.
- ▶ **Kandke isiklikke kaitsevahendeid ja alati kaitseprille.** Isiklike kaitsevahendite, nt tolmu maski, libisemiskindlate turvajalatsite, kaitsekiivri või kuulmiskaitsevahendite kandmine (sõltuvalt elektrilise tööriista tüübist ja kasutusala) vähendab vigastusohtu.
- ▶ **Vältige elektrilise tööriista soovimatut käivitamist!** Enne elektrilise tööriista ühendamist vooluvõrku ja/või elektrilise tööriista aku paigaldamist, tööriista ülestõstmist ja kandmist veenduge, et elektriline tööriist on välja lülitatud! Kui hoiate elektrilise tööriista kandmisel sõrme lüliti või ühendate vooluvõrku sisselülitatud tööriista, võib juhtuda õnnetus.
- ▶ **Enne elektrilise tööriista sisselülitamist eemaldage selle küljest seade- ja mutrivõtmed.** Elektrilise tööriista pöörleva osa küljes olev seade- või mutrivõti võib põhjustada vigastusi.
- ▶ **Vältige ebatavalist tööasendit! Võtke stabiilne tööasend ja säilitage alati tasakaal.** Nii saate elektrilist tööriista ootamatutes olukordades paremini kontrollida.
- ▶ **Kandke sobivat rõivastust. Ärge kandke laiu riideid ega ehteid! Hoidke juuksed, rõivad ja kindad seadme liikuvatest osadest eemal.** Lotendavad riided, ehted ja pikad juuksed võivad sattuda seadme liikuvate osade vahele.
- ▶ **Kui elektrilise tööriista külge on võimalik paigaldada tolmuemaldus- ja kogumisseadiseid, veenduge, et need on tööriistaga ühendatud ja et neid kasutatakse nõuetekohaselt.** Tolmuemaldus-seadise kasutamine võib vähendada tolmu kogumist tingitud ohte.
- ▶ **Ärge laske tekkida petlikul turvatundel ega eirake elektrilise tööriista ohutusreegleid isegi siis, kui olete pärast paljukordset kasutamist elektrilise tööriistaga harjunud.** Tähelepanematu käsitsemine võib sekundi mürdosa jooksul kaasa tuua raskeid vigastusi.





### Elektrilise tööriista kasutamine ja käsitsemine

- ▶ **Ärge koormake seadet üle!** Kasutage konkreetseks tööks sobivat elektrilist tööriista. See töötab ettenähtud jõudluspiirides tühisamalt ja ohutult.
- ▶ **Ärge kasutage elektrilist tööriista, mille lüliti on rikkis!** Elektriline tööriist, mida ei saa enam lülitist korralikult sisse ja välja lülitada, on ohtlik ning tuleb viia parandusse.
- ▶ **Tõmmake enne seadme mis tahes seadetöid, tarvikute vahetamist ja seadme hoiuolepanekut pistik pistikupesast välja ja/või eemaldage äravõetav aku.** See ettevaatusabinõu hoiab ära seadme soovimatut käivitumist.
- ▶ **Kasutusvälisel ajal hoidke elektrilist tööriista lastele kättesaamatus kohas.** Ärge laske seadet kasutada isikutel, kes seadme tööpõhimõtet ei tunne või ei ole lugenud käesolevaid kasutusjuhendeid. Asjatundmatute isikute käes on elektrilised tööriistad ohtlikud.
- ▶ **Hooldage elektrilisi tööriistu ja tarvikuid korralikult. Kontrollige, kas liukuvad osad töötavad veatult ega kiilu kiini.** Veenduge, et seadme osad ei ole murdunud või kahjustatud määral, mis mõjutab seadme töökindlust. Laske kahjustatud osad enne seadme kasutamist parandada. Ebapiisavalt hooldatud elektrilised tööriistad põhjustavad õnnetusi.
- ▶ **Hoidke lõiketarvikud teravad ja puhtad.** Hästi hooldatud, teravate lõikeservadega lõiketarvikud kiiluvad harvemini kinni ja neid on lihtsam juhtida.
- ▶ **Kasutage elektrilist tööriista, tarvikuid ja lisatarvikuid vastavalt nendele juhistele.** Arvestage seejuures töötingimuste ja tehtava töö iseloomuga. Elektrilise tööriista kasutamine otstarbel, milleks see ei ole ette nähtud, võib põhjustada ohtlikke olukordi.
- ▶ **Käepidemed ja haardepinnad peavad olema kuivad, puhtad ning vabad õlist ja rasvast.** Libedad käepidemed ja haardepinnad ei võimalda elektrilist tööriista ootamatutes olukordades kindlalt käitseda ega kontrollida.

### Akuga tööriista kasutamine ja käsitsemine

- ▶ **Laadige akusid ainult tootja soovitatud laadimiseseadmega.** Kui teatud tüüpi aku laadimiseks ettenähtud laadimiseseadet kasutatakse teist tüüpi akude laadimiseks, tekib tulekahjuoht.
- ▶ **Kasutage elektrilistes tööriistades ainult ettenähtud akusid.** Teist tüüpi akude kasutamine võib põhjustada vigastus- ja põlenguohtu.
- ▶ **Hoidke akud kasutusvälisel ajal eemal kirjaklambritest, müntidest, võtmetest, naeltest, kruvidest ja teistest väikestest metall-esemetest, mis võivad aku kontaktid omavahel ühendada.** Aku kontaktide vahel tekiv lühis võib põhjustada põletuse või tulekahju.
- ▶ **Väärkasutuse korral võib akuveelik akust välja voolata.** Vältige sellega kokkupuudet. Juhusliku kokkupuute korral loputage kahjustatud kohta veega. Kui vedelik satub silma, otsige ka arstiabi. Väljavoolav akuveelik võib põhjustada nahaärritust või põletust.
- ▶ **Ärge kasutage kahjustatud ega modifitseeritud akut!** Kahjustatud või modifitseeritud akud võivad käituda ettenägematult ja põhjustada tulekahju, plahvatusi või vigastusohtu.
- ▶ **Ärge laske akul kokku puutuda tule ega liiga kõrge temperatuuriga!** Tuli või temperatuur üle 130 °C (265 °F) võivad tekitada plahvatuse.
- ▶ **Järgige kõiki laadimisjuhiseid ja ärge kunagi laadige akut ega akutööriista väljaspool kasutusjuhendis näidatud temperatuurivahemikku.** Väär laadimine või laadimine väljaspool lubatud temperatuurivahemikku võib kahjustada akut ja suurendada tuleohtu.

### Hooldus

- ▶ **Laske elektrilist tööriista parandada ainult kvalifitseeritud spetsialistidel, kes kasutavad originaalvaruosi.** Nii on tagatud elektrilise tööriista ohutu töö.
- ▶ **Ärge hooldage kahjustatud akut!** Akut võib hooldada ainult tootja või volitatud klienditeenindus.

## 2.2 Ohutusnõuded lintsaagide kasutamisel

- ▶ **Kui teete töid, mille puhul võib tarvik tabada varjatud elektrijuhtmeid, hoidke seadet isoleeritud haardepinnast.** Kokkupuude pingestatud elektrijuhtmega võib seada pinge alla ka seadme metalldetailid ja põhjustada elektrilöögi.

## 2.3 Täiendavad ohutusnõuded

- ▶ Ärge viige oma käsi saagimispiirkonda ega vastu saelinti. Hoidke teise käega kaitselülitiga käepidet. Kui hoiate saagi kahe käega, siis jäävad teie käed terveks.
- ▶ Kasutage seadet ja lisatarvikuid ainult siis, kui nende tehniline seisukord on veatu.
- ▶ Ärge kunagi muutke ega modifitseerige seadet ega lisatarvikuid.
- ▶ Lülitage seade sisse alles siis, kui see on viidud tööasendisse.
- ▶ Vältige kokkupuudet seadme pöörlevate osadega - vigastuste oht!



- ▶ Olge toote töstmisel ja/või kandmisel ettevaatlik, kuna saelint on terav ja võib põhjustada löikevigastusi või varalist kahju.
- ▶ Seadme kasutamise ajal kandke kaitseprille, kaitsekiivrit ja kuulmiskaitsevahendeid.
- ▶ Tarviku vahetamiseks kandke kaitsekindaid. Tarviku puudutamine võib tekitada löikehaavu ja põletusi.
- ▶ Lihvimisel, lõikamisel ja puurimisel tekiv tolm võib sisaldada ohtlikke kemikaale. Mõned näited: plii või pliipõhised värvid; tellis, betoon ja muu müüritis, looduskivi ja muud silikaati sisaldavad tooted; teatud tüüpi puit, näiteks tamm, pöök ja keemiliselt töödeldud puit; asbest või asbesti sisaldavad materjalid. Tehke kindlaks kasutaja ja teiste läheduses viibivate isikutega kokkupuute tase, arvestades töödeldavate materjalide ohuklassi. Võtke vajalikud meetmed, et hoida kokkupuude ohutul tasemel, nt kasutage tolmukogumissüsteemi või kandke sobivat hingamisteede kaitse maski. Kokkupuute vähendamise üldiste meetmete hulka kuuluvad:
  - ▶ töötamine hästi ventileeritud piirkonnast,
  - ▶ tolmuga pikaajalise kokkupuute vältimine,
  - ▶ tolmuaemalajuhtimine näost ja kehast,
  - ▶ kaitserõivaste kandmine ja nähtavate kohtade pesemine vee ja seebiga.
- ▶ Vigastuste vältimiseks kasutage liintsaaigi ainult koos korrektselt paigaldatud saelindi kattega.
- ▶ Kasutage pikilõigete tegemisel alati juhikut või sirget liistu. See parandab lõiketäpsust ja vähendab saeketta kinnikiilumisohu.
- ▶ Ärge hoidke saetavat toorikut kunagi kinni käe või mõne muu kehaosaga. Kinnitage toorik stabiilsele aluspinnale. Tooriku tugev kinnitamine on oluline, et vähendada kehaga kokkupuute, saeketta kinnikiilumise ja seadme üle kontrolli kaotuse ohtu.
- ▶ Hoidke alati kahe käega seadme ettenähtud käepidemetest kinni ja hoidke käsivarsi selliselt, mis võimaldaks tagasilöögiõule vastu panna.
- ▶ Hoidke käepidemed kuivad ja puhtad ja vabad õlist ning rasvast.
- ▶ Seiske alati saetera suhtes küljega. Ärge jääge kehaga kunagi saeteraga ühele jonele! Tagasilöögi korral võib seade tahapoole viskuda!
- ▶ Võtke stabiilne tööasend, eelkõige pea kohal tehtavate tööde puhul. Pinna äkiline läbistamine võib teid tasakaalust välja viia.
- ▶ Läbistavate tööde korral võtke kaitsemeetmed mõlemal pool toorikut. Murduvad osad võivad küljest kukkuda ja vigastusi tekitada.
- ▶ Kui saetera kinni kiilub või katkestate töö, lülitage saag alati välja ja hoidke seda paigal seni, kuni saetera on täielikult seiskunud. Ärge kunagi püüdke pöörleva saeteraga saagi toorikust eemaldada või tagasi tõmmata – võib tekkida tagasilööki!
- ▶ Kui soovite tooriku sees oleva saeteraga saagi taaskäivitada, tsentreerige saetera lõikejälje sees ja veenduge, et saehambad ei ole toorikusse haakunud.
- ▶ Olge eriti ettevaatlik seinälõigete tegemisel või teistesse varjatud piirkondadesse lõikamisel. Sukeldatav saetera võib varjatud esemetesse kinni kiiluda ja põhjustada tagasilööki.
- ▶ Tehke tihti pause ja sirutage sõrmi, et parandada verevarustust. Pikemaajalisel töötamisel võib tugev vibratsioon tekitada häireid sõrmede, käte või randmeliigeste veresoonte ja närvisüsteemi toimimises.
- ▶ Ärge vaadake otse seadme valgusallikasse (LED) ja ärge suunake tuld teistele inimestele otse silma. Esineb pimestamise oht.
- ▶ Enne saagimise alustamist veenduge, et saelint on korrektselt paigaldatud. Valesti paigaldatud saelint võib kinni kiiluda ja põhjustada tagasilöögi.
- ▶ Allakukkuvatest tarvikutest või lisaseadistest tingitud vigastuste oht. Enne töö alustamist veenduge, et aku ja paigaldatud tarvik on kindlalt kinnitatud.

### **Elektriohutus**

- ▶ Enne töö algust kontrollige tööpiirkond üle ja veenduge, et seal ei ole varjatud elektrijuhtmeid, gaasi- ega veetorusid. Pingestatud elektrijuhtme, gaasi- või veetoru vigastamine korral võivad seadme välised metallosad sattuda põhjustada plahvatuse või elektrilöögi.
- ▶ Enne torujuhtmete läbilõikamist (näiteks lammutus- ja paigaldustööde tegemisel) veenduge, et torudes ei ole vedelikku, ja vajaduse korral laske vedelik välja. Hoidke torujuhtmete läbilõikamisel seadet lõigatavast torust kõrgemal. Toode ei ole sisetungiva niiskuse eest kaitstud.

### **Elektritööriistade hoolikas käsitlemine ja kasutamine**

- ▶ Kasutage üksnes ettenähtud suurusega saelinte.
- ▶ Ärge kasutage nürisid ega kahjustatud saelinte. Need põhjustavad saelindi suurema hõõrdumise, kinnikiilumise või tagasilöögi.
- ▶ Järgige tootja juhiseid saelintide käsitlemise ja säilitamise suhtes.



## 2.4 Akude hoolikas käsitlemine ja kasutamine

- ▶ **Järgige liitiumioonakude ohutu käsitlemise ja kasutamise kohta esitatud juhiseid.** Eiramine võib tekitada nahaärrituse, söövituse, keemilise põletuse, tulekahju ja/või põhjustada plahvatuse.
- ▶ Kasutage akusid ainult siis, kui nende tehniline seisukord on veatu.
- ▶ Käsitlege akusid ettevaatlikult, et vältida kahjustusi ja tervist kahjustavate vedelike lekkimist!
- ▶ Akusid ei tohi mingil juhul muuta ega ümber ehitada!
- ▶ Akusid ei tohi lahti võtta, muljuda, kuumutada üle 80 °C (176 °F) ega ära põletada.
- ▶ Ärge kasutage ega laadige akusid, mis on saanud löögi või muul viisil kahjustada. Kontrollige regulaarselt akusid kahjustuste suhtes.
- ▶ Ärge kasutage kunagi ringlusse võetud või remonditud akusid.
- ▶ Ärge kunagi kasutage akut või akutoitega elektritööriista löögitarvikuna.
- ▶ Ärge jätke akut kunagi otsese päikesekiirguse, kuumuse, sädemete või lahtise leegi kätte. See võib põhjustada plahvatuse.
- ▶ Ärge puudutage aku pooluseid sõrmede, tööriistade, ehete või muude metallesemetega. See võib akut kahjustada, samuti tekitada varalist kahju ja kehavigastusi.
- ▶ Hoidke akusid eemal vihmast, niiskusest ja vedelikest. Sissetungiv niiskus võib põhjustada lühist, elektrilööki, põletust, tulekahju ja plahvatust.
- ▶ Kasutage üksnes aku tüübile vastavaid laadijaid ja elektritööriistu. Juhinduge asjaomastes kasutusjuhendites esitatud andmetest.
- ▶ Ärge kasutage ega hoiustage akut plahvatusohtlikus keskkonnas.
- ▶ Kui aku on nii kuum, et seda ei saa puudutada, võib aku olla defektne. Asetage aku nähtavasse tulekindlasse kohta, mis on süttivatest materjalidest piisavaltkaugel. Laske akul jahtuda. Kui aku on ühe tunni pärast ikka veel liiga kuum, et seda puudutada saaks, siis on aku defektne. Pöörduge **Hilti** hooldekeskusesse või lugege läbi dokument "Juhised **Hilti** liitiumioonakude ohutu käsitlemise ja kasutamise kohta".



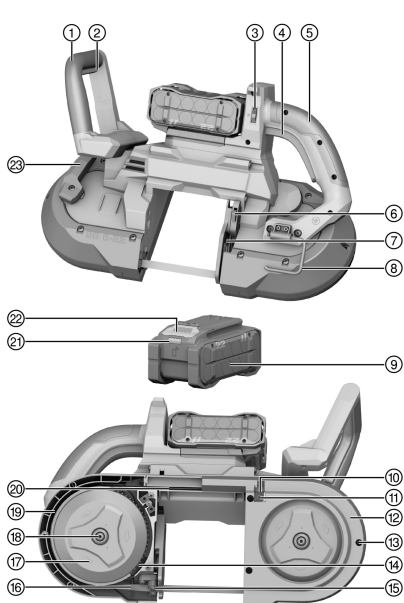
Järgige liitiumioonakude transpordi, ladustamise ja käsitlemise kohta esitatud erijuhiseid.  
→ Lehekülg 125

Lugege läbi **Hilti** liitiumioonakude ohutu käsitlemise ja kasutamise juhised, mis avanevad käesoleva kasutusjuhendi lõpus oleva QR-koodi skannimisel.



### 3 Kirjeldus

#### 3.1 Toote ülevaade



- ① Kaitselülitiga käepide
- ② Kaitselüliti
- ③ Pöörete lüliti
- ④ Juhtlüliti
- ⑤ Juhtlülitiga käepide
- ⑥ Lõikejuhiku lukustus
- ⑦ Lõikejuhik
- ⑧ Tellingukonks
- ⑨ aku
- ⑩ Kandurplaat
- ⑪ Kandurplaadi kruvi
- ⑫ Saelindi kate
- ⑬ Saelindi katte kruvi
- ⑭ Juhtsooned
- ⑮ Saelindi juhik
- ⑯ Saelint
- ⑰ Rullik
- ⑱ Rulliku kinnitus
- ⑲ Kummirõngas
- ⑳ Saelindi juhtsoon
- ㉑ Aku oleku indikaator
- ㉒ Aku lukust avamise nupp
- ㉓ Saelindi kinnitushoob

#### 3.2 Nõuetekohane kasutamine

Kirjeldatud toode on akutoitega lintsaag. See on ette nähtud metalli ja plasti lõikamiseks.

Toote kasutamisel tuleb seda hoida mõlema käega.

- Kasutage toote jaoks ainult **Hilti** Nuron B 22 seeria liitiumioonakusid. Optimaalse võimsuse tagamiseks soovib **Hilti** kasutada toodet tabelis loetletud akudega.
- Kasutage akude laadimiseks ainult siinses tabelis toodud **Hilti** laadijaid.

#### 3.3 Tarekomplekt

Lintsaag, kasutusjuhend

Muud süsteemitooted leiata müügiesindusest **Hilti Store** või veebisaidilt: [www.hilti.group](http://www.hilti.group)

#### 3.4 Liitiumioonaku kuvamine

**Hilti** Nuron liitiumioonakud saavad näidata laetuse astet, anda veateateid ja näidata aku olekut.

##### 3.4.1 Laetuse astme ja veateadete kuvamine



#### HOIATUS

**Vigastuste oht allakukkuva aku tõttu!**

- ▶ Kui aku on paigaldatud, tehke vabastuslukkule vajutamisega kindlaks, et aku on kasutatavasse tootesse õigesti sisse pandud.

Selleks et kuvada ühte järgmistest näitudest, vajutage korraks aku vabastusnupule.

Laetuse astet ning võimalikke tõrkeid kuvatakse pidevalt seni, kuni ühendatud seade on sisse lülitatud.

Seisund	Tähendus
Neli (4) LED-tuld põlevad pideva rohelise tulega	Laetuse aste: 100 % kuni 71 %
Kolm (3) LED-tuld põlevad pideva rohelise tulega	Laetuse aste: 70 % kuni 51 %



Seisund	Tähendus
Kaks (2) LED-tuld põlevad pideva rohelise tulega	Laetuse aste: 50 % kuni 26 %
Üks (1) LED-tuli põleb pideva rohelise tulega	Laetuse aste: 25 % kuni 10 %
Üks (1) LED-tuli vilgub aeglaselt rohelise tulega	Laetuse aste: < 10 %
Üks (1) LED-tuli vilgub aeglaselt rohelise tulega	Liitiumioonaku on täielikult tühjenenud. Laadige akut. Kui LED-tuled pärast laadimist ikka veel kiiresti vilguvad, pöörduge <b>Hilti</b> hooldekeskusse.
Üks (1) LED-tuli vilgub kiiresti kollase tulega	Liitiumioonaku ja sellega ühendatud seade on üle koormatud, liiga külmad või liiga kuumad või on tegemist muu veaga. Viige seade ja aku soovitatud töötemperatuurile ja ärge avaldage tootele ülekoormust. Kui teade ei kao, pöörduge <b>Hilti</b> hooldekeskusse.
Üks (1) LED-tuli põleb kollase tulega	Liitiumioonaku ja sellega seotud toode ei ühildu. Palun pöörduge <b>Hilti</b> hooldekeskusse.
Üks (1) LED-tuli vilgub kiiresti punase tulega	Liitiumioonaku on lukustatud ja seda ei saa kasutada. Palun pöörduge <b>Hilti</b> hooldekeskusse.

### 3.4.2 Akude oleku kuvamine

Aku seisundi teadaasaamiseks hoidke vabastusklahvi all kauem kui kolm sekundit. Süsteem ei tuvasta võimalikku aku tõrget, mis on tingitud valest käsitlemisest, nt kukkumisest, torgetest, suurest kuumusest vms.

Seisund	Tähendus
Kõik LED-tuled süttivad pideva tulena ja seejärel põleb (1) LED-tuli pidevalt rohelise tulega.	Akut võib jätkuvalt kasutada.
Kõik LED-tuled süttivad pideva tulena (1) ja LED-tuli vilgub kiiresti kollase tulega.	Aku oleku kohta esitatud päringut ei saanud lõpetada. Korraake protsessi või pöörduge <b>Hilti</b> hooldekeskusse.
Kõik LED-tuled süttivad pideva tulena ja seejärel põleb (1) ja LED-tuli pideva punase tulega.	Kui ühendatud seadet saab jätkuvalt kasutada, on aku allesjäänud mahtuvus alla 50%. Kui ühendatud seadet ei saa enam kasutada, on aku kasutusressurs ammendunud ja aku tuleb välja vahetada. Palun pöörduge <b>Hilti</b> hooldekeskusse.

## 4 Tehnilised andmed

Kaal vastavalt EPTA Procedure 01 ilma akuta	6,5 kg
Nimipinge	21,6 V
Tühikäigupöörded	150 m/min
Max löikesügavus	127 mm
Toote mõõtmed (Pikkus x laius x kõrgus)	525 mm x 175 mm x 375 mm
Saelindi mõõtmed (Pikkus x laius x paksus)	1 140 mm x 12,4 mm x 0,5 mm
Ümbritseva keskkonna temperatuur töötamise ajal	-17 °C ... 60 °C
Hoiutemperatuur	-20 °C ... 70 °C

### 4.1 Aku

Aku tööpinge	21,6 V
Aku kaal	Vt kasutusjuhendi lõpp
Ümbritseva keskkonna temperatuur töötamise ajal	-17 °C ... 60 °C
Hoiutemperatuur	-20 °C ... 40 °C
Aku temperatuur laadimise alguses	-10 °C ... 45 °C



## 4.2 Andmed müra ja vibratsiooni kohta vastavalt standardile EN 60745

Käesolevas kasutusjuhendis toodud helirõhu- ja vibratsioonitase on mõõdetud standarditud mõõtemeetodil ning asjaomaseid näitajaid saab kasutada elektriliste tööriistade võrdlemiseks. Need sobivad ka müra- ja vibratsioonitaseme esialgseks hindamiseks. Toodud näitajad iseloomustavad elektrilise tööriista põhilisi ettenähtud töid. Kui aga elektrilist tööriista kasutatakse muul otstarbel, teiste tarvikutega või kui tööriista on ebapiisavalt hooldatud, võivad näitajad käesolevas juhendis toodud näitajatest kõrvale kalduda. See võib vibratsiooni- ja mürataset töötamise koguperioodil tunduvalt suurendada. Müra- ja vibratsioonitaseme täpseks hindamiseks tuleb arvesse võtta ka aega, mil tööriist oli välja lülitatud või küll sisse lülitatud, kuid tege-likult tööle rakendamata. See võib vibratsiooni- ja mürataset töötamise koguperioodil tunduvalt vähendada. Seadme kasutaja kaitsmiseks müra ja/või vibratsiooni eest rakendage täiendavaid kaitseabinõusid, näiteks: hooldage seadet ja tarvikuid korralikult, hoidke käed soojad, tagage sujuv töökorraldus.

### Mürateave

Helivõimsustase ( $L_{WA}$ )	86 dB(A)
Müravõimsustaseme mõõtemääramatus ( $K_{WA}$ )	3 dB(A)
Helirõhutase ( $L_{pA}$ )	75 dB(A)
Helirõhutaseme mõõtemääramatus ( $K_{pA}$ )	3 dB(A)

### Vibratsioonitase

Vibratsioonitase metalli löikamisel (ah,CM)	B 22-55	0,8 m/s <sup>2</sup>
	B 22-255	0,7 m/s <sup>2</sup>
Mõõtemääramatus (K)		1,5 m/s <sup>2</sup>

## 5 Töö ettevalmistamine

### HOIATUS

#### Vigastuste oht soovimatu käivitamise tõttu!

- ▶ Enne aku paigaldamist veenduge, et selle juurde kuuluv seade on välja lülitatud.
- ▶ Enne seadme seadistamist ja tarvikute vahetamist eemaldage seadmest aku.

Järgige kasutusjuhendis esitatud ja tootele märgitud ohutusnõudeid ja hoiatusi.

### 5.1 Aku laadimine

1. Enne laadimist lugege laadimiseadme kasutusjuhendit.
2. Veenduge, et aku ja laadimiseadme kontaktid on puhtad ja kuivad.
3. Laadige akut selleks ettenähtud laadimiseadmega. → Lehekülj 118

### 5.2 Aku paigaldamine

### HOIATUS

#### Vigastuste oht lühise või allakukkunud aku tõttu!

- ▶ Enne aku paigaldamist veenduge, et aku ja seadme kontaktidel ei ole võõrkehaid.
- ▶ Veenduge, et aku fikseerub alati korrektselt kohale.

1. Enne esmakordset kasutamist laadige aku täiesti täis.
2. Lükake aku seadmesse, kuni see kuuldavalt kohale fikseerub.
3. Kontrollige aku kindlat kinnitumist.

### 5.3 Aku eemaldamine

1. Vajutage aku vabastusnupule.
2. Tõmmake aku seadmest välja.



## 5.4 Saelindi vahetamine

### HOIATUS

**Vigastusohht saelindi tõttu.** Saelint võib olla kuum ja/või teravate servadega ning teatavil tingimustel rebeneda.

- ▶ Kandke töötamisel ja saelindi vahetamisel kaitsekindaid ja kaitseprille.
- ▶ Kasutage lintsaagi ainult korrektselt paigaldatud saelindi kattega.
- ▶ Ärge asetage kasutatud lintsaagi kunagi tuleohtlikule aluspinnale.

### TÄHELEPANU

**Varaline kahju vale saelindi tõttu.** Vale saelint võib põhjustada materjali enneaegset väsimist ja lintsaie kahjustusi.

- ▶ Valige lintsaie ja materjali jaoks õige saelint.
- ▶ Valige saetava materjali jaoks õige hambasammuga (hambaid tolli kohta) saelint: suurem hambasamm kõvadele/õhukestele materjalidele; madalam hambasamm pehmetele/paksudele materjalidele.
- ▶ Kasutage ainult 0,5 mm paksusi saelinte. Paksemad saelindid põhjustavad suurema paindekoormuse ja saehammaste kiirema kulumise.
- ▶ Valige saelint nii, toorikule toetuks vähemalt kaks hammast.
- ▶ Kasutage ainult saelinte mõõtmetega 1140 mm × 12,5 mm × 0,5 mm.

1. Vabastage mõlema saelindi katte kruvid.
2. Eemaldage mõlemad saelindi katted.
3. Keerake kinnitushoob lõpuni.
  - ▶ Saelint vabastatakse.
4. Eemaldage vana saelint juhikust ja käidelize saelint.
5. Asetage uus saelint saelindi juhikusse.
6. Juhtige uus saelint ümber rullide.
7. Asetage uus saelint saelindi juhtsoonde.
8. Kontrollige saelindi õiget paigaldust.
9. Keerake kinnitushoob lõpuni.
  - ▶ Saelint pingutatakse.
10. Paigaldage tagasi mõlemad saelindi katted.
11. Pingutage mõlema saelindi katte kruvid.

## 5.5 Lukustusklamber

### HOIATUS

**Vigastuste oht** tingitud allakukkuvast tööriistast ja/või tarvikust!

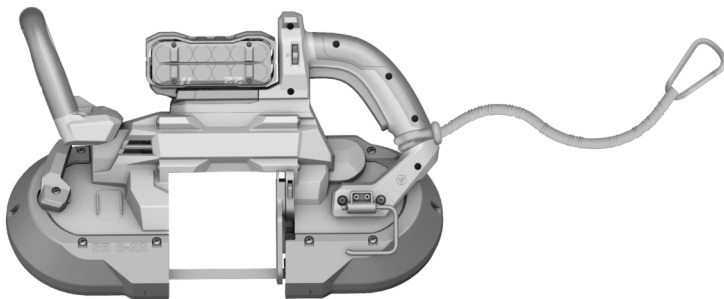
- ▶ Toote jaoks kasutage üksnes soovitatud **Hilti** tööriistarossi.
- ▶ Iga kord enne kasutamist kontrollige, et tarvikuhoidetrossi kinnituspunkt ei ole kahjustada saanud.



Järgige riigis kehtivaid eeskirju kõrgustes töötamise kohta.

Selle toote puhul kasutage kukkumiskaitsena üksnes **Hilti** tööriistarossi #2261971.





- ▶ Kinnitage tööriistatross klambriga seadme külge, nagu näidatud joonisel. Kontrollige kindlat kinnitumist.
- ▶ Kinnitage karabiinikonks kandva konstruktsiooni külge. Kontrollige karabiinikonksu kindlat kinnitumist.



Järgige Hilti tööriistatrossi kasutusjuhendit.

## 6 Käsitsemine

Järgige kasutusjuhendis esitatud ja tootele märgitud ohutusnõudeid ja hoiatusi.

### 6.1 Lõikejuhiku reguleerimine

1. Vajutage ja hoidke lõikejuhiku lukustust.
2. Lükake lõikejuhik soovitud kõrgusele.
3. Vabastage lõikejuhiku lukustus.

### 6.2 Saagimine

#### HOIATUS

**Vigastuste oht** lintsae tagasilöögi tõttu.

- ▶ Kinnitage toorik enne saagimist nt kruustangidega.
- ▶ Joondage lintsaa ja toorik teineteise suhtes välja.

#### HOIATUS

**Vigastuste oht** tingitud järelepöörlevast saest.

- ▶ Tõstke seade toorikult alles siis, kui seade on täielikult seiskunud.
- ▶ Enne käestpanekut oodake, kuni tööriist on täielikult seiskunud.

#### HOIATUS

**Vigastusoht saelindi tõttu.** Saelint võib olla kuum ja/või teravate servadega ning teatavil tingimustel rebeneda.

- ▶ Kandke töötamisel ja saelindi vahetamisel kaitsekindaid ja kaitseprille.
- ▶ Kasutage lintsaaigi ainult korrektselt paigaldatud saelindi kattega.
- ▶ Ärge asetage kasutatud lintsaaigi kunagi tuleohtlikule aluspinnale.





## ⚠ TÄHELEPANU

**Varaline kahju vale saelindi tõttu.** Vale saelint võib põhjustada materjali enneaegset väsimist ja lintsaekahjustusi.

- ▶ Valige lintsaek ja materjali jaoks õige saelint.
- ▶ Valige saetava materjali jaoks õige hambasammuga (hambaid tolli kohta) saelint: suurem hambasamm kõvadale/õhukestele materjalidele; madalam hambasamm pehmetele/paksudele materjalidele.
- ▶ Kasutage ainult 0,5 mm paksusi saelinte. Paksemad saelindid põhjustavad suurema paindekoormuse ja saehammaste kiirema kulumise.
- ▶ Valige saelint nii, toorikule toetuks vähemalt kaks hammast.
- ▶ Kasutage ainult saelinte mõõtmetega 1140 mm × 12,5 mm × 0,5 mm.

Kontrollige kummirõngast korrapäraselt kahjustuste suhtes.

Lintsaek tööea pikendamiseks puhastage pärast iga tööprotsessi saelindi katted ja löikejuhk tolmust ja laastudest.



Lintsaek käivitamiseks peate: vajutama esmalt juht- ja seejärel kaitselüliti ning neid samaaegselt all hoidma.



Lintsaek omakaal on löike teostamiseks piisav. Ärge suruge lintsaek täiendavalt.

1. Vajadusel vahetage kummirõngas. → Lehekülg 124
2. Vajadusel vahetage saelint. → Lehekülg 121
3. Vajutage juhtüliti ja hoidke seda all.
4. Vajutage ja hoidke turvalüliti all.
5. Asetage lintsaag toorikule nii, et toorikule toetuks võimalikult palju saehambaid.
6. Teostage saagimine.



Juhtige lintsaagi nii, et võimalusel oleks löikes alati kolm saehammast.

7. Vabastage juhtüliti.

## 7 Hooldus ja korrashoid



### HOIATUS

**Vigastuste oht paigaldatud aku korral !**

- ▶ Enne mis tahes hooldus- ja korrashoiutöid eemaldage seadmest aku!

### Toote hooldus

- Kõvasti kinni olev mustus eemaldage ettevaatlikult.
- Ventilatsiooniavasid puhastage ettevaatlikult kuiva, pehme harjaga.
- Puhastage korpust ainult veidi niiske lapiga. Ärge kasutage silikooni sisaldavaid hooldusvahendeid, sest need võivad kahjustada seadme plast detaile.
- Seadme kontaktide puhastamiseks kasutage puhast kuiva lappi.

### Liitium-ioonakude hooldus

- Ärge kunagi kasutage akut, mille ventilatsiooniavad on ummistunud. Puhastage ventilatsiooniavasid ettevaatlikult kuiva, pehme harjaga.
- Kaitske akut tolmu ja mustuse eest. Ärge jätke akut kunagi suure niiskuse kätte (ärge asetage seda vette ja ärge jätke vihma kätte).  
Kui aku on märjaks saanud, siis käsitlege seda nii, nagu oleks see kahjustatud. Isoleerige aku tulekindlas anumast ja pöörduge **Hilti** hooldekeskusesse.
- Hoidke aku puhas õlist ja rasvast. Vältige akusse asjatult tolmu ja mustuse kogunemist. Puhastage akut kuiva pehme harjaga või puhta kuiva lapiga. Ärge kasutage silikooni sisaldavaid hooldusvahendeid, sest need võivad kahjustada seadme plast detaile.  
Ärge puudutage aku kontakte ja ärge eemaldage kontaktidelt tehases peale kantud mäaret.



- Puhastage korpust ainult veidi niiske lapiga. Ärge kasutage silikooni sisaldavaid hooldusvahendeid, sest need võivad kahjustada seadme plastdetaila.

### Korrashoid

- Kontrollige regulaarselt, kas kõik nähtavad osad on terved ja juhtelemendid töötavad veatult.
- Ärge kasutage seadet kahjustuste ja/või tõrgete korral. Laske seade kohe parandada **Hilti** hooldekeskuses.
- Pärast hooldus- ja korrashoiutöid paigaldage kõik kaitseseadised ja kontrollige, kas need töötavad veatult.



Ohutu töö tagamiseks kasutage ainult originaalvaruosi ja -materjale. **Hilti** heakskiidetud varuosad, materjalid ja lisatarvikud oma tootele leiate müügiesindusest **Hilti Store** või veebilehelt: [www.hilti.group](http://www.hilti.group)

## 7.1 Saelindi kate vahetamine



Vahetage saelindi kate niipea, kui tuvastate kahjustusi.

1. Vabastage saelindi kate kruvid.
2. Eemaldage ja käideldge kahjustatud saelindi kate.
3. Asetage uus saelindi kate liintsaele.
4. Pingutage saelindi kate kruvid pingutusmomendile 2 kuni 3 Nm.

## 7.2 Kummirõnga vahetamine



Vahetage kummirõngas niipea, kui tuvastate kahjustusi.

1. Eemaldage saelint → Lehekülg 121.
2. Eemaldage kummirõngas.
3. Veenduge, et juhtsooned on puhtad, ja vajaduse korral puhastage need.
4. Pingutage uus kummirõngas saelindi rullile.
5. Joondage kummirõngast seni, kuni see täielikult juhtsoontesse lukustub.
6. Paigaldage saelint tagasi → Lehekülg 121.

## 7.3 Saelindi juhiku vahetamine



Vahetage saelindi juhik niipea, kui tuvastate kahjustusi, nt kui saelint on jätnud sellesse sissefreesitud soone.

1. Eemaldage saelint → Lehekülg 121.
2. Vabastage mõlemad saelindi juhiku kruvid.
3. Eemaldage kahjustatud saelindi juhik liintsaele ja käideldge saelindi juhik.
4. Asetage uus saelindi juhik liintsaaagi.
5. Pingutage mõlemad saelindi juhiku kruvid pingutusmomendile 2 kuni 3 Nm.
6. Paigaldage saelint tagasi → Lehekülg 121.

## 7.4 Kandurplaadi vahetamine



Vahetage kandurplaat niipea, kui saelint seda tabab või takerdub.

1. Eemaldage saelint → Lehekülg 121.
2. Vabastage kandurplaadi kruvi.
3. Eemaldage kahjustatud kandurplaat liintsaele ja käideldge kandurplaat.
4. Asetage uus kandurplaat liintsaaagi.
5. Pingutage kandurplaadi kruvi pingutusmomendile 2 kuni 3 Nm.
6. Paigaldage saelint tagasi → Lehekülg 121.



## 8 Akutööriistade ja akude transport ja ladustamine

### Transport

#### ETTEVAATUST

#### Soovimatu käivitumine transportimisel !

- ▶ Transportige tooteid ilma akudeta!
- ▶ Eemaldage aku/akud.
- ▶ Ärge kunagi transportige akusid lahtiselt. Enne aku transportimist tuleb aku pakendada nii, et see oleks kaitsitud löökide ja vibratsiooni eest ning isoleeritud kõikidest elektrit juhtivatest materjalidest või teistest akudest, et vältida kokkupuudet teise aku poolustega ning lühise teket. **Järgige akude transpordi suhtes kehtivaid riigisiseseid nõudeid.**
- ▶ Akusid ei tohi saata posti teel. Kahjustamata akude saatmiseks pöörduge logistikaettevõtja poole.
- ▶ Iga kord enne kasutamist ning enne ja pärast pikemat transporti või hoiustamist kontrollige seadet ja akusid vigastuste suhtes.

### Hoiustamine

#### HOIATUS

#### Defektsed akud või lekkivad akud võivad tekitada vigastusi !

- ▶ Kasutusvälisel ajal eemaldage seadmest aku!
- ▶ Hoidke seadet ja akusid jahedas ja kuivas kohas. Pidage kinni tehnilistes andmetes toodud temperatuuripiirangutest.
- ▶ Ärge hoidke akusid laadimisseadmes. Pärast laadimist eemaldage aku laadimisseadmest.
- ▶ Ärge hoidke akusid päikese käes, radiaatori peal või klaasi taga.
- ▶ Hoidke seadet ja akusid lastele ja kõrvalistele isikutele ligipääsmatus kohas.
- ▶ Iga kord enne kasutamist ning enne ja pärast pikemaajalist seismist kontrollige seadet ja akusid kahjustuste suhtes.

## 9 Rikkeabi

Järgige kõigi tõrgete korral aku olekunäidikut. Vt ptk **Li-ioon-aku näidud**.

Rikete korral, mis tabelis ei kajastu või mida Te ise kõrvaldada ei oska, pöörduge **Hilti** teeninduskeskusse.

Tõrge	Võimalik põhjus	Lahendus
Seade ei tööta täisvõimsusel.	Juhtlüliti ei ole lõpuni sisse vajutatud.	▶ Vajutage juhtlüliti lõpuni alla.
Seadet ei ole võimalik sisse lülitada.	Sisselülitustõkisele ei ole vajutatud.	▶ Vajutage sisselülitustõkisele.
Seade ei käivitu.	Saelint blokeeritud	▶ Kontrollige, kas saelint on õigesti paigaldatud ja/või on kahjustatud.
Aku LED-tuled on kustunud	Aku on defektne	▶ Pöörduge <b>Hilti</b> hooldekeskusse.

## 10 Utiliseerimine

#### HOIATUS

**Valest käitlemisest tingitud vigastuste oht!** Eralduvad gaasid või vedelikud on terviseohtlikud.

- ▶ Ärge saatke kahjustada saanud akusid posti teel!
- ▶ Lühise vältimiseks katke akukontaktid elektrit mittejuhtiva materjaliga.
- ▶ Käideldelge akusid nii, et need ei satu laste kätte.
- ▶ Utiliseerige aku **Hilti Store** esinduses või pöörduge asjaomase jäätmekäitlusettevõtte poole.

Enamik **Hilti** seadmete valmistamisel kasutatud materjalidest on taaskasutatavad. Taaskasutuse eelduseks on materjalide korralik sorteerimine. Paljudes riikides kogub **Hilti** kasutusressursi ammendanud seadmed kokku. Lisateavet saate **Hilti** müügiesindusest.



- ▶ Ärge visake kasutusressursi ammendanud elektrilisi tööriistu, elektroonikaseadmeid ja akusid olmejäätmete hulka!



## 11 Tootja garantii

- ▶ Garantiitingimusi puudutavates küsimustes pöörduge oma kohaliku **Hilti** partneri poole.

## 12 Lisateave

Lisateavet käsitemise, tehnika, keskkonna ja übertöötuse kohta leiate lingilt: [qr.hilti.com/manual/?id=2354065&id=2354067](http://qr.hilti.com/manual/?id=2354065&id=2354067)

See link sisaldub ka käesoleva kasutusjuhendi lõpus QR-koodina.

# Originaalne lietošanas instrukcija

## 1 Informācija par lietošanas instrukciju

### 1.1 Par šo lietošanas instrukciju

- Pirms ekspluatācijas sākšanas obligāti izlasiet šo lietošanas instrukciju. Tas ir priekšnoteikums darba drošībai un izstrādājuma lietošanai bez traucējumiem.
- Ievērojiet drošības norādījumus un brīdinājumus, kas atrodami šajā lietošanas instrukcijā un uz izstrādājuma.
- Vienmēr glabājiet lietošanas instrukciju izstrādājuma tuvumā un, nododot izstrādājumu citai personai, vienmēr dotiet līdzi šo lietošanas instrukciju.

### 1.2 Apzīmējumu skaidrojums

#### 1.2.1 Brīdinājumi

Brīdinājumi pievērš uzmanību bīstamībai, kas pastāv, strādājot ar izstrādājumu. Tiek lietoti šādi signālvārdi:

 **BĪSTAMI!**

**BĪSTAMI!**

- ▶ Pievērš uzmanību draudošām briesmām, kas var izraisīt smagus miesas bojājumus vai nāvi.

 **BRĪDINĀJUMS!**

**BRĪDINĀJUMS!**

- ▶ Pievērš uzmanību iespējamam apdraudējumam, kas var izraisīt smagas traumas vai pat nāvi.





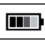

 **IEVĒROT PIESARDZĪBU!**

**UZMANĪBU!**

- ▶ Norāda uz iespējami bīstamām situācijām, kas var izraisīt traumas vai materiālos zaudējumus.

#### 1.2.2 Simboli lietošanas instrukcijā

Šajā lietošanas instrukcijā tiek izmantoti šādi simboli:

	Ievērojiet lietošanas instrukciju
	Norādījumi par lietošanu un cita noderīga informācija
	Rīcība ar atreiz pārstrādājamiem materiāliem
	Neizmetiet elektroiekārtas un akumulatorus sadzīves atkritumos.
	<b>Hilti</b> Litija jonu akumulators
	<b>Hilti</b> Lādētājs

#### 1.2.3 Attēlos lietotie simboli

Attēlos tiek lietoti šādi simboli:



<b>2</b>	Šie skaitļi norāda uz attiecīgajiem attēliem, kas atrodami šīs lietošanas instrukcijas sākumā.
3	Numerācija attēlos atbilst veicamo darbību secībai un var atšķirties no darbību apraksta tekstā.
<b>11</b>	Pozīciju numuri tiek lietoti attēlā <b>Pārskats</b> un norāda uz leģendas numuriem sadaļā <b>Izstrādājuma pārskats</b> .
	Šī simbola uzdevums ir pievērst īpašu uzmanību izstrādājuma lietošanas laikā.

### 1.3 Simboli atkarībā no izstrādājuma

#### 1.3.1 Simboli uz izstrādājuma

Uz izstrādājuma var tikt lietoti šādi simboli:

	Līdzstrāva
	Rotācijas virziena bultiņa
	Izstrādājums atbalsta tehnoloģiju NFC, kas ir saderīga ar iOS un Android platformām.
Li-Ion	Litija jonu akumulators
	Nekādā gadījumā nesietiet pa akumulatoru ne ar kādiem priekšmetiem un nelietojiet akumulatoru kā instrumentu sišanai.
	Sargājiet akumulatoru no kritieniem. Nelietojiet akumulatoru, ja tas ir bijis pakļauts triecienam vai tam ir radušies cita veida bojājumi.

#### 1.4 Izstrādājuma informācija

**HILTI** izstrādājumi ir paredzēti profesionāliem lietotājiem, un to darbināšanu, apkopi un tehniskā stāvokļa uzturēšanu drīkst veikt tikai kvalificēts, atbilstīgi apmācīts personāls. Personālam ir jābūt labi informētam par iespējamajiem riskiem, kas var rasties darba laikā. Izstrādājums un tā papildaprīkojums var radīt bīstamas situācijas, ja to uztic neprofesionālam personālam vai nelieto atbilstīgi nosacījumiem. Iekārtas tipa apzīmējums un sērijas numurs ir norādīti uz identifikācijas datu plāksnītes.

- ▶ Ierakstiet sērijas numuru zemāk redzamajā tabulā. Izstrādājuma dati jānorāda, vērsoties mūsu pārstāvnīcībā vai servisā.

##### Izstrādājuma dati

Lentzāģis ar akumulatoru	SB 6-22
Paaudze	01
Sērijas Nr.	

#### 1.5 Atbilstības deklarācija

Ražotājs, uzņemoties pilnu atbildību, apliecinā, ka šeit aprakstītais izstrādājums atbilst spēkā esošo tiesību aktu un standartu prasībām. Atbilstības deklarācijas attēls ir atrodams šīs dokumentācijas beigās.

Tehnisko dokumentāciju glabā:

Hilti Entwicklungsgesellschaft mbH | Zulassung Geräte | Hiltistraße 6 | 86916 Kaufering, DE

## 2 Drošība

### 2.1 Vispārīgi drošības norādījumi par darbu ar elektroiekārtām

**⚠ BRĪDINĀJUMS!** Iepazīstieties ar visiem drošības norādījumiem, instrukcijām, attēliem un tehniskajiem parametriem, kas attiecas uz šo elektroiekārtu. Turpmāk izklāstīto instrukciju neievērošana var izraisīt elektrošoku, ugunsgrēku un/vai nopietnas traumas.

**Saglabājiet visus drošības norādījumus un instrukcijas turpmākai lietošanai.**

Drošības norādījumos lietotais apzīmējums "elektroiekārta" attiecas uz iekārtām ar tīkla barošanu (ar barošanas kabeli) vai iekārtām ar barošanu no akumulatora (bez kabeļa).



### Drošība darba vietā

- ▶ **Uzturiet darba vietā tīrību un kārtību un nodrošiniet labu apgaismojumu.** Nekārtīgā darba vietā vai sliktā apgaismojumā var viegli notikt nelaimes gadījums.
- ▶ **Nestrādājiet ar elektroiekārtu sprādzienbīstamā vidē, kur atrodas uzliesmojoši šķidrums, gāzes vai putekļi.** Darbības laikā elektroiekārtas mēdz dzirkstēt, un tas var izraisīt viegli uzliesmojošu putekļu vai tvaiku aizdegšanos.
- ▶ **Lietojot elektroiekārtu, neļaujiet nepiederošām personām un jo īpaši bērniem tuvoties darba vietai.** Citu personu klātbūtne var novērst uzmanību, un tā rezultātā jūs varat zaudēt kontroli pār iekārtu.

### Elektrodrošība

- ▶ **Elektroiekārtas kontaktdakšai jāatbilst elektrotīkla kontaktligzdai. Kontaktdakšas konstrukciju nedrīkst nekādā veidā mainīt. Kopā ar elektroiekārtām, kurām ir aizsargzemējums, nedrīkst lietot adapteru spraudņus.** Neizmainītas konstrukcijas kontaktdakša, kas atbilst kontaktligzdai, ļauj samazināt elektrošoka risku.
- ▶ **Darba laikā nepieskarieties sazemētiem priekšmetiem, piemēram, caurulēm, radiatoriem, plītiem vai ledusskapjiem.** Pieskaroties sazemētām virsmām, pieaug risks saņemt elektrisko triecienu.
- ▶ **Nelietojiet elektroiekārtu lietus laikā, neturiet to mitrumā.** Mitrumam iekļūstot elektroiekārtā, pieaug risks saņemt elektrisko triecienu.
- ▶ **Nenesiet un nepakariniet elektroiekārtu aiz barošanas kabeļa un neraujiet aiz kabeļa, ja vēlaties atvienot iekārtu no elektrotīkla kontaktligzdas. Sargājiet barošanas kabeli no karstuma, eļļas, asām šķautnēm vai kustīgām detaļām.** Bojāts vai sapīņķerējis barošanas kabelis var kļūt par cēloni elektrošokam.
- ▶ **Darbinot elektroiekārtu ārpus telpām, izmantojiet tās pievienošanai vienīgi tādus pagarinātājkaabeļus, kas ir paredzēti lietošanai brīvā dabā.** Lietojot elektrokabeļus, kas ir piemērots darbam ārpus telpām, samazinās elektrošoka risks.
- ▶ **Ja elektroiekārtas izmantošana slapjā vidē ir obligāti nepieciešama, lietojiet bojājumstrāvas aizsargslēdzi.** Bojājumstrāvas aizsargslēdža lietošana samazina elektrošoka risku.

### Personiskā drošība

- ▶ **Strādājiet ar elektroiekārtu uzmanīgi, darba laikā saglabājiet paškontroli un rīkojieties saskaņā ar veselo saprātu. Ar elektroiekārtu nedrīkst strādāt personas, kas ir nogurušas vai atrodas narkotiku, alkohola vai medikamentu ietekmē.** Mirkļi neuzmanības, strādājot ar elektroiekārtu, var novest pie nopietnām traumām.
- ▶ **Izmantojiet individuālos aizsardzības līdzekļus un darba laikā vienmēr valkājiet aizsargbrilles.** Individuālo aizsardzības līdzekļu (putekļu aizsargmaskas, neslidošu apavu un aizsargķiveres vai ausu aizsargu) lietošana atbilstoši elektroiekārtas tipam un veicamā darba raksturam ļauj izvairīties no savainojumiem.
- ▶ **Nepieļaujiet iekārtas nekontrolētas ieslēgšanās iespēju. Pirms pievienošanas elektrotīklam, akumulatora ievietošanas, elektroiekārtas satveršanas vai pārvietošanas pārliecinieties, ka tā ir izslēgta.** Ja iekārtas pārvietošanas laikā pirksts atrodas uz slēdža vai ja ieslēgta iekārta tiek pievienota elektrotīklam, var notikt nelaimes gadījums.
- ▶ **Pirms elektroiekārtas ieslēgšanas jānoņem visi regulēšanas piederumi un uzgriežņu atslēgas.** Regulēšanas piederumi vai uzgriežņu atslēga, kas iekārtas ieslēgšanas brīdī atrodas iekārtā, var radīt traumas.
- ▶ **Izvairieties no nedabiskām pozām. Darba laikā vienmēr saglabājiet līdzsvaru un nodrošinieties pret paslīdēšanu.** Tas atvieglos elektroiekārtas vadību neparedzētās situācijās.
- ▶ **Izvēlieties darbam piemērotu apģērbu. Darba laikā nenēsājiet brīvi plandošas drēbes un rotaslietas. Netuviniet matus, apģērbu un aizsargcimdus iekārtas kustīgajām daļām.** Vaļīgas drēbes, rotaslietas un gari mati var iekerties iekārtas kustīgajās daļās.
- ▶ **Ja elektroiekārtas konstrukcija ļauj pievienot putekļu nosūcšanas vai savākšanas ierīci, sekojiet, lai tā būtu pievienota un tiktu darbināta pareizi.** Putekļu nosūcēja lietošana samazina putekļu kaitīgo ietekmi.
- ▶ **Nezaudējiet modrību un neatkāpieties no elektroiekārtu lietošanas drošības noteikumu ieviešanas arī tad, ja lietojat attiecīgo elektroiekārtu bieži un kārtīgi to pārzināt.** Neuzmanība vienā sekundes daļā var novest pie smagām traumām.

### Elektroiekārtas lietošana un apkope

- ▶ **Nepārslodojiet elektroiekārtu. Katram darbam izvēlieties piemērotu iekārtu.** Elektroiekārta darbosies labāk un drošāk pie nominālās slodzes.
- ▶ **Nelietojiet elektroiekārtu, ja ir bojāts tās slēdzis.** Elektroiekārta, ko nevar ieslēgt un izslēgt, ir bīstama un nekavējoties jānodod remontā.



- ▶ **Pirms iestatījumu veikšanas, aprikojuma daļu nomaiņas vai iekārtas novietošanas uzglabāšanā atvienojiet kontaktdakšu no elektrotīkla un/vai noņemiet noņemamo akumulatoru.** Šādi jūs novēršīsiet elektroiekārtas nejaušas ieslēgšanās risku.
- ▶ **Elektroiekārtu, kas netiek darbināta, uzglabājiet piemērotā vietā. Neļaujiet lietot iekārtu personām, kas nav iepazinušas ar tās funkcijām un izlasījušas šo lietošanas instrukciju.** Ja elektroiekārtu lieto nekompetentas personas, tas var apdraudēt cilvēku veselību.
- ▶ **Rūpīgi veiciet elektroiekārtu un to piederumu apkopi. Pārbaudiet, vai kustīgās daļas darbojas bez traucējumiem un neķeras un vai kāda no daļām nav saulzuta vai bojāta un tādējādi netraucē elektroiekārtas nevainojamu darbību. Raugieties, lai pirms iekārtas lietošanas tiktu nomainītas vai saremontētas bojātās daļas.** Daudzi nelaimes gadījumi notiek tāpēc, ka elektroiekārtām nav nodrošināta pareiza apkope.
- ▶ **Griezējinstrumentiem vienmēr jābūt uzasinātiem un tīriem.** Rūpīgi kopti griezējinstrumenti ar asām šķautnēm retāk iestrēgst un ir vieglāk vadāmi.
- ▶ **Lietojiet elektroiekārtu, piederumus, maināmos instrumentus utt. saskaņā ar šiem norādījumiem. Jāņem vērā arī konkrētie darba apstākļi un veicamās operācijas īpatnības.** Elektroiekārtu lietošana citiem mērķiem, nekā to ir paredzējis ražotājs, ir bīstama un var izraisīt neparedzamas sekas.
- ▶ **Raugieties, lai rokturu un satveršanas virsmas būtu sausas, tīras, nenotraipītas ar eļļu un smērvielām.** Ja rokturu vai satveršanas virsmas ir slidenas, nav iespējama droša elektroiekārtas vadība un kontrole neparedzamās situācijās.

#### **Ar akumulatoru darbināmas iekārtas lietošana un apkope**

- ▶ **Akumulatora uzlādei jālieto tikai ražotāja ieteiktie lādētāji.** Noteikta veida akumulatoriem paredzēts lādētājs kļūst ugunsbīstams, ja to izmanto ar cita veida akumulatoriem.
- ▶ **Izmantojiet elektroiekārtas barošanai tikai tai paredzētos akumulatorus.** Cita tipa akumulatoru lietošana var izraisīt iekārtas un/vai akumulatora aizdegšanos.
- ▶ **Laikā, kad akumulators ir atvienots no iekārtas, nepieļaujiet tā kontaktu saskaršanos ar saspraudēm, monētām, atslēgām, naglām, skrūvēm vai citiem nelieliem metāla priekšmetiem, kas varētu izraisīt īssavienojumu.** Ja starp akumulatora kontaktiem rodas īssavienojums, tas var sadegt vai kļūt par ugunsgrēka cēloni.
- ▶ **Nepareizi lietojot akumulatoru, no tā var izplūst šķidrums. Nepieļaujiet tā nokļūšanu uz ādas. Ja tas tomēr nejausi ir noticis, noskalojiet ar ūdeni. Ja šķidrums iekļūst acīs, izskalojiet acis un nekavējoties vērsieties pie ārsta.** No akumulatora izplūdušais šķidrums var izraisīt ādas kairinājumu vai apdegumus.
- ▶ **Nelietojiet bojātus vai modificētus akumulatorus.** Bojāti vai modificēti akumulatori var radīt neparedzamas situācijas un izraisīt ugunsgrēku, eksploziju vai traumas.
- ▶ **Nepakļaujiet akumulatoru uguns vai augstas temperatūras iedarbībai.** Uguns vai temperatūra virs 130 °C (265 °F) var izraisīt eksploziju.
- ▶ **Ievērojiet norādījumus par akumulatora lādēšanu un nekad nelādējiet akumulatoru vai ar akumulatoru darbināmo iekārtu ārpus lietošanas instrukcijā norādītā temperatūras diapazona.** Nepareiza lādēšana vai pieļaujamā temperatūras diapazona pārsniegšana var sabojāt akumulatoru un palielināt aizdegšanās risku.

#### **Serviss**

- ▶ **Uzdodiet elektroiekārtas remontu veikt tikai kvalificētam personālam, kas izmanto vienīgi oriģinālās rezerves daļas.** Tikai tā ir iespējams saglabāt iekārtas funkcionālo drošību.
- ▶ **Nekādā gadījumā neveiciet bojātu akumulatoru apkopi.** Jebkādas akumulatoru apkopes darbus drīkst veikt tikai ražotājs vai atbilstīgi pilnvarots klientu apkalpošanas dienests.

## **2.2 Drošības norādījumi darbam ar lentzāģiem**

- ▶ **Ja darba laikā pastāv iespēja, ka elektroiekārtā nostiprinātais instruments var nonākt saskarē ar apslēptiem elektriskajiem vadiem, vienmēr satveriet iekārtu aiz izolētajām rokturu virsmām.** Saskaroties ar spriegumam pieslēgtiem vadiem, spriegums tiek novadīts uz iekārtas metāla daļām, radot elektrošoka risku.

## **2.3 Papildnorādījumi par drošību**

- ▶ **Raugieties, lai jūsu rokas neatrastos zāģēšanas zonā vai zāģa lentes tiešā tuvumā. Ar otru roku turiet rokturi ar drošības slēdzi. Ja abas rokas ir satvērušas zāģi, tās zāģēšanas laikā nav iespējams savainot.**
- ▶ **Lietojiet izstrādājumu un tā papildaprikojumu tikai tad, ja tas ir nevainojamā stāvoklī.**
- ▶ **Nekādā gadījumā nemēģiniet ietekmēt izstrādājuma vai tā papildaprikojuma funkcijas vai to pārveidot.**
- ▶ **Ieslēdziet izstrādājumu tikai tad, kad tas ir novietots darba pozīcijā.**



- ▶ Izvairieties no saskares ar rotējošām daļām. Traumu risks!
- ▶ Ievērojiet piesardzību, paceļot un/vai pārnēsājot izstrādājumu, jo zāga lente ir asa un var izraisīt grieztas traumas vai materiālu kaitējumu.
- ▶ Izstrādājuma lietošanas laikā valkājiet aizsargbrilles, aizsargķiveri un dzirdes aizsarglīdzekļus.
- ▶ Instrumenta nomainīšanas laikā valkājiet aizsargcimdus. Saskare ar maināmo instrumentu var izraisīt grieztas traumas un apdegumus.
- ▶ Putekļi, kas rodas stipēšanas, griešanas un urbšanas laikā, var saturēt bīstamas ķīmikālijas. Daži piemēri: svins vai krāsas uz svina bāzes; kļieģeļi, betons un citi mūra materiāli, dabīgais akmens un citi silīkātus saturoši produkti; noteiktu veidu koksne, piemēram, skābardis, ozols un ķimiska apstrādāta koksne; azbests vai azbestu saturoši materiāli. Nosakiet ekspozīcijas līmeni, kam pakļauts iekārtas lietotājs un tuvumā esošās personas, vadoties pēc apstrādājamo materiālu bīstamības kategorijas. Veiciet nepieciešamos pasākumus, lai ekspozīcija nesasniegtu kaitīgu līmeni, piemēram, lietojiet putekļu nosūknēšanas sistēmu vai piemērotus elpceļu aizsardzības līdzekļus. Vispārīgā ekspozīcijas ierobežošanas pasākumi ir šādi:
  - ▶ darbs labi vēdināmās vietās,
  - ▶ izvairīšanās no ilgstošas saskares ar putekļiem,
  - ▶ putekļu novirzīšana projām no sejas un ķermeņa,
  - ▶ aizsargapģērba valkāšana un savārtītā apģērba mazgāšana ar ūdeni un ziepēm.
- ▶ Lai izvairītos no traumām, lietojiet lentzāgi tikai tad, kad ir pareizi uzstādīts zāga lentes pārsegs.
- ▶ Garenvirziena zāgēšanai vienmēr lietojiet atduri vai taisnu malas vadotni. Tādējādi tiks palielināta zāgējuma precizitāte un samazināts instrumenta iestrēgšanas risks.
- ▶ Nekādā gadījumā nemēģiniet pieturēt apstrādājamo materiālu ar roku vai kādu citu ķermeņa daļu. Nofiksējiet apstrādājamo materiālu stabilā stiprinājumā. Ir svarīgi kārtīgi nostiprināt zāgējamo materiālu, lai līdz minimumam samazinātu risku, kas saistīts ar pieskaršanos zāga ripai, ripas iestrēgšanu vai kontroles zudumu.
- ▶ Vienmēr stingri turiet izstrādājumu ar abām rokām aiz šim nolūkam paredzētajiem rokturiem un novietojiet rokas tā, lai varētu droši reaģēt uz atsietna radītajiem spēkiem.
- ▶ Raugieties, lai rokturi būtu sausi un tīri, nenotraipīti ar eļļu un smērvielām.
- ▶ Vienmēr nostājieties nedaudz uz sāniem no zāga – tā, lai zāga asmens neatrastos uz vienas līnijas ar jūsu ķermeni. Atsietna gadījumā zāģis var atlēkt atpakaļ.
- ▶ Vienmēr ieņemiet drošu stāju, jo īpaši, strādājot virs galvas augstuma. Pēkšņa konstrukcijas caurzāgēšana var izraisīt līdzsvara zudumu.
- ▶ Pirms darbiem, kuru laikā var tikt šķērsota būvkonstrukcija, nodrošiniet to no abām pusēm. Konstrukcijas atlūzas var nokrist un izraisīt traumas.
- ▶ Ja zāga asmens iestrēgst vai darbu nepieciešams pārtraukt citu iemeslu dēļ, izslēdziet zāģi, turiet to mierīgi un nogaidiet, līdz zāga asmens kustība apstājas. Nekādā gadījumā nemēģiniet izvilkēt zāģi no materiāla vai pavilkāt atpakaļ, kamēr zāga asmens atrodas kustībā, jo tas var izraisīt atsietna kustību.
- ▶ Ja vēlaties no jauna ieslēgt zāģi, kura asmens atrodas materiālā, nocentrējiet zāģa asmeni zāgējuma rievā un pārbaudiet, vai zāģa zobi nav iekūrušies materiālā.
- ▶ Ievērojiet īpašu piesardzību, veicot zāgējumus sienās un citās nepārrēdzamās vietās. Iegremdētās zāģa ripas pēkšņa sadursme ar sienā esošiem objektiem var izraisīt atsietni.
- ▶ Biežāk pārtrauciet darbu un izpildiet pirkstu vingrinājumus, kas uzlabo asinsriti. Ilgstoša darba gadījumā spēcīga vibrācija var radīt traucējumus pirkstu, roku vai plaukstu locītavu asinsvadu un nervu sistēmas funkcijās.
- ▶ Neskatieties tieši izstrādājuma apgaismojumā (LED) un nevērsiet to pret citu cilvēku seju. Pastāv apžilbināšanas risks.
- ▶ Pirms sākt zāgēšanu, pārliecinieties, ka ir pareizi iemontēta zāga lente. Nepareizi iemontēta zāga lente var iestrēgt un izraisīt atsietni.
- ▶ Traumu risks, ko rada krītoši instrumenti un/vai piederumi. Pirms darba sākšanas pārbaudiet, vai akumulators un uzmontētais papildaprīkojums ir kārtīgi nofiksēti.

## **Elektrodrošība**

- ▶ Pirms darba sākšanas pārbaudiet, vai darba zonā neatrodas neseģti elektrības vadi, gāzes vai ūdensapgādes caurules. Iekārtas ārējās metāla daļas var izraisīt elektriskās strāvas triecienu vai izraisīt eksploziju, ja darba laikā tiek bojāti elektriskie vadi, gāzes vai ūdens caurules.
- ▶ Veicot cauruļvadu pārzāgēšanu, piemēram, nojaukšanas un instalāciju ierīkošanas darbu ietvaros, pārbaudiet, vai cauruļvadā nav šķidrums un nepieciešamības gadījumā iztukšojiet to. Cauruļvadu pārzāgēšanas laikā turiet izstrādājumu augstāk par zāgējamo cauruļvadu. Izstrādājums nav aizsargāts pret mitruma iekļūšanu.





## Rūpīga elektroiekārtu lietošana un apkope

- ▶ Lietojiet tikai norādītā izmēra zāģa lentes.
- ▶ Nelietojiet neasas vai bojātas zāģa lentes. Šādas lentes palielina berzi, kā arī var izraisīt zāģa lentes iestrēgšanu vai atsitieni.
- ▶ Ievērojiet ražotāja norādījumus par zāģa lentes lietošanu un uzglabāšanu.

### 2.4 Akumulatoru pareiza lietošana un apkope

- ▶ **Ievērojiet turpmāk izklāstītos drošības norādījumus, lai litija jonu akumulatoru lietošana neradītu apdraudējumu.** Norādījumu neievērošana var izraisīt ādas kairinājumu, smagas korozīvas traumas, ķīmiskos apdegumus, ugunsgrēku vai eksploziju.
- ▶ Lietojiet akumulatorus tikai tad, ja tie ir nevainojamā tehniskajā stāvoklī.
- ▶ Rīkojieties ar akumulatoriem uzmanīgi, lai pasargātu tos no bojājumiem un nepieļautu veselībai ļoti kaitīgu šķidrumu izplūdi!
- ▶ Nekādā gadījumā nedrīkst veikt akumulatoru pārveidi vai citas neatļautas manipulācijas!
- ▶ Akumulatorus nedrīkst izjaukt, saspiest, sakarsēt virs 80 °C (176 °F) vai sadedzināt.
- ▶ Nelietojiet un nemēģiniet uzlādēt akumulatorus, kas bijuši pakļauti triecieniem vai ir bojāti citā veidā. Regulāri pārbaudiet, vai akumulatoriem nav konstatējamas bojājumu pazīmes.
- ▶ Nekādā gadījumā nelietojiet atjaunotus vai remontētus akumulatorus.
- ▶ Nekādā gadījumā nelietojiet akumulatoru vai ar akumulatoru darbināmu elektroiekārtu kā instrumentu sišanai.
- ▶ Nekādā gadījumā nepakļaujiet akumulatorus tiešiem saules stariem, augstai temperatūrai, dzirkstelēm vai atklātai liesmai. Tas var izraisīt eksploziju.
- ▶ Nepieskarieties bateriju poliem ar pirkstiem vai instrumentiem un nepieļaujiet, ka tie nonāk saskarē ar rotaslietām vai citiem priekšmetiem, kam piemīt elektriskā vadītspēja. Tas var izraisīt akumulatoru bojājumus, kā arī materiālu kaitējumu un traumas.
- ▶ Sargājiet akumulatorus no lietus un mitruma un šķidrumiem. Mitruma iekļūšana var izraisīt īssavienojumu, elektrisko triecienu, apdegumus, ugunsgrēku un eksploziju.
- ▶ Lietojiet kopā ar akumulatoru tikai tā tipam paredzētos lādētājus un elektroiekārtas. Ievērojiet attiecīgo lietošanas instrukciju norādījumus.
- ▶ Nelietojiet un neuzglabājiet akumulatoru sprādzienbīstamā vidē.
- ▶ Ja akumulators kļūst pārāk karsts, iespējams, ka tas ir bojāts. Novietojiet akumulatoru labi pārredzamā, ugunsdrošā vietā, pietiekamā atstumā no degošiem materiāliem. Ļaujiet akumulatoram atdzist. Ja pēc stundas akumulators joprojām ir tik karsts, ka to ir grūti satvert, tas nozīmē, ka tas ir bojāts. Vērsieties servisā **Hilti** vai izlasiet dokumentu "Norādījumi par **Hilti** litija jonu akumulatoru drošību un lietošanu".



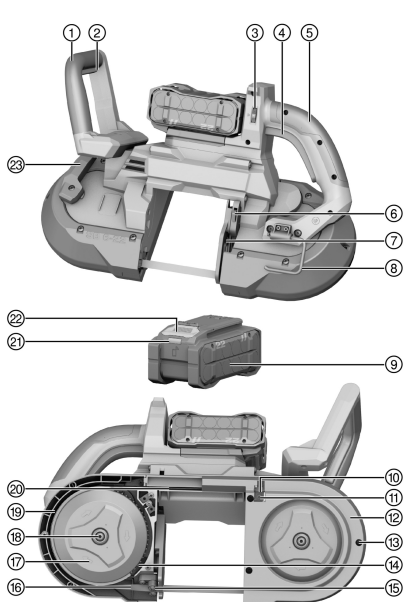
Ievērojiet īpašos norādījumus, kas attiecas uz litija jonu akumulatoru transportēšanu, uzglabāšanu un lietošanu. → Lappuse 139

Izlasiet Norādījumus par **Hilti** litija jonu akumulatoru drošību un lietošanu, kas ir pieejami, noskenējot QR kodu šīs lietošanas instrukcijas beigās.



### 3 Apraksts

#### 3.1 Izstrādājuma pārskats 1



- ① Rokturis ar drošības slēdzi
- ② Drošības slēdzis
- ③ Rotācijas ātruma slēdzis
- ④ Vadības slēdzis
- ⑤ Rokturis ar vadības slēdzi
- ⑥ Zāģējuma vadotnes fiksators
- ⑦ Zāģējuma vadotne
- ⑧ Sastatņu āķis
- ⑨ Akumulators
- ⑩ Balstplāksne
- ⑪ Balstplāksnes skrūve
- ⑫ Zāģa lentes pārsegs
- ⑬ Zāģa lentes pārsega skrūve
- ⑭ Vadotnes rievas
- ⑮ Zāģa lentes vadotne
- ⑯ Zāģa lente
- ⑰ Rullītis
- ⑱ Rullīša stiprinājums
- ⑲ Gumijas gredzens
- ⑳ Zāģa lentes vadotnes iedobe
- ㉑ Akumulatora statusa indikācija
- ㉒ Akumulatora atbloķēšanas taustiņš
- ㉓ Zāģa lentes nospriegošanas svira

#### 3.2 Nosacījumiem atbilstīga lietošana

Aprakstītais izstrādājums ir ar akumulatoru darbināms lentzāģis. Tas ir paredzēts metāla un plastmasas materiālu zāģēšanai.

Izstrādājums ir paredzēts lietošanai ar abām rokām.

- Lietojiet kopā ar šo izstrādājumu tikai sērijas B 22 **Hilti** litija jonu akumulatorus Nuron. Lai nodrošinātu optimālu darbības efektivitāti, **Hilti** iesaka kopā ar šo izstrādājumu lietot šīs lietošanas instrukcijas beigās iekļautajā tabulā norādītos akumulatorus.
- Lietojiet šo akumulatoru uzlādēšanai tikai šīs lietošanas instrukcijas beigās iekļautajā tabulā norādīto sēriju **Hilti** lādētājus.

#### 3.3 Piegādes komplektācija

Lentzāģis, lietošanas instrukcija

Citus šim izstrādājumam izmantojamus sistēmas produktus meklējiet **Hilti Store** vai tīmekļvietnē: [www.hilti.group](http://www.hilti.group)

#### 3.4 Litija jonu akumulatora indikācija

**Hilti** litija jonu akumulatoru Nuron indikācija var informēt par akumulatora uzlādes līmeni, kļūmēm un stāvokli.

##### 3.4.1 Uzlādes līmeņa indikācija un kļūmes paziņojumi

###### **BRĪDINĀJUMS!**

**Traumu risks akumulatora nokrišanas gadījumā!**

- ▶ Ja akumulators ir ievietots un tiek nospiests atbloķēšanas taustiņš, nodrošiniet, lai akumulators atkal tiktu kārtīgi nofiksēts izstrādājumā.

Lai redzētu kādu no turpmāk aprakstītajām indikācijas veidiem, īsi nospiediet akumulatora atbloķēšanas taustiņu.



Uzlādes līmeņa un varbūtējo traucējumu indikācija ir redzama arī pastāvīgi, kamēr izstrādājums ir ieslēgts.

Stass	Nozīme
Četras (4) LED konstanti deg zaļā krāsā	Uzlādes līmenis: no 100 % līdz 71 %
Trīs (3) LED konstanti deg zaļā krāsā	Uzlādes līmenis: no 70 % līdz 51 %
Divas (2) LED konstanti deg zaļā krāsā	Uzlādes līmenis: no 50 % līdz 26 %
(1) LED konstanti deg zaļā krāsā	Uzlādes līmenis: no 25 % līdz 10 %
Viena (1) LED lēni mirgo zaļā krāsā	Uzlādes līmenis: < 10 %
(1) LED ātri mirgo zaļā krāsā	Litija jonu akumulators ir pilnībā izlādējies. Uzlādējiet akumulatoru. Ja LED pēc akumulatora uzlādes joprojām ātri mirgo, vērsieties <b>Hilti</b> servisā.
(1) LED ātri mirgo dzeltenā krāsā	Litija jonu akumulators vai tam pievienotais izstrādājums ir pārslēgots, pārāk karsts vai pārāk auksts vai ir radusies cita kļūme. Nodrošiniet, lai izstrādājums vai akumulators būtu ieteicamajā darba temperatūrā, un lietojiet izstrādājumu tā, lai tas netiktu pārslēgots. Ja indikācija nepazūd, vērsieties <b>Hilti</b> servisā.
Viena (1) LED konstanti deg dzeltenā krāsā	Litija jonu akumulators un ar to savienotais izstrādājums nav savā starpā saderīgi. Lūdzu, vērsieties <b>Hilti</b> servisā.
(1) LED ātri mirgo sarkanā krāsā	Litija jonu akumulators ir bloķēts un nav lietojams. Lūdzu, vērsieties <b>Hilti</b> servisā.

### 3.4.2 Akumulatora stāvokļa indikācijas

Lai apskatītu akumulatora stāvokļa indikāciju, turiet atbloķēšanas taustiņu nospiestu ilgāk nekā trīs sekundes. Sistēma konstatē, ka potenciālu baterijas kļūmi, ko var izraisīt neatbilstīga apiešanās, piemēram, kritiens, saduršana, ārēja karstuma iedarbība utt.

Stass	Nozīme
Visas LED deg kā skrejošā gaisma, pēc tam viena (1) LED konstanti deg zaļā krāsā.	Akumulatoru var turpināt lietot.
Visas LED deg kā skrejošā gaisma, pēc tam viena (1) LED konstanti deg dzeltenā krāsā.	Akumulatora stāvokļa informācijas nolasīšanu neizdevās pabeigt. Atkārtojiet procesu vai vērsieties <b>Hilti</b> servisā.
Visas LED deg kā skrejošā gaisma, pēc tam viena (1) LED konstanti deg sarkanā krāsā.	Ja pievienoto izstrādājumu var turpināt lietot, atlikusi akumulatora kapacitāte ir mazāka nekā 50 %. Ja pievienoto izstrādājumu vairs nevar lietot, akumulators ir savu laiku nokalpojis un jānomaina pret citu. Lūdzu, vērsieties <b>Hilti</b> servisā.

## 4 Tehniskie parametri

Svars atbilstīgi EPTA Procedure 01 bez akumulatora	6,5 kg
Nominālais spriegums	21,6 V
Rotācijas ātrums tukšgaitā	150 m/min
maks. zāģējuma dziļums	127 mm
Izstrādājuma izmēri (Garums x platums x augstums)	525 mm x 175 mm x 375 mm
Zāģa lentes izmēri (Garums x platums x biezums)	1 140 mm x 12,4 mm x 0,5 mm
Apkārtējā temperatūra darbības laikā	-17 °C ... 60 °C
Uzglabāšanas temperatūra	-20 °C ... 70 °C



#### 4.1 Akumulators

Akumulatora darba spriegums	21,6 V
Akumulatora svars	Skat. šīs lietošanas instrukcijas beigās
Apkārtējā temperatūra darbības laikā	-17 °C ... 60 °C
Uzglabāšanas temperatūra	-20 °C ... 40 °C
Akumulatora temperatūra uzlādes sākumā	-10 °C ... 45 °C

#### 4.2 Informācija par troksni un vibrāciju saskaņā ar EN 60745

Šajās instrukcijās norādītie lielumi, kas raksturo skaņas spiedienu un vibrāciju, ir noteikti ar standartizētas mērījumu metodes palīdzību, un tos var izmantot elektroiekārtu savstarpējai salīdzināšanai. Tos var izmantot arī trokšņa un vibrācijas iedarbības pagaidu novērtējumam. Norādītie parametri attiecas uz elektroiekārtas galvenajiem lietošanas veidiem. Taču, ja elektroiekārta tiek izmantota citos nolūkos, ar citiem maināmajiem instrumentiem vai netiek nodrošināta pietiekama tās apkope, parametri var atšķirties no norādītajiem. Tas var ievērojami palielināt trokšņa un vibrācijas iedarbību visā darba laikā. Lai precīzi novērtētu iedarbību, jāņem vērā arī laiks, cik ilgi iekārta ir izslēgta vai ir ieslēgta, taču faktiski netiek darbināta. Tas var būtiski samazināt iedarbību kopējā darba laikā. Jāparedz papildu drošības pasākumi, lai aizsargātu iekārtas lietotāju pret trokšņa un/vai vibrācijas iedarbību, piemēram, elektroiekārtas un maināmo instrumentu apkope, roku turēšana siltumā, darba procesu organizācija.

##### Informācija par troksni

Skaņas jaudas līmenis ( $L_{WA}$ )	86 dB(A)
Skaņas jaudas līmeņa pielaide ( $K_{WA}$ )	3 dB(A)
Skaņas spiediena līmenis ( $L_{pA}$ )	75 dB(A)
Skaņas spiediena līmeņa pielaide ( $K_{pA}$ )	3 dB(A)

##### Kopējie vibrācijas rādītāji

Svārstību emisijas rādītāji, zāģējot metālu (ah,CM)	B 22-55	0,8 m/s <sup>2</sup>
	B 22-255	0,7 m/s <sup>2</sup>
Pielaide (K)		1,5 m/s <sup>2</sup>

## 5 Sagatavošanās darbam

### BRĪDINĀJUMS!

#### Traumu risks nejaucas iedarbošanās gadījumā!

- ▶ Pirms akumulatora ievietošanas pārliecinieties, ka attiecīgais izstrādājums ir izslēgts.
- ▶ Pirms iekārtas iestatīšanas vai piederumu maiņas izņemiet no iekārtas akumulatoru.

Ievērojiet drošības norādījumus un brīdinājumus, kas atrodami šajā dokumentācijā un uz izstrādājuma.

#### 5.1 Akumulatora uzlādēšana

1. Pirms uzlādes sākšanas izlasiet lādētāja lietošanas instrukciju.
2. Raugieties, lai akumulatora un lādētāja kontaktu virsmas ir tīras un sausas.
3. Veiciet akumulatora uzlādi atbilstīgā lādētājā. → Lappuse 132

#### 5.2 Akumulatora ievietošana

### BRĪDINĀJUMS!

#### Traumu risks īssavienojuma vai akumulatora nokrišanas gadījumā!

- ▶ Pirms akumulatora ievietošanas pārliecinieties, ka uz akumulatora un izstrādājuma kontaktiem neatrodas nekādi svešķermeņi.
- ▶ Pārbaudiet, vai akumulators ir droši nofiksēts.

1. Pirms pirmās lietošanas pilnībā uzlādējiet akumulatoru.
2. Iebīdīet akumulatoru izstrādājumā, līdz tas dzirdami nofiksējas.



3. Pārbaudiet, vai akumulators ir droši nofiksēts.

### 5.3 Akumulatora izņemšana

1. Nospiediet akumulatora atbloķēšanas taustiņu.
2. Izvelciet akumulatoru no iekārtas.

### 5.4 Zāga lentes nomaiņa 2

#### BRĪDINĀJUMS!

**Traumu risks, ko rada zāga lente.** Zāga lente var būt karsta un/vai asa un noteiktos apstākļos tikt norauta.

- ▶ Darba laikā un zāga lentes nomaiņas laikā valkājiet aizsargocimdus un acu aizsargu.
- ▶ Lietojiet lenti tikai tad, kad ir pareizi uzstādīts zāga lentes pārsegums.
- ▶ Nekādā gadījumā nenovietojiet lenti pēc tā lietošanas uz degoša materiāla virsmas.

#### UZMANĪBU!

**Neatbilstīga zāga lente rada materiāla kaitējuma risku.** Neatbilstīga zāga lente var izraisīt priekšlaicīgu materiālu nogurumu un zāga lentes bojājumus.

- ▶ Izvēlieties piemērotu zāga lenti, kas atbilst lentiņiem un zāgējamajam materiālam.
- ▶ Izvēlieties zāga lenti ar pareizu zonu daļījumu (zobu skaitu uz collu), kas atbilst zāgējamajam materiālam: lielāku zobu daļījumu cietiem / plāniem materiāliem; mazāku zobu daļījumu mīksti / bieziem materiāliem.
- ▶ Lietojiet tikai zāga lentes, kuru biezums ir 0,5 mm. Lielāks zāga lentes biezums palielina lieces slodzi un paātrina zāga zobu nodilšanu.
- ▶ Izvēlieties zāga lenti tā, lai vismaz divi zobi būtu novietoti tieši uz zāgējamās detaļas.
- ▶ Lietojiet tikai un vienīgi zāga lentes ar izmēriem 1140 mm × 12,5 mm × 0,5 mm.

1. Atskrūvējiet abu zāga lentes pārsegu skrūves.
2. Noņemiet abus zāga lentes pārsegus.
3. Līdz galam pagrieziet nospriegošanas sviru.
  - ▶ Zāga lente tiek atbrīvota.
4. Izņemiet veco zāga lenti no vadotnes un nododiet to utilizācijai.
5. Ievietojiet vadotnē jaunu zāga lenti.
6. Aplieciet jauno zāga lenti ap abiem rullīšiem.
7. Ievietojiet jaunu zāga lenti zāga lentes vadotnes iedobē.
8. Pārbaudiet, vai zāga lente ir iemontēta pareizi.
9. Līdz galam pagrieziet nospriegošanas sviru.
  - ▶ Zāga lente tiek nospriegota.
10. Uzlieciet abus zāga lentes pārsegus.
11. Pievelciet abu zāga lentes pārsegu skrūves.

### 5.5 Nodrošinājums pret kritienu

#### BRĪDINĀJUMS!

**Traumu risks** instrumenta un/vai papildaprīkojuma nokrišanas gadījumā!

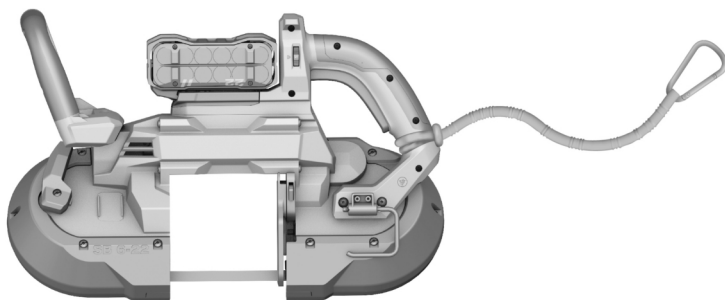
- ▶ Lietojiet tikai jūsu izstrādājumam ieteikto **Hilti** instrumentu drošības virvi.
- ▶ Pirms katras lietošanas pārbaudiet, vai nav bojāts instrumentu drošības virves stiprinājuma punkts.



Ievērojiet jūsu valstī spēkā esošos noteikumus par darbu augstumā.

Šī izstrādājuma aizsardzībai pret kritieniem lietojiet tikai **Hilti** instrumentu drošības virvi #2261971.





- ▶ Nostipriniet instrumentu drošības virvi ar cilpu pie izstrādājuma, kā parādīts attēlā. Pārbaudiet, vai fiksācija ir droša.
- ▶ Nostipriniet karabīnes āķi pie nesošās konstrukcijas. Pārbaudiet, vai karabīnes āķis ir droši nofiksēts.



levērojiet **Hilti** instrumentu drošības virves lietošanas instrukciju.

## 6 Lietošana

levērojiet drošības norādījumus un brīdinājumus, kas atrodami šajā dokumentācijā un uz izstrādājuma.

### 6.1 Zāģējuma vadotnes iestatišana

1. Nospiediet un turiet zāģējuma vadotnes fiksatoru.
2. Pārbīdīet zāģējuma vadotni nepieciešamajā augstumā.
3. Atlaidiet zāģējuma vadotnes fiksatoru.

### 6.2 Zāģēšana

#### **BRĪDINĀJUMS!**

**Traumu risks**, ko rada lentzāģa atsitiens.

- ▶ Pirms sākt zāģēšanu, nofiksējiet zāģējamo detaļu, piemēram, skrūvspilēs.
- ▶ Salāgojiet lentzāģa un apstrādājamā materiāla savstarpējo novietojumu.

#### **BRĪDINĀJUMS!**

**Traumu risks** zāģa inerces kustības rezultātā.

- ▶ Paceliet iekārtu no apstrādājamā materiāla tikai tad, kad tās kustība ir pilnībā apstājusies.
- ▶ Nekad nenolieciet elektroiekārtu, kamēr nav pilnībā apstājusies tās kustība.

#### **BRĪDINĀJUMS!**

**Traumu risks, ko rada zāģa lente.** Zāģa lente var būt karsta un/vai asa un noteiktos apstākļos tikt norauta.

- ▶ Darba laikā un zāģa lentes nomainas laikā valkājiet aizsargcimdus un acu aizsargu.
- ▶ Lietojiet lentzāģi tikai tad, kad ir pareizi uzstādīts zāģa lentes pārsegs.
- ▶ Nekādā gadījumā nenovietojiet lentzāģi pēc tā lietošanas uz degoša materiāla virsmas.



**⚠ UZMANĪBU!**

**Neatbilstīga zāga lente rada materiāla kaitējuma risku.** Neatbilstīga zāga lente var izraisīt priekšlaicīgu materiālu nogurumu un zāga lentes bojājumus.

- ▶ Izvēlieties piemērotu zāga lenti, kas atbilst lentzāģim un zāģējamajam materiālam.
- ▶ Izvēlieties zāga lenti ar pareizu zonu dalījumu (zobu skaitu uz collu), kas atbilst zāģējamajam materiālam: lielāku zobu dalījumu cieti / plāniem materiāliem; mazāku zobu dalījumu mīksti / bieziem materiāliem.
- ▶ Lietojiet tikai zāga lentes, kuru biezums ir 0,5 mm. Lielāks zāga lentes biezums palielina lieces slodzi un paātrina zāga zobu nodilšanu.
- ▶ Izvēlieties zāga lenti tā, lai vismaz divi zobi būtu novietoti tieši uz zāģējamās detaļas.
- ▶ Lietojiet tikai un vienīgi zāga lentes ar izmēriem 1140 mm × 12,5 mm × 0,5 mm.

Ar regulāriem intervāliem pārbaudiet, vai nav bojāts gumijas gredzens.

Lai paildzinātu lentzāģa kalpošanu, pēc katras darba procedūras attīriet zāga lentes pārsegus un zāģējuma vadotni no putekļiem un skaidām.



Lai iedarbinātu lentzāģi, nepieciešams: vispirms nospiest vadības slēdzi un pēc tam drošības slēdzi un turēt tos abus vienlaikus nospiešus.



Lentzāģa pašmasa ir pietiekama, lai veiktu zāģēšanu. Neizdariet uz lentzāģi papildu spiedienu.

1. Ja nepieciešams, nomainiet gumijas gredzenu. → Lappuse 138
2. Ja nepieciešams, nomainiet zāga lenti. → Lappuse 135
3. Nospiediet un turiet nospiestu vadības slēdzi.
4. Nospiediet un turiet nospiestu drošības slēdzi.
5. Uzlieciet lentzāģi uz zāģējamā materiāla tā, lai pēc iespējas daudzi zāga zobi būtu novietoti uz zāģējamā materiāla.
6. Veiciet zāģēšanu.



Virziet lentzāģi tā, lai, ja viens iespējams, griezuma vietā vienmēr atrastos trīs zāga zobi.

7. Atlaidiet vadības slēdzi.

## 7 Apkope un uzturēšana

**⚠ BRĪDINĀJUMS!**

**Traumu risks ievietota akumulatora gadījumā !**

- ▶ Pirms jebkādiem apkopes un tehniskā stāvokļa uzturēšanas darbiem vienmēr izņemiet akumulatoru!

### Izstrādājuma kopšana

- Uzmanīgi notīriet pielīpušos netīrumus.
- Ja izstrādājumam ir ventilācijas atveres, uzmanīgi iztīriet tās ar sausu, mīkstu birstīti.
- Notīriet korpusa virsmas tikai ar neredzami samitrinātu drāniņu. Nelietojiet silikonu saturošus kopšanas līdzekļus, jo tie var sabojāt plastmasas daļas.
- Izstrādājuma kontaktu tīrīšanai lietojiet tīru un sausu drāniņu.

### Litija jonu akumulatoru apkope

- Nekādā gadījumā nelietojiet akumulatoru ar nosprostotām ventilācijas atverēm. Uzmanīgi iztīriet ventilācijas atveres ar sausu, mīkstu birstīti.
- Nepakļaujiet akumulatoru nevajadzīgai putekļu vai netīrumu ietekmei. Nekādā gadījumā nepakļaujiet akumulatoru spēcīgam mitrumam (piemēram, nemērciet to ūdenī un neatstājiet lietū).  
Ja akumulators ir samircis, rīkojieties ar to tāpat, kā jūs rīkotos ar bojātu akumulatoru. Ievietojiet to izolētā nedegošā materiāla tvertnē un vērsieties **Hilti** servisā.



- Raugieties, lai akumulators nebūtu savārtīts ar nepiederīgu eļļu un smērvielām. Raugieties, lai uz akumulatora nevajadzīgi neuzkrātos putekļi un netīrumi. Notīriet akumulatoru ar sausu, mīkstu birstīti vai tīru un sausu drāniņu. Nelietojiet silikonu saturošus kopšanas līdzekļus, jo tie var sabojāt plastmasas daļas. Nepieskarieties akumulatora kontaktiem un neattīriet kontaktus no rūpnīcā uzklātās smērvielas.
- Notīriet korpusa virsmas tikai ar nedaudz samitrinātu drāniņu. Nelietojiet silikonu saturošus kopšanas līdzekļus, jo tie var sabojāt plastmasas daļas.

#### Uzturēšana

- Regulāri pārbaudiet visas redzamās daļas, lai pārliecinātos, ka tās nav bojātas un funkcionē nevainojami.
- Nelietojiet izstrādājumu, ja tam ir radušies bojājumi un/vai funkciju traucējumi. Nekavējoties nododiet izstrādājumu **Hilti** servisā remonta veikšanai.
- Pēc apkopes un remonta darbiem piemontējiet vietā visas aizsargierīces un pārbaudiet, vai tās darbojas nevainojami.



Lai izstrādājuma lietošana būtu droša, izmantojiet tikai oriģinālās rezerves daļas un patēriņa materiālus. Rezerves daļas, patēriņa materiālus un piederumus, kuru lietošanu kopā ar šo izstrādājumu akceptē **Hilti**, var atrast **Hilti Store** vai tīmekļvietnē: [www.hilti.group](http://www.hilti.group)

#### 7.1 Zāga lentes pārsega nomaiņa 5



Nomainiet zāga lentes pārsegu, tiklīdz jūs konstatējat, ka tas ir bojāts.

1. Atskrūvējiet zāga lentes pārsega skrūves.
2. Noņemiet bojāto zāga lentes pārsegu un nododiet to utilizācijai.
3. Uzmontējiet uz lentzāga jaunu zāga lentes pārsegu.
4. Pievelciet zāga lentes pārsega skrūves ar griezes momentu 2 līdz 3 Nm.

#### 7.2 Gumijas gredzena nomaiņa 6



Nomainiet gumijas gredzenu, tiklīdz jūs konstatējat, ka tas ir bojāts.

1. Demontējiet zāga lenti → Lappuse 135.
2. Noņemiet gumijas gredzenu.
3. Pārbaudiet, vai vadotnes rievās nav iekļuvuši netīrumi un, ja nepieciešams, iztīriet tās.
4. Uzvelciet jaunu gumijas gredzenu uz zāga lentes rullīša.
5. Pielāgojiet gumijas gredzena novietojumu, līdz tas pilnībā noslēdzas ar vadotnes rievām.
6. Iemontējiet zāga lenti atpakaļ vietā → Lappuse 135.

#### 7.3 Zāga lentes vadotnes nomaiņa 7



Nomainiet zāga lentes vadotni, tiklīdz jūs konstatējat, ka tā ir bojāta, piemēram, ja ir izveidojusies zāga lentes iefrēzēta rieva.

1. Demontējiet zāga lenti → Lappuse 135.
2. Atskrūvējiet abas zāga lentes vadotnes skrūves.
3. Izņemiet bojāto zāga lentes vadotni no lentzāga un nododiet to utilizācijai.
4. Ievietojiet lentzāgī jaunu zāga lentes vadotni.
5. Pievelciet abas zāga lentes vadotnes skrūves ar griezes momentu 2 līdz 3 Nm.
6. Iemontējiet zāga lenti atpakaļ vietā → Lappuse 135.

#### 7.4 Balstplāksnes nomaiņa 8



Nomainiet balstplāksni, tiklīdz sāk berzties vai iestrēgt zāga lente.





1. Demontējiet zāga lenti → Lappuse 135.
2. Atskrūvējiet balstplāksnes skrūvi.
3. Izņemiet bojāto balstplāksni no lentzāga un nododiet to utilizācijai.
4. Ievietojiet lentzāgī jaunu balstplāksni.
5. Pievelciet balstplāksnes skrūvi ar griezes momentu 2 līdz 3 Nm.
6. Iemontējiet zāga lenti atpakaļ vietā → Lappuse 135.

## 8 Iekārtu un akumulatoru transportēšana un uzglabāšana

### Transportēšana

#### IEVĒROT PIESARDZĪBU!

#### Nekontrolēta iedarbošanās transportēšanas laikā!

- ▶ Pirms iekārtu transportēšanas vienmēr izņemiet no tām akumulatorus!
- ▶ Izņemiet akumulatoru / akumulatorus.
- ▶ Nekādā gadījumā netransportējiet akumulatorus nenostiprinātā veidā, sabērtus kaudzē. Transportēšanas laikā akumulatori jāsaargā no triecieniem un vibrācijas, kā arī jāizolē no jebkādiem materiāliem, kam piemīt elektriskā vadītspēja, no citiem akumulatoriem, lai nepieļautu to nonākšanu saskarē ar citu bateriju kontaktiem un īssavienojuma rašanos. **Ievērojiet vietējos noteikumus par akumulatoru transportēšanu.**
- ▶ Akumulatorus nedrīkst sūtīt pa pastu. Ja vēlaties nosūtīt nebojātus akumulatorus, vērsieties sūtījumu piegādes uzņēmumā.
- ▶ Pirms katras lietošanas, kā arī pēc ilgākas transportēšanas pārbaudiet, vai izstrādājums un akumulatori nav bojāti.

### Uzglabāšana

#### BRĪDINĀJUMS!

#### Neparedzami bojājumi bojātu vai izplūdušu akumulatoru dēļ!

- ▶ Pirms iekārtu novietošanas glabāšanā vienmēr izņemiet no tām akumulatorus!
- ▶ Glabājiet izstrādājumu un akumulatorus vēsā un sausā vietā. Ievērojiet temperatūras robežvērtības, kas norādītas tehnisko parametru sadaļā.
- ▶ Neglabājiet akumulatorus uz lādētāja. Pēc uzlādes procesa vienmēr noņemiet akumulatoru no lādētāja.
- ▶ Nekad neglabājiet akumulatorus saulē, uz siltuma avotiem vai aiz stikla.
- ▶ Glabājiet izstrādājumu un akumulatorus tā, lai tiem nevarētu piekļūt bērni un nepiederošas personas.
- ▶ Pirms katras lietošanas, kā arī pēc ilgākas uzglabāšanas pārbaudiet, vai izstrādājums un akumulatori nav bojāti.

## 9 Traucējumu novēršana

Traucējumu gadījumā ņemiet vērā akumulatora statusa indikāciju. Skat. nodaļu **Litija jonu akumulatora indikācija**.

Ja izstrādājuma darbībā radušies traucējumi, kas nav uzskaitīti šajā tabulā vai ko jums neizdodas novērst saviem spēkiem, lūdzu, meklējiet palīdzību mūsu **Hilti** servisā.

Traucējums	Iespējamais iemesls	Risinājums
Iekārta nedarbojas ar pilnu jaudu.	Vadības slēdzis nav nospiests līdz galam.	▶ Līdz galam nospiediet vadības slēdzi.
Izstrādājumu nav iespējams ieslēgt.	Nav aktivēta ieslēgšanas bloķēšana.	▶ Aktivējiet ieslēgšanas bloķēšanu.
Iekārtu nevar iedarbināt.	Zāga lente ir nobloķējusies	▶ Pārbaudiet, vai zāga lente ir piemontēta pareizi un/vai nav bojāta.
Akumulatora LED indikācijas nav.	Akumulators ir bojāts	▶ Vērsieties <b>Hilti</b> servisā.




## 10 Nokalpojušo iekārtu utilizācija

### BRĪDINĀJUMS!

**Traumu risks neatbilstīgas utilizācijas gadījumā!** Veselības apdraudējums, izplūstot kaitīgām gāzēm un šķidrumiem.

- ▶ Bojātus akumulatorus nav atļauts nosūtīt!
- ▶ Lai nepieļautu īssavienojumus, nosedziet pieslēguma kontaktus ar materiālu, kam nepiemīt elektriskā vadītspēja.
- ▶ Utilizējiet akumulatorus tā, lai tiem nevarētu piekļūt bērni.
- ▶ Nododiet akumulatoru utilizācijai jūs apkalpojošajā **Hilti Store** vai vērsieties pie kompetentā atkritumu apsaimniekošanas uzņēmuma.

 **Hilti** izstrādājumu izgatavošanā tiek izmantoti galvenokārt otrreiz pārstrādājami materiāli. Priekšnosacījums otrreizējai pārstrādei ir atbilstoša materiālu šķirošana. Daudzās valstīs **Hilti** pieņem nolietotās iekārtas otrreizējai pārstrādei. Lai saņemtu vairāk informācijas, vērsieties **Hilti** servisā vai pie sava pārdošanas konsultanta.



- ▶ Neizmetiet elektroiekārtas, elektroniskas ierīces un akumulatorus sadzīves atkritumos!

## 11 Ražotāja garantija

- ▶ Ar jautājumiem par garantijas nosacījumiem, lūdzu, vērsieties pie vietējā **Hilti** partnera.

## 12 Papildinformācija

Papildinformācija par lietošanu, tehniku, vides aizsardzību un materiālu otrreizējo pārstrādi ir pieejama, izmantojot šādu saiti: [qr.hilti.com/manual/?id=2354065&id=2354067](http://qr.hilti.com/manual/?id=2354065&id=2354067)

Šī saite QR koda veidā ir iekļauta arī dokumentācijas beigās.

## Originali naudojimo instrukcija

### 1 Informacija apie naudojimo instrukciją

#### 1.1 Apie šią naudojimo instrukciją

- Prieš pradėdami eksploatuoti, perskaitykite šią naudojimo instrukciją. Tai yra saugaus darbo ir patikimo naudojimo sąlyga.
- Laikykitės saugos ir įspėjimų nurodymų, pateiktų šioje naudojimo instrukcijoje ir ant prietaiso.
- Šią naudojimo instrukciją visada laikykite kartu su prietaisu ir prietaisą kitiems asmenims perduokite tik kartu su šia naudojimo instrukcija.

#### 1.2 Ženklų paaiškinimas

##### 1.2.1 Įspėjamieji nurodymai

Įspėjamieji nurodymai įspėja apie pavojus, gresiančius eksploatuojant prietaisą. Naudojami šie signaliniai žodžiai:

### PAVOJUS

#### PAVOJUS !

- ▶ Šis žodis vartojamas norint įspėti apie tiesiogiai gresiantį pavojų, kurio pasekmės yra sunkūs kūno sužalojimai arba žūtis.

### ĮSPĖJIMAS

#### ĮSPĖJIMAS !

- ▶ Šis žodis vartojamas norint įspėti apie galimai gresiantį pavojų, kurio pasekmės gali būti sunkūs kūno sužalojimai arba žūtis.



## **ATSARGIAI**

### **ATSARGIAI !**

- Šis žodis vartojamas potencialiai pavojingai situacijai žymėti, kai yra kūno sužalojimo arba materialinių nuostolių grėsmė.

### **1.2.2 Naudojimo instrukcijoje naudojami simboliai**

Šioje naudojimo instrukcijoje naudojami tokie simboliai:

	Laikykites naudojimo instrukcijos
	Naudojimo nurodymai ir kita naudinga informacija
	Rodo, kad juo paženklintą medžiagą galima perdirbti
	Elektrinių prietaisų ir akumuliatorių nemesti į buitines atliekas
	<b>Hilti</b> Ličio jonų akumuliatorius
	<b>Hilti</b> Kroviklis

### **1.2.3 Iliustracijose naudojami simboliai**

Iliustracijose naudojami šie simboliai:

	Šis skaitmenys nurodo atitinkamą iliustraciją šios naudojimo instrukcijos pradžioje.
	Numeravimas nurodo darbinių veiksmų eiliškumą paveikslėlyje ir gali skirtis nuo tekste pateikto darbinių veiksmų numeravimo.
	Pozicijų numeriai naudojami paveikslėlyje <b>Apžvalga</b> – jie nurodo skyrelyje <b>Prietaiso vaizdas</b> esančių paaiškinimų numerius.
	Šiuo ženklu siekiama atkreipti ypatingą dėmesį į naudojamą šiuo prietaisu.

## **1.3 Specifiniai prietaiso simboliai**

### **1.3.1 Simboliai ant prietaiso**

Ant prietaiso gali būti naudojami šie simboliai:

	Nuolatinė srovė
	Sukimosi krypties rodyklė
	Prietaisas palaiko NFC technologiją, suderinamą su „iOS“ ir „Android“ platformomis.
	Ličio jonų akumuliatorius
	Naudodami kokį nors daiktą, niekada nesmūgiuokite į akumuliatorių ir akumuliatoriaus niekada nenaudokite vietoje plaktuko.
	Saugokite, kad akumuliatorius nenukrįstų. Nenaudokite akumuliatoriaus, kuris buvo sutrenktas arba kaip nors kitaip pažeistas.

### **1.4 Informacija apie prietaisą**

**HILTI** gaminiai yra skirti profesionalams, todėl juos naudoti, techniškai prižiūrėti ir remontuoti leidžiama tik įgaliotam instruktuiotam personalui. Šis personalas turi būti supažindintas su visais galimais pavojais. Neapmokyto personalo, netinkamai arba ne pagal paskirtį naudojamas prietaisas ir jo reikmenys gali kelti pavojų.

Tipas ir serijos numeris yra nurodyti firminėje duomenų lentelėje.



- ▶ Serijos numerį perkelkite į toliau nurodytą lentelę. Kreipdamiesi su prietaisu susijusiais klausimais į mūsų atstovybę ar techninės priežiūros centrą, visada nurodykite šiuos prietaiso duomenis.

**Prietaiso duomenys**

Akumuliatorinis juostinis pjūklas	SB 6-22
Karta	01
Serijos Nr.	

**1.5 Atitikties deklaracija**

Gamintojas prisiimdamas visą atsakomybę pareiškia, kad čia aprašytas prietaisas atitinka galiojančių įstatymų ir standartų reikalavimus. Atitikties deklaracijos kopiją rasite šios instrukcijos gale.

Techninė dokumentacija saugoma čia:

Hilti Entwicklungsgesellschaft mbH | Zulassung Geräte | Hiltistraße 6 | 86916 Kaufering, DE

**2 Sauga****2.1 Bendrieji saugos nurodymai dirbantiems su elektriniais įrankiais**

**⚠ ĮSPĖJIMAS Perskaitykite visus ant šio elektrinio įrankio esančius saugos nurodymus, instrukcijas, paveikslėlius ir techninius duomenis.** Šių nurodymų nesilaikymas gali tapti elektros smūgio, gaisro ir / arba sunkių sužalojimų priežastimi.

**Išsaugokite visus saugos nurodymus ir instrukcijas, kad galėtumėte į juos pažvelgti ateityje.**

Saugos nurodymuose vartojama sąvoka „elektrinis įrankis“ apibrėžiami iš elektros tinklo maitinami elektriniai įrankiai (turintys maitinimo kabelį) ir iš akumuliatoriaus maitinami elektriniai įrankiai (be maitinimo kabelio).

**Sauga darbo vietoje**

- ▶ **Pasirūpinkite, kad darbo vieta visada būtų švari ir gerai apšviesta.** Netvarkinga ar blogai apšviesta darbo vieta gali tapti nelaimingų atsitikimų priežastimi.
- ▶ **Nenaudokite elektrinio įrankio sprogioje aplinkoje, kurioje yra degių skysčių, dujų arba dulkių.** Veikiantys elektriniai įrankiai kibirkščiuoja, ir kibirkštys gali uždegti dulkes arba susikaupusius garus.
- ▶ **Dirbdami su elektriniu įrankiu, neleiskite darbo zonoje būti vaikams ir pašaliniais asmenims.** Atitraukę dėmesį nuo darbo, galite nebesuvaldyti prietaiso.

**Apsauga nuo elektros**

- ▶ **Prietaiso maitinimo kabelio kištukas turi atitikti elektros lizdo tipą.** Kištuko jokia būdu negalima keisti. **Nenaudokite tarpinių kištukų kartu su elektriniais įrankiais, turinčiais apsauginį įžeminimą.** Nepakeisti kištukai ir tinkami elektros lizdai mažina elektros smūgio riziką.
- ▶ **Venkite kūno kontakto su įžemintais paviršiais, pvz., vamzdžiais, šildytuvais, viryklėmis ir šaldytuvais.** Kai žmogaus kūnas yra įžemintas, padidėja elektros smūgio tikimybė.
- ▶ **Elektrinius įrankius saugokite nuo lietaus ir drėgmės.** Į elektrinį įrankį patekus vandens, padidėja elektros smūgio rizika.
- ▶ **Nenaudokite elektros maitinimo kabelio ne pagal paskirtį, t. y. neneškite elektrinio įrankio paėmę už kabelio, nekabinkite jo ant kabelio, netraukite už kabelio, norėdami ištraukti kištuką iš elektros lizdo.** Elektros maitinimo kabelį saugokite nuo karščio, alyvos, aštrių briaunų ar judančių dalių. Pažeisti arba susipynę elektros maitinimo kabeliai didina elektros smūgio riziką.
- ▶ **Jei su elektriniu įrankiu dirbate lauke, naudokite tik tokius ilginimo kabelius, kurie tinka ir lauko darbams.** Naudojant lauko darbams tinkančius ilginimo kabelius, mažėja elektros smūgio rizika.
- ▶ **Jeigu elektrinio įrankio naudojimo drėgnoje aplinkoje negalima išvengti, į elektros tinklą jįjunkite per apsauginę nuotėkio relę.** Apsauginė nuotėkio relė mažina elektros smūgio riziką.

**Žmonių sauga**

- ▶ **Dirbdami su elektriniu įrankiu, būkite atidūs, sutelkite dėmesį į darbą ir vadovaukitės sveika nuovoka.** Elektrinio įrankio nenaudokite, jeigu esate pavargę arba apsvaigę nuo narkotinių medžiagų, alkoholio ar vaistų. Neatidumo akimirka dirbant su elektriniu įrankiu gali tapti rimtų sužalojimų priežastimi.
- ▶ **Naudokite asmenines apsaugos priemones ir visuomet užsidėkite apsauginius akinius.** Naudojant asmenines apsaugos priemones, pvz., respiratorių, neslystančius apsauginius batus, apsauginį šalną, ausines ir kt., priklausomai nuo elektrinio įrankio tipo ir naudojimo, mažėja rizika susižaloti.
- ▶ **Saugokitės, kad neįjungtumėte prietaiso atsitiktinai. Prieš prijungdami prie elektros maitinimo tinklo, įdėdami akumuliatorių, imdami į rankas ar nešdami, įsitikinkite, kad elektrinis įrankis yra išjungtas.** Jeigu nešdami elektrinį įrankį pirštą laikysite ant jungiklio arba įrankį įjungsitė į elektros tinklą tuomet, kai jungiklis nėra išjungtas, gali įvykti nelaimingas atsitikimas.



- ▶ **Prieš įjungdami elektrinį įrankį, pašalinkite iš jo reguliavimo įrankius ar veržlinius raktus.** Besisukančioje prietaiso dalyje esantis įrankis ar paliktas raktas gali tapti sužalojimų priežastimi.
- ▶ **Venkite nepatogių kūno padėčių. Dirbdami stovėkite tvirtai ir visada išlaikykite kūno pusiausvyrą.** Taip galėsite geriau kontroliuoti elektrinį įrankį netikėtose situacijose.
- ▶ **Vilkėkite tinkamą aprangą. Nevilkėkite plačių drabužių, nesidėkite papuošalų. Saugokite plaukus, drabužius ir pirštines nuo besisukančių prietaiso dalių.** Laisvus drabužius, papuošalus ir ilgus plaukus gali įtraukti besisukančios prietaiso dalys.
- ▶ **Jeį yra numatyta galimybė prijungti dulkių nusiurbimo ar surinkimo įrenginius, visada įsitinkinkite, kad jie yra prijungti ir tinkamai naudojami.** Naudojant dulkių nusiurbimo įrenginį, gali sumažėti dulkių keliama grėsmė.
- ▶ **Neturėkite iliuzijų, kad visada esate saugūs, ir, skaitydami naudojimo instrukcijas, nepraleiskite skyrelių apie saugų darbą su elektriniais įrankiais, net jeigu per ilgus naudojimo metus esate su savo elektriniu įrankiu susipažinę.** Neatsargus veiksmas per sekundės dalį gali tapti sunkių sužalojimų priežastimi.

#### Elektrinio įrankio naudojimas ir elgesys su juo

- ▶ **Prietaiso neperkraukite. Naudokite Jūsų darbui tinkamą elektrinį įrankį.** Su tinkamu elektriniu įrankiu dirbsite geriau ir saugiau, jei neviršysite nurodytos galios.
- ▶ **Nenaudokite elektrinio įrankio su sugedusiu jungikliu.** Elektrinis įrankis, kurio nebegalima įjungti ar išjungti, yra pavojingas ir jį reikia remontuoti.
- ▶ **Prieš prietaisą nustatydami, keisdami reikmenis ar tiesiog padėdami į šalį, visuomet ištraukite maitinimo kabelio kištuką iš elektros lizdo ir / arba iš prietaiso išimkite akumuliatorių.** Ši atsargumo priemonė leis išvengti netikėto elektrinio įrankio įsijungimo.
- ▶ **Nenaudojamus elektrinius įrankius saugokite vaikams nepasiekiamoje vietoje. Neleiskite prietaisu naudotis asmenims, kurie nėra su juo susipažinę arba nėra perskaitę šios instrukcijos.** Elektriniai įrankiai yra pavojingi, kai juos naudoja patirties neturintys asmenys.
- ▶ **Elektrinius įrankius ir reikmenis rūpestingai prižiūrėkite. Tikrinkite, ar judančios elektrinio įrankio dalys tinkamai funkcionuoja ir nekur neklūva, ar nėra sulūžusių ir pažeistų dalių, kurios blogintų įrankio veikimą. Prieš naudojimą pažeistos prietaiso dalys turi būti suremontuotos.** Blogai prižiūrimi elektriniai įrankiai yra daugelio nelaimingų atsitikimų priežastis.
- ▶ **Pjovimo įrankiai visuomet turi būti aštrūs ir švarūs.** Rūpestingai prižiūrėti pjovimo įrankiai su aštriomis pjovimo briaunomis mažiau stringa ir yra lengviau valdomi.
- ▶ **Elektrinį įrankį, reikmenis, keičiamuosius įrankius ir t. t. naudokite pagal šias instrukcijas. Taip pat atsižvelkite į darbo sąlygas ir atliekamo darbo pobūdį.** Elektrinius įrankius naudojant ne pagal paskirtį, gali kilti pavojingos situacijos.
- ▶ **Prižiūrėkite rankenas, kad jos ir jų laikymo paviršiai visada būtų sausi, švarūs ir neriebaluoti.** Slidžios rankenos ir jų laikymo paviršiai negali užtikrinti elektrinio įrankio saugaus naudojimo ir valdymo kontrolės nenumatytose situacijose.

#### Akumuliatorinio įrankio naudojimas ir elgesys su juo

- ▶ **Akumuliatoriams įkrauti naudokite tik tuos kroviklius, kuriuos rekomenduoja gamintojas.** Kroviklį, tinkantį tik nurodytiems akumuliatorių tipams, naudojant kitiems akumuliatoriams įkrauti, kyla gaisro pavojus.
- ▶ **Elektriniuose įrankiuose naudokite tik konkrečiai jiems skirtus akumulatorius.** Naudojant kitokius akumulatorius, kyla pavojus susižaloti ir sukelti gaisrą.
- ▶ **Nenaudojamo akumuliatoriaus nelaikykite šalia sąvaržėlių, monetų, raktų, vinių, varžtų ar kitokių smulkių metalinių daiktų, kurie galėtų trumpai sujungti akumuliatoriaus kontaktus.** Trumpai sujungus akumuliatoriaus kontaktus, yra pavojus nusideginti ar sukelti gaisrą.
- ▶ **Netinkamai naudojant akumuliatorių, iš jo gali ištekėti skystis. Venkite kontakto su šiuo skysčiu. Jei skysčio atsitiktinai pateko ant odos, nuplaukite ją vandeniu, jei pateko į akis - gerai praplaukite jas vandeniu ir nedelsdami kreipkitės į gydytoją.** Akumuliatoriaus skystis gali sudirginti arba chemiškai nudeginti odą.
- ▶ **Nenaudokite pažeisto arba perdirbto akumuliatoriaus.** Pažeisti arba perdirbti akumuliatoriai gali funkcionuoti nenumatyta, todėl gali kelti gaisro, sprogo ar sužalojimų pavojų.
- ▶ **Akumuliatorių saugokite nuo ugnies ir per aukštos temperatūros.** Ugnies arba didesnės kaip 130 °C (265 °F) temperatūros veikiamas akumuliatorius gali sprogti.
- ▶ **Laikykites visų įkrovimo instrukcijų ir akumuliatorių arba akumuliatorinį įrankį visada įkraukite tik eksploatavimo instrukcijoje nurodytame temperatūrų diapazone.** Netinkamas įkrovimas arba įkrovimas už leistino temperatūrų diapazono ribų gali sugadinti akumuliatorių ir padidinti gaisro pavojų.

#### Techninė priežiūra

- ▶ **Savo elektrinį įrankį patikėkite remontuoti tik kvalifikuotam specialistui, tam jis turi naudoti tik originalias atsargines dalis.** Taip galima užtikrinti, kad bus išlaikytas prietaiso naudojimo saugumas.



- ▶ **Niekada nevykdykite pažeistų akumuliatorių techninės priežiūros.** Bet kokią akumuliatorių techninę priežiūrą leidžiama vykdyti tik gamintoji arba įgaliotoms klientų aptarnavimo įmonėms.

## 2.2 Saugos nurodymai dirbantiems su juostiniais pjūklais

- ▶ **Jeigu vykdamas darbus keičiamasis įrankis gali paliesti paslėptus elektros laidus, elektrinį įrankį laikykite paėmę už izoliuotų laikymo paviršių.** Dėl kontakto su laidais, kuriais teka elektros srovė, metalinėse prietaiso dalyse taip pat gali atsirasti įtampa, todėl kyla elektros smūgio pavojus.

## 2.3 Papildomi saugos nurodymai

- ▶ Nekiškite rankų į pjovimo zoną ir prie pjovimo juostos. Antrąją ranką laikykite prietaiso rankeną su apsauginiu jungikliu. Kai pjūklą laiko abi rankos, pjaunant jų negalima sužaloti.
- ▶ Prietaisą ir priedus naudokite tik tada, kai jie yra techniškai tvarkingi.
- ▶ Prietaisą ir priedus draudžiama keisti ar atlikti kitokius jų pakeitimus.
- ▶ Prietaisą įjunkite tik tada, kai jį nustatėte į darbinę padėtį.
- ▶ Nelieskite besisukančių prietaiso dalių – susižalojimo pavojus!
- ▶ Būkite atsargūs pakeldami ir (arba) nešdami prietaisą, pjovimo juosta yra aštri ir gali būti pjautinių sužeidimų arba materialinių nuostolių priežastimi.
- ▶ Dirbdami su prietaisu, dėvėkite apsauginius akinius, apsauginį šalimą ir klausos apsaugos priemones.
- ▶ Keisdami įrankį mūvėkite apsaugines pirštines. Liesdami keičiamąjį įrankį galite susipjaustyti ir nusideginti rankas.
- ▶ Šlifuojant, pjaunant ir gręžiant kylančiose dulkėse gali būti pavojingų cheminių medžiagų. Štai keli pavyzdžiai: švinas ar dažai švino pagrindu, plytos, betonas ir kiti mūro statiniai, natūralus akmuo ir kiti gaminiai, kurių sudėtyje yra silikato, tam tikra mediena, ažuolas, bukas ir chemiškai apdorota mediena, asbestas arba medžiagos, kurių sudėtyje yra asbesto. Naudodamiesi medžiagų, su kuriomis dirbama, pavojingumo klase, nustatykite poveikį dirbančiajam ir aplink esantiems asmenims. Imkitės būtinų priemonių, užtikrinančių, kad poveikis liktų saugiam lygmenyje, pvz., naudokite dulkių surinkimo sistemą arba dėvėkite tinkamas kvėpavimo apsaugos priemones. Prie bendrųjų priemonių, skirtų poveikiui sumažinti, priskiriama:
  - ▶ darbas gerai vėdinamoje srityje,
  - ▶ ilgesnio kontakto su dulkelimis vengimas,
  - ▶ dulkių nuvedimas nuo veido ir kūno,
  - ▶ apsauginių drabužių dėvėjimas ir užterštų vietų nuplovimas vandeniu ir muilu.
- ▶ Juostinį pjūklą naudokite tik su tinkamai sumontuotu pjovimo juostos gaubtu.
- ▶ Vykdydami išilginio pjovimo darbus, visada naudokite atramą arba tiesią briauną kreipiamąją. Ji didina pjūvio tikslumą ir mažina pjūklelio įstrigimo tikimybę.
- ▶ Pjaunamo ruošinio niekada nelaikykite rankoje arba kita kūno dalimi. Ruošinį stabiliai užfiksukite. Labai svarbu ruošinį gerai pritvirtinti, kad būtų kuo mažesnis pavojus pjūklui prisiliesti prie kūno, užstrigti pjovimo diskui arba prietaisui tapti nebevaldomu.
- ▶ Prietaisą tvirtai laikykite abiem rankomis paėmę už tam skirtų rankenų ir rankas laikykite tokioje padėtyje, kad galėtumėte pasipriešinti atatranks jėgoms.
- ▶ Rankenas prižiūrėkite – jos visada turi būti sausas, švarios ir ant jų neturi būti alyvos ar tepalo likučių.
- ▶ Visada būkite pjūklelio šone, dirbant Jūsų kūnas neturi būti vienoje linijoje su pjūkleliu. Veikiant atatranks jėgai pjūklas gali staiga pajudėti atgal!
- ▶ Dirbdami stovėkite tvirtai, ypač atlikdami darbus virš galvos. Netikėtai prakirtę galite prarasti pusiausvyrą.
- ▶ Atlikdami prakirtimo darbus apsaugokite abi ruošinio puses. Skeveldros gali kristi ir sužaloti.
- ▶ Jei pjūklelis stringa arba Jūs nutraukiate darbus, išjunkite pjūklą ir ramiai palaikykite ruošinyje, kol pjūklelis visiškai sustos. Niekada nebandykite išimti pjūklą iš ruošinio arba traukti jį atgal, kol pjūklelis dar juda, gali kilti atatranka.
- ▶ Jei norite iš naujo įjungti pjūklą, kuris yra ruošinyje, nustatykite pjūklelį pjovimo plyšyje ir patikrinkite, ar pjūklelio dantys neužstrigę ruošinyje.
- ▶ Ypač atsargiai pajaukite angas sienose ar kitose mažai žinomose vietose. Iš viršaus įleidžiamas pjovimo diskas gali paliesti paslėptus objektus, užsiblokuoti ir sukelti atatranką.
- ▶ Dažnai darykite pertraukas ir pratimus, užtikrinančius geresnę Jūsų pirštų kraujotaką. Dirbant ilgesnį laiką, vibracijos gali sukelti pirštų, plaštakos ar riešo sąnario kraujagyslių ar nervų sistemos pažeidimus.
- ▶ Nežiūrėkite tiesiai į gaminio šviestuvą (šviesos diodą) ir nenukreipkite jo į kito žmogaus veidą. Jo šviesa akina.
- ▶ Prieš pradėdami pjauti įsitinkinkite, kad pjovimo juosta yra tinkamai sumontuota. Netinamai sumontuota pjovimo juosta gali strigti ir dėl to gali atsirasti atatranks jėga.



- ▶ Sužalojimo pavojus dėl žemyn krentančių įrankių ir (arba) priedų. Prieš pradėdami dirbti patikrinkite, ar akumulatorius ir sumontuoti priedai yra patikimai pritvirtinti.

### Apsauga nuo elektros

- ▶ Prieš pradėdami dirbti patikrinkite, ar darbo zonoje nėra paslėptų elektros laidų, dujų ar vandentiekio vamzdžių. Netyčia pažeidus elektros kabelį, dujų ar vandens vamzdį, išorinėse metalinėse prietaisų dalyse taip pat gali atsirasti įtampa, kelianti elektros smūgio pavojų, arba gali kilti sprogimo pavojus.
- ▶ Pjaustydami vamzdžius, pvz., griovimo ir instaliavimo darbų metu, įsitinkite, kad vamzdžiuose nėra skysčių, ir, jeigu reikia, vamzdžius ištuštinkite. Pjaustydami vamzdžius, prietaisą laikykite aukščiau pjaunamo vamzdžio. Prietaisas nėra apsaugotas nuo drėgmės prasiskverbimo.

### Atsargus elektrinių įrankių naudojimas ir elgesys su jais

- ▶ Naudokite tik nurodyto dydžio pjovimo juostas.
- ▶ Nenaudokite atšipusių arba pažeistų pjovimo juostų. Dėl jų padidėja trintis, pjovimo juosta stringa, ir atsiranda atitranskos jėga.
- ▶ Laikykitės gamintojo nurodymų dėl pjovimo juostų naudojimo ir saugojimo.

## 2.4 Su akumulatoriais elgtis atsargiai

- ▶ **Laikykitės žemiau pateiktų saugaus naudojimo ir darbo su ličio jonų akumulatoriais saugos nuorodų.** Nesilaikant šių nurodymų, galimas odos sudirginimas, sunkūs sužalojimai dėl išdinančių poveikio, cheminiai nudegimai, gaisro ir / arba sprogimo pavojus.
- ▶ Akumulatorius naudokite tik neprikaištingos techninės būklės.
- ▶ Kad išvengtumėte akumulatoriaus pažeidimų ir sveikatai labai kenksmingų skysčių ištekėjimo, su akumulatoriumi elkitės labai atsargiai!
- ▶ Akumulatorius draudžiama modifikuoti ar kaip nors kitaip jais manipuluoti!
- ▶ Akumulatorius draudžiama ardyti, spausti, kaitinti iki aukštesnės kaip 80 °C (176 °F) temperatūros arba deginti.
- ▶ Nenaudokite ir neįkraukite akumuliatorių, kurie buvo sutrenkti arba kaip nors kitaip pažeisti. Reguliariai tikrinkite, ar nėra akumulatoriaus pažeidimo požymių.
- ▶ Niekada nenaudokite utilizuotų arba remonuotų akumuliatorių.
- ▶ Akumulatoriaus arba akumulatorinio elektrinio įrankio niekada nenaudokite vietoje plaktuko.
- ▶ Saugokite akumulatorius nuo tiesioginių saulės spindulių, aukštesnės temperatūros, kibirkščių ir atviros ugnies. Tai gali sukelti sprogimą.
- ▶ Baterijos polių nelieskite pirštais, įrankiais, papuošalais ar kitokiais elektra laidžiais daiktai. Tai gali pažeisti akumuliatorių, taip pat padaryti materialinių nuostolių ir sužaloti.
- ▶ Saugokite akumulatorius nuo lietaus, drėgmės bei skysčių. Įsiskverbusi drėgmė gali sukelti trumpąjį jungimą, elektros smūgį, nudegimą, gaisrą ir sprogimą.
- ▶ Naudokite tik šio tipo akumulatoriams skirtus kroviklius ir elektrinius įrankius. Laikykitės atitinkamoje naudojimo instrukcijoje pateiktų duomenų.
- ▶ Nenaudokite ir nelaikykite akumulatoriaus sprogioje aplinkoje.
- ▶ Jeigu į rankas paimtas akumulatorius atrodo karštas, jis gali būti sugedęs. Padėkite akumuliatorių matomoje, nedegioje vietoje pakankamu atstumu nuo degių medžiagų. Leiskite akumuliatoriui atvėsti. Jei akumulatorius po valandos vis dar yra per karštas paimti į rankas, jis yra sugedęs. Kreipkitės į **Hilti** techninės priežiūros centrą, arba perskaitykite šį dokumentą „**Hilti** ličio jonų akumuliatorių saugos ir naudojimo nurodymai“.



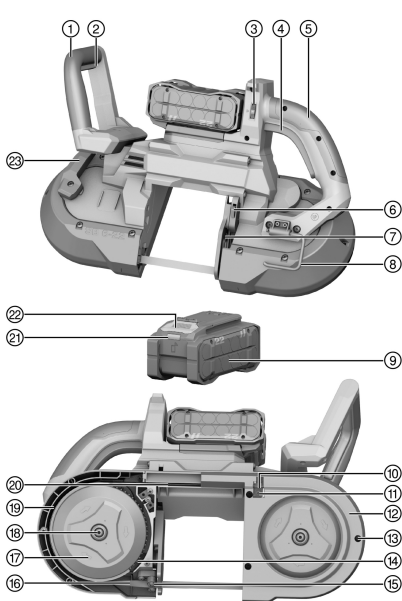
Laikykitės specialiųjų direktyvų, galiojančių ličio jonų akumuliatorių transportavimui, sandėliavimui ir naudojimui. → psl. 153

Perskaitykite **Hilti** ličio jonų akumuliatorių saugos ir naudojimo nurodymus, kuriuos rasite nusėnėvę QR kodą, esantį šios naudojimo instrukcijos gale.



### 3 Aprašymas

#### 3.1 Prietaiso vaizdas 1



- ① Rankena su apsauginiu jungikliu
- ② Apsauginis jungiklis
- ③ Sukimosi greičio perjungiklis
- ④ Valdymo jungiklis
- ⑤ Rankena su valdymo jungikliu
- ⑥ Pjovimo kreipiamosios fiksatorius
- ⑦ Pjovimo kreipiamoji
- ⑧ Pastolių kablys
- ⑨ Akumulatorius
- ⑩ Atraminė plokštė
- ⑪ Atraminės plokštės varžtas
- ⑫ Pjovimo juostos gaubtas
- ⑬ Pjovimo juostos gaubto varžtas
- ⑭ Kreipiamieji grioveliai
- ⑮ Pjovimo juostos kreipiamoji
- ⑯ Pjovimo juosta
- ⑰ Ritinėlis
- ⑱ Ritinėlio tvirtinimas
- ⑲ Guminis žiedas
- ⑳ Pjovimo juostos kreipiamasis latakas
- ㉑ Akumulatoriaus būsenos indikatorius
- ㉒ Akumulatoriaus atblokovimo mygtukas
- ㉓ Pjovimo juostos užspaudimo svirtis

#### 3.2 Naudojimas pagal paskirtį

Aprašytasis prietaisas yra akumuliatorinis juostinis pjūklas. Jis yra skirtas metalinėms gamybinėms medžiagoms ir plastikams pjaustyti.

Prietaisas yra skirtas valdyti abiem rankomis.

- Su šiuo prietaisu naudokite tik B 22 serijos **Hilti** Nuron ličio jonų akumulatorius. Optimaliam našumui **Hilti** rekomenduoja šiam prietaisui šios naudojimo instrukcijos gale esančioje lentelėje nurodytus akumulatorius.
- Šiems akumulatoriams įkrauti naudokite tik šios naudojimo instrukcijos gale esančioje lentelėje nurodytą seriją **Hilti** kroviklius.

#### 3.3 Tiekiamas komplektas

Juostinis pjūklas, naudojimo instrukcija

Daugiau Jūsų turimam prietaisui skirtų sisteminių priedų rasite vietinėje **Hilti Store** arba tinklalapyje [www.hilti.group](http://www.hilti.group)

#### 3.4 Ličio jonų akumulatoriaus rodmenys

**Hilti** Nuron ličio jonų akumulatoriai gali parodyti įkrovos būklę, pranešimus apie klaidą ir akumulatoriaus būklę.

##### 3.4.1 Įkrovos būklės ir pranešimų apie klaidas rodmenys

#### ĮSPĖJIMAS

##### Sužalojimo pavojus krentančiu akumulatoriumi!

- Kai akumulatorius įstatytas, spausdami atblokovimo mygtuką įsitikinkite, kad vėl tinkamai užfiksavote akumulatorių naudojamame prietaise.

Kad gautumėte vieną iš šių rodmenų, spustelėkite akumulatoriaus atblokovimo mygtuką.

Įkrovos būklė bei galimos triktys rodomos nuolat, kol prijungtas prietaisas yra įjungtas.





Būsena	Reikšmė
Keturi (4) šviesos diodai nuolat šviečia žaliai	Įkrovos lygis: nuo 100 iki 71 %
Trys (3) šviesos diodai nuolat šviečia žaliai	Įkrovos lygis: nuo 70 iki 51 %
Du (2) šviesos diodai nuolat šviečia žaliai	Įkrovos lygis: nuo 50 iki 26 %
Vienas (1) šviesos diodas nuolat šviečia žaliai	Įkrovos lygis: nuo 25 iki 10 %
Vienas (1) šviesos diodas lėtai mirksi žaliai	Įkrovos lygis: < 10 %
Vienas (1) šviesos diodas greitai mirksi žaliai	Ličio jonų akumuliatorius yra visiškai išsikrovęs. Akumuliatorių įkraukite. Jei šviesos diodai po akumuliatoriaus įkrovimo vis dar greitai mirksi, kreipkitės į <b>Hilti</b> techninės priežiūros centrą.
Vienas (1) šviesos diodas greitai mirksi geltonai	Ličio jonų akumuliatorius arba su juo sujungtas prietaisas yra veikiamas per didelės apkrovos, yra per karštas, per šaltas arba įvykęs kitoks gedimas. Prietaisą ir akumuliatorių nustatykite į rekomenduojamą darbinę temperatūrą ir naudodami neperkraukite prietaiso. Jei pranešimas rodomas ir toliau, prašome kreiptis į <b>Hilti</b> techninės priežiūros centrą.
Vienas (1) šviesos diodas šviečia geltonai	Ličio jonų akumuliatorius ir su juo susijęs prietaisas yra nesuderinami. Kreipkitės į <b>Hilti</b> techninės priežiūros centrą.
Vienas (1) LED šviesos diodas greitai mirksi raudonai	Ličio jonų akumuliatorius užblokuotas, jo nebegalima naudoti. Kreipkitės į <b>Hilti</b> techninės priežiūros centrą.

### 3.4.2 Akumuliatoriaus būsenos rodmenys

Norėdami užklausti apie akumuliatoriaus būklę, ilgiau nei tris sekundes spauskite atblokavimo mygtuką. Sistema neatpažįsta galimo netinkamo baterijos veikimo, kuris yra neleistino baterijos naudojimo pasekmė, pvz., jei nukritus, ją pažeidus arba esant išorinių pažeidimų dėl karščio.

Būsena	Reikšmė
Visi šviesos diodai šviečia kaip signalinės lemputės, ir po to (1) vienas šviesos diodas nuolat šviečia žalia spalva.	Akumuliatorių galima naudoti toliau.
Visi šviesos diodai šviečia kaip signalinės lemputės, ir po to (1) vienas šviesos diodas greitai mirksi geltona spalva.	Užklausa dėl akumuliatoriaus būklės negalėjo būti baigta. Procedūrą pakartokite arba kreipkitės į <b>Hilti</b> techninės priežiūros centrą.
Visi šviesos diodai šviečia kaip signalinės lemputės, ir po to (1) vienas šviesos diodas nuolat šviečia raudona spalva.	Jei prijungtą prietaisą galima naudoti toliau, likusi akumuliatoriaus talpa yra mažesnė kaip 50%. Jei prijungto prietaiso toliau naudoti nebegalima, vadinasi akumuliatoriaus eksploatavimo laikas baigėsi ir jį reikia pakeisti. Kreipkitės į <b>Hilti</b> techninės priežiūros centrą.

## 4 Techniniai duomenys

Svoris pagal EPTA Procedure 01 be akumuliatoriaus	6,5 kg
Nominalioji maitinimo įtampa	21,6 V
Tuščiosios eigos sukimosi greitis	150 m/min
Maks. pjovimo gylis	127 mm
Gaminio matmenys (Ilgis x plotis x aukštis)	525 mm x 175 mm x 375 mm
Pjovimo juostos matmenys (Ilgis x plotis x storis)	1 140 mm x 12,4 mm x 0,5 mm
Darbinė aplinkos temperatūra	-17 °C ... 60 °C
Laikymo temperatūra	-20 °C ... 70 °C



#### 4.1 Akumulatorius

Akumulatoriaus darbinė įtampa	21,6 V
Akumulatoriaus svoris	Žr. šios naudojimo instrukcijos gale.
Darbinė aplinkos temperatūra	-17 °C ... 60 °C
Laikymo temperatūra	-20 °C ... 40 °C
Akumulatoriaus temperatūra, kai pradinama įkrauti	-10 °C ... 45 °C

#### 4.2 Informacija apie triukšmą ir vibracijos reikšmės pagal EN 60745

Šiuose nurodymuose pateiktos garso slėgio ir vibracijos reikšmės yra išmatuotos taikant standartizuotą matavimo metodą ir gali būti naudojamos elektriniams įrankiams palyginti tarpusavyje. Jos taip pat tinka šių veiksmų poveikiui iš anksto įvertinti. Nurodytieji duomenys yra susieti su pagrindinėmis šio elektrinio įrankio naudojimo sritimis. Jeigu elektrinis įrankis bus naudojamas kitaip, su skirtingais keičiamaisiais įrankiais arba bus nepakankamai techniškai prižiūrimas, šie duomenys gali skirtis nuo nurodytųjų. Tai gali gerokai padidinti šių veiksmų poveikį per visą darbo laikotarpį. Norint tiksliai įvertinti poveikį, reikėtų įvertinti ir laiką, kai prietaisas yra išjungtas, arba, nors ir įjungtas, juo faktiškai nedirbama. Toks įvertinimas gali smarkiai sumažinti poveikio per visą darbo laikotarpį reikšmę. Imkitės papildomų saugos priemonių, kad darbuotojas būtų apsaugotas nuo triukšmo ir / arba vibracijos poveikio, pavyzdžiui, reikalaukite tinkamos elektrinio įrankio ir keičiamųjų įrankių techninės priežiūros, pasirūpinkite, kad darbuotojų rankos visada būtų šiltos, užtikrinkite tinkamą darbo organizavimą.

##### Informacija apie triukšmą

Garso galios lygis ( $L_{WA}$ )	86 dB(A)
Garso galios lygio paklaida ( $K_{WA}$ )	3 dB(A)
Garso slėgio lygis ( $L_{pA}$ )	75 dB(A)
Garso slėgio lygio paklaida ( $K_{pA}$ )	3 dB(A)

##### Suminės vibracijų reikšmės

Vibracijų emisijos reikšmė pjaustant metalą (ah,CM)	B 22-55	0,8 m/s <sup>2</sup>
	B 22-255	0,7 m/s <sup>2</sup>
Paklaida (K)		1,5 m/s <sup>2</sup>

## 5 Pasiruošimas darbui

### ĮSPĖJIMAS

#### Sužalojimo pavojus dėl atsitiktinio paleidimo!

- ▶ Prieš įdėdami akumuliatorių, įsitikinkite, kad atitinkamas prietaisas yra išjungtas.
- ▶ Prieš nustatydami prietaisą ar keisdami reikmenis, išimkite akumuliatorių.

Laikykites šioje instrukcijoje ir ant prietaiso pateiktų saugos nurodymų ir įspėjimų.

#### 5.1 Akumulatoriaus įkrovimas

1. Prieš pradėdami krauti, perskaitykite kroviklio naudojimo instrukciją.
2. Atkreipkite dėmesį, kad akumulatoriaus ir kroviklio kontaktai turi būti švarūs ir sausi.
3. Akumuliatorių įkraukite leistinu krovikliu. → psl. 146

#### 5.2 Akumulatoriaus įdėjimas

### ĮSPĖJIMAS

#### Sužalojimo pavojus dėl trumpojo jungimo arba krintančio akumulatoriaus!

- ▶ Prieš įdėdami akumuliatorių įsitikinkite, kad jo ir prietaiso kontaktuose nėra pašalinių daiktų.
- ▶ Įsitikinkite, kad akumulatorius visada tinkamai užsifiksavo.

1. Prieš pirmąjį kartą naudodami, akumuliatorių pilnai įkraukite.
2. Akumuliatorių stumkite į prietaisą, kol jis girdimai užsifiksuos.



3. Patikrinkite, ar akumulatorius gerai užfiksuotas prietaise.

### 5.3 Akumulatoriaus išėmimas

1. Spauskite akumulatoriaus atblokavimo mygtuką.
2. Iš gaminio išimkite akumuliatorių.

### 5.4 Pjovimo juostos keitimas

#### ĮSPĖJIMAS

**Sužalojimo pavojus dėl pjovimo juostos.** Pjovimo juosta gali būti karšta ir (arba) su aštriomis briaunomis ir tam tikromis aplinkybėmis gali nutrūkti.

- ▶ Dirbdami ir keisdami pjovimo juostą mėvėkite apsaugines pirštines ir dėvėkite apsauginius akinius.
- ▶ Naudokite juostinį pjūklą tik su tinkamai sumontuotu pjovimo juostos gaubtu.
- ▶ Panaudoto juostinio pjūklo niekada nedėkite ant degių padėklų.

#### DĖMESIO

**Materialinė žala dėl netinkamos pjovimo juostos.** Dėl netinkamos pjovimo juostos galimas priešlaikinis medžiagos nuovargis ir juostinio pjūklo pažeidimai.

- ▶ Pasirinkite juostiniam pjūkliui ir medžiagai tinkamą pjovimo juostą.
- ▶ Pasirinkite pjovimo juostą su pjaunamai medžiagai tinkamu dantų žingsniu (dantų skaičius colyje): didesnis dantų žingsnis kietoms / plonomis medžiagoms; mažesnis dantų skaičius minkštomis / plonomis medžiagoms.
- ▶ Naudokite pjovimo juostas, kurios yra tik 0,5 mm storio. Storesnės pjovimo juostos sukelia didesnę lenkimo apkrovą ir spartesnį pjovimo dantų nusidėvėjimą.
- ▶ Pasirinkite pjovimo juostą taip, kad bent du dantys būtų ant ruošinio.
- ▶ Naudokite tik tokias pjovimo juostas, kurių matmenys yra 1140 mm × 12,5 mm × 0,5 mm.

1. Atsukite abiejų pjovimo juostos gaubtų varžtus.
2. Nuimkite abu pjovimo juostos gaubtus.
3. Iki galo pasukite užspaudimo svirtį.
  - ▶ Pjovimo juosta atpalaiduojama.
4. Išimkite seną pjovimo juostą iš kreipiamosios ir ją utilizuokite.
5. Į pjovimo juostos kreipiamąją įdėkite naują pjovimo juostą.
6. Naują pjovimo juostą uždėkite aplink abu ritinėlius.
7. Į pjovimo juostos kreipiamąjį lataką įdėkite naują pjovimo juostą.
8. Patikrinkite, ar tinkamai įdėta pjovimo juosta.
9. Iki galo pasukite užspaudimo svirtį.
  - ▶ Pjovimo juosta įveržiama.
10. Uždėkite abu pjovimo juostos gaubtus.
11. Priveržkite abiejų pjovimo juostos gaubtų varžtus.

### 5.5 Apsaugos nuo kritimo iš aukščio priemonė

#### ĮSPĖJIMAS

**Sužalojimo pavojus** krentant įrankiui ir/arba papildomai įrangai!

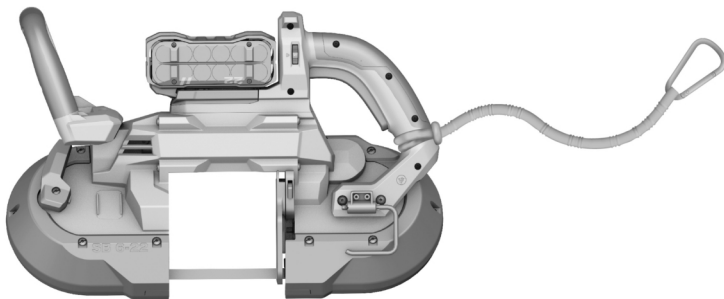
- ▶ Naudokite tik Jūsų prietaisui rekomenduojamą **Hilti** įrankio laikantįjį lyną.
- ▶ Kiekvieną kartą prieš naudodami patikrinkite įrankio laikančiojo lyno tvirtinimo taško galimus pažeidimus.



Laikykitės Jūsų šalyje galiojančių direktyvų dėl darbo aukštyje.

Šiam prietaisui kaip apsaugą nuo nukritimo naudokite tik **Hilti** įrankių laikantįjį lyną #2261971.





- ▶ Įrankių laikantįjį lyną kilpa pritvirtinkite prie prietaiso, kaip pavaizduota paveikslėlyje. Patikrinkite, ar patikimai laikosi.
- ▶ Karabino kablį pritvirtinkite prie laikančiosios struktūros. Patikrinkite, ar karabino kablys patikimai pritvirtintas.



Laikykitės **Hilti** įrankio laikančiojo lyno naudojimo instrukcijų.

## 6 Naudojimas

Laikykitės šioje instrukcijoje ir ant prietaiso pateiktų saugos nurodymų ir įspėjimų.

### 6.1 Pjovimo kreipiamosios nustatymas

1. Spauskite ir laikykite pjovimo kreipiamosios fiksatorių.
2. Pjovimo kreipiamąją pastumkite į norimą aukštį.
3. Atleiskite pjovimo kreipiamosios fiksatorių.

### 6.2 Pjovimas

#### ĮSPĖJIMAS

**Sužalojimo pavojus** dėl juostinio pjūklo atatrakos.

- ▶ Prieš pjudami pritvirtinkite roušinį, pvz., spaustuvuose.
- ▶ Juostinį pjūklą ir roušinį išlygiuokite vienas kito atžvilgiu.

#### ĮSPĖJIMAS

**Sužalojimo pavojus** dėl iš inercijos tebesisukančio pjūklo.

- ▶ Prietaisą nukelkite nuo roušinio tik tada, kai jis visiškai sustoja.
- ▶ Prieš padėdami prietaisą palaukite, kol jis visiškai sustos.

#### ĮSPĖJIMAS

**Sužalojimo pavojus dėl pjovimo juostos.** Pjovimo juosta gali būti karšta ir (arba) su aštriomis briaunomis ir tam tikromis aplinkybėmis gali nutrūkti.

- ▶ Dirbdami ir keisdami pjovimo juostą mėvėkite apsaugines pirštines ir dėvėkite apsauginius akinius.
- ▶ Naudokite juostinį pjūklą tik su tinkamai sumontuotu pjovimo juostos gaubtu.
- ▶ Panaudoto juostinio pjūklo niekada nedėkite ant degių padėklų.



## DĖMESIO

**Materialinė žala dėl netinkamos pjovimo juostos.** Dėl netinkamos pjovimo juostos galimas priešlaikinis medžiagos nuovargis ir juostinio pjūklo pažeidimai.

- ▶ Pasirinkite juostiniam pjūklui ir medžiagai tinkamą pjovimo juostą.
- ▶ Pasirinkite pjovimo juostą su pjaunamai medžiagai tinkamu dantų žingsniu (dantų skaičius colyje): didesnis dantų žingsnis kietoms / plonomis medžiagoms; mažesnis dantų skaičius minkštomis / plonomis medžiagoms.
- ▶ Naudokite pjovimo juostas, kurios yra tik 0,5 mm storio. Storesnės pjovimo juostos sukelia didesnę lenkimo apkrovą ir spartesnį pjovimo dantų nusidėvėjimą.
- ▶ Pasirinkite pjovimo juostą taip, kad bent du dantys būtų ant ruošinio.
- ▶ Naudokite tik tokias pjovimo juostas, kurių matmenys yra 1140 mm × 12,5 mm × 0,5 mm.

Reguliariai tikrinkite, ar guminis žiedas nepažeistas.

Po kiekvieno darbo nuvalykite dulkes ir pjuvenas nuo pjovimo juostos gaubtų ir pjovimo kreipiamosios, kad prailgintumėte juostinio pjūklo naudojimo laiką.



Norėdami paleisti juostinį pjūklą, turite: Pirmiausia paspausti valdymo jungiklį, o po to apsauginį jungiklį ir laikyti kartu nuspaudus.



Juostinio pjūklo savojo svorio pakanka pjūviui atlikti. Juostinio pjūklo papildomai nespauskite.

1. Prireikus pakeiskite guminį žiedą. → psl. 152
2. Prireikus pakeiskite pjovimo juostą. → psl. 149
3. Paspauskite ir laikykite paspaustą valdymo jungiklį.
4. Paspauskite ir laikykite paspaustą apsauginį jungiklį.
5. Juostinį pjūklą pridėkite prie ruošinio taip, kad kaip galima daugiau pjovimo dantų liestų ruošinį.
6. Atlikite pjovimo darbą.



Juostinį pjūklą valdykite taip, kad visada bent trys pjovimo dantys liktų pjūvyje.

7. Atleiskite valdymo jungiklį.

## 7 Prižiūra ir einamasis remontas



### ĮSPĖJIMAS

**Sužalojimo pavojus kai įstatytas akumulatorius !**

- ▶ Prieš pradėdami bet kokius techninės priežiūros ir einamojo remonto darbus, akumuliatorių iš prietaiso išimkite!

#### Prietaiso priežiūra

- Prilipusius nešvarumus atsargiai nuvalykite.
- Jei yra, vėdinimo plyšius atsargiai išvalykite sausu minkštu šepetėliu.
- Korpusą valykite tik šiek tiek sudrėkinta šluoste. Nenaudokite priemonių, kurių sudėtyje yra silikono, nes jos gali pakenkti plastikinėms detalėms.
- Prietaiso kontaktams nuvalyti naudokite švnią, sausą šluostę.

#### Ličio jonų akumuliatorių priežiūra

- Niekada nenaudokite akumulatoriaus, jei jo vėdinimo plyšiai yra užsikimšę. Vėdinimo plyšius atsargiai išvalykite sausu, minkštu šepetėliu.
- Saugokite akumuliatorių nuo bereikalingo dulkių ir nešvarumų poveikio. Saugokite akumuliatorių nuo didelės drėgmės (pvz., nepanardinkite į vandenį ir nepalikite stovėti lietuje).  
Jei akumuliatorių peršlapo, elkitės su juo kaip su pažeistu akumuliatoriumi. Izoliuokite jį nedegiamame konteineryje ir kreipkitės į **Hilti** techninės priežiūros centrą.



- Saugokite akumuliatorių nuo pašalinės alyvos ir tepalų. Saugokite, kad ant akumuliatoriaus nenusėstų dulkių ir nešvarumų. Akumuliatorių valykite sausu, minkštu šepetėliu arba švaria, sausa šluoste. Nenaudokite priemonių, kurių sudėtyje yra silikono, nes jos gali pakenkti plastikinėms detalėms. Nelieskite akumuliatoriaus kontaktų ir nepašalinkite nuo kontaktų gamykloje užtepto tepalo.
- Korpusą valykite tik šiek tiek sudrėkinta šluoste. Nenaudokite priemonių, kurių sudėtyje yra silikono, nes jos gali pakenkti plastikinėms detalėms.

### **Einamasis remontas**

- Reguliariai tikrinkite, ar matomos dalys nėra pažeistos ir ar valdymo elementai veikia nepriekaištingai.
- Nenaudokite pažeisto prietaiso arba prietaiso su veikimo trukdžiais. Prietaisą nedelsdami pristatykite remontuoti į **Hilti** techninės priežiūros centrą.
- Atlikę priežiūros ir remonto darbus uždėkite visus apsauginiai įtaisus ir patikrinkite, ar jie nepriekaištingai veikia.



Kad eksploatacija būtų patikima, naudokite tik originalias atsargines dalis ir eksploatacines medžiagas. **Hilti** aprobuotas atsargines dalis, eksploatacines medžiagas ir reikmenis savo prietaisui rasite vietinėje **Hilti Store** arba tinklalapyje [www.hilti.group](http://www.hilti.group)

### **7.1 Pjovimo juostos gaubto keitimas 5**



Pakeiskite pjovimo juostos gaubtą, vos tik pastebite pažeidimus.

1. Atsukite pjovimo juostos gaubto varžtus.
2. Nuimkite ir utilizuokite pažeistą pjovimo juostos gaubtą.
3. Uždėkite naują pjovimo juostos gaubtą ant juostinio pjūklo.
4. Pjovimo juostos gaubto varžtus priveržkite 2-3 Nm.

### **7.2 Guminio žiedo keitimas 6**



Pakeiskite guminį žiedą, vos tik pastebite pažeidimus.

1. Išmontuokite pjovimo juostą → psl. 149.
2. Išimkite guminį žiedą.
3. Patikrinkite, ar grioveluose nėra nešvarumų, ir, jeigu reikia, juos išvalykite.
4. Įtempkite naują guminį žiedą ant pjovimo juostai skirto ritinėlio.
5. Lygiuokite guminį žiedą tol, kol jis visiškai sutampa su kreipiamaisiais grioveliais.
6. Vėl sumontuokite pjovimo juostą. → psl. 149.

### **7.3 Pjovimo juostos kreipiamosios keitimas 7**



Pakeiskite pjovimo juostos kreipiamąją, vos tik pastebite pažeidimus, pvz., kai pjovimo juosta palieka išpjautą griovelį.

1. Išmontuokite pjovimo juostą → psl. 149.
2. Atsukite abu pjovimo juostos gaubto varžtus.
3. Išimkite pažeistą pjovimo juostos kreipiamąją iš juostinio pjūklo ir ją utilizuokite.
4. Įdėkite naują pjovimo juostos kreipiamąją į juostinį pjūklą.
5. Abu pjovimo juostos kreipiamosios varžtus priveržkite 2-3 Nm.
6. Vėl sumontuokite pjovimo juostą. → psl. 149.

### **7.4 Atraminės plokštės keitimas 8**



pakeiskite atraminę plokštę, vos tik pjovimo juosta šlifuoja arba užstringa.

1. Išmontuokite pjovimo juostą → psl. 149.



2. Atsukite atraminės plokštės varžtą.
3. Išimkite pažeistą atraminę plokštę iš juostinio pjūklo ir ją utilizuokite.
4. Uždėkite naują atraminę plokštę į juostinį pjūklą.
5. Atraminės plokštės varžtą priveržkite 2-3 Nm.
6. Vėl sumontuokite pjovimo juosta. → psl. 149.

## 8 Akumuliatorių įrankių ir akumuliatorių transportavimas ir sandėliavimas

### Transportavimas

#### **ATSARGIAI**

#### Atsitiktinis įjungimas transportuojant !

- ▶ Savo prietaisus visada transportuokite tik išėmę akumulatorius!
- ▶ Išimkite akumuliatorių/akumulatorius.
- ▶ Akumuliatorių niekada netransportuokite sumetę į krūvą su kitais daiktais. Transportuojamus akumulatorius būtina saugoti nuo stiprių smūgių ir vibracijos, taip pat izoliuoti nuo bet kokių elektrai laidžių medžiagų ir kitų akumuliatorių, kad jie nesiliestų su kitų akumuliatorių poliais ir nesukeltų trumpojo jungimo. **Laikykitės eksploataavimo vietoje galiojančių akumuliatorių transportavimo direktyvų.**
- ▶ Akumulatorius draudžiama siūsti paštu. Jei norite siūsti nepažeistus akumulatorius, kreipkitės į pervedimų įmonę.
- ▶ Prieš kiekvieną naudojimą ir po ilgesnio transportavimo patikrinkite, ar prietaisais ir akumulatoriais nepažeisti.

### Sandėliavimas

#### **ISPĖJIMAS**

#### Atsitiktinis pažeidimas dėl sugedusių ar išsiliejusių akumuliatorių !

- ▶ Savo prietaisus visada laikykite tik išėmę akumulatorius!
- ▶ Prietaisais ir akumuliatorių laikykite vėsioje ir sausoje vietoje. Atkreipkite dėmesį į ribines temperatūros vertes, nurodytas skyriuje "Techniniai duomenys".
- ▶ Akumulatoriaus nelaikykite ant kroviklio. Akumuliatorių visada nuimkite nuo kroviklio po įkrovimo proceso.
- ▶ Nelaikykite akumulatoriaus saulėje, ant šilumos šaltinių ar už lango stiklo.
- ▶ Prietaisą ir akumulatorius laikykite vaikams bei neįgalotiems asmenims neprieinamoje vietoje.
- ▶ Prieš kiekvieną naudojimą ir po ilgesnio sandėliavimo patikrinkite, ar prietaisais ir akumulatoriais nepažeisti.

## 9 Pagalba sutrikus veikimui

Visais sutrikimų atvejais atkreipkite dėmesį į akumulatoriaus būsenos rodmenį. Žr. skyrių **Ličio jonų akumulatoriaus rodmenys**.

Pasitaikius sutrikimų, kurie neaprašyti šioje lentelėje arba kurių negalite pašalinti patys, kreipkitės į **Hilti** techninės priežiūros centrą.

Sutrikimas	Galima priežastis	Sprendimas
Prietaisais veikia ne visa galia.	Ne iki galo nuspaustas valdymo jungiklis.	▶ Valdymo jungiklį spauskite iki galo.
Prietaisais nepavyksta įjungti.	Nenuspaustas įjungimo blokatorius.	▶ Spauskite įjungimo blokatorių.
Prietaisais neįsijungia.	Pjovimo juosta užblokuota	▶ Patikrinkite, ar pjovimo juosta buvo tinkamai sumontuota ir (arba) nėra pažeista.
Akumulatoriaus šviesos diodai nieko nerodo	Akumulatorius yra sugedęs	▶ Kreipkitės į <b>Hilti</b> techninės priežiūros centrą.



**⚠️ ĮSPĖJIMAS**

**Sužalojimo pavojus dėl netinkamo utilizavimo!** Išėinančios dujos ir ištekantys skystis kelia pavojų sveikatai.

- ▶ Pažeistų akumuliatorių nesiųskite paštu ir nepervežkite!
- ▶ Kad būtų išvengta trumpojo jungimo, jungtis uždenkite elektrai nelaidžia medžiaga.
- ▶ Akumuliatorius utilizuokite taip, kad jie negalėtų patekti į vaikų rankas.
- ▶ Akumuliatorių pristatykite utilizuoti į savo **Hilti Store** arba kreipkitės į vietinę kompetentingą utilizavimo įmonę.

🌱 Didelė **Hilti** prietaisų dalis yra pagaminta iš medžiagų, kurias galima perdirbti. Būtina antrinio perdirbimo sąlyga yra tinkamas medžiagų išrūšiavimas. Daugelyje šalių **Hilti** priims Jūsų nebenaudojamą prietaisą perdirbti. Apie tai galite pasiteirauti artimiausiame **Hilti** techninės priežiūros centre arba savo prekybos konsultanto.



- ▶ Elektrinių įrankių, elektroninių prietaisų ir akumuliatorių neišmeskite į buitinius šiukšlynus!

**11 Gamintojo teikiama garantija**

- ▶ Kilus klausimų dėl garantijos sąlygų, kreipkitės į vietinį **Hilti** partnerį.

**12 Daugiau informacijos**

Daugiau informacijos apie valdymą, techniką, aplinką ir perdirbimą rasite šiuo adresu: [qr.hilti.com/manual/?id=2354065&id=2354067](https://qr.hilti.com/manual/?id=2354065&id=2354067)

Šią nuorodą taip pat rasite dokumentacijos gale kaip QR kodą.

**Перевод оригинального руководства по эксплуатации****1 Данные руководства по эксплуатации****1.1 Об этом документе****Импортер и уполномоченная изготовителем организация**

- (RU) Российская Федерация  
АО "Хилти Дистрибьюшн ЛТД", 141402, Московская область, г. Химки, ул. Ленинградская, стр. 25, комната 15.26
- (BY) Республика Беларусь  
ИООО "Хилти БиУай", 222750, Минская область, Дзержинский район, Р-1, 18-й км, 2 (около д. Слободка), помещение 1-34
- (KZ) Республика Казахстан  
ТОО "Хилти Казахстан", 050057, г. Алматы, Бостандыкский район, ул. Тимирязева, дом 42/15, литер 012 (корпус15)
- (AM) Республика Армения  
ООО "ЭЙЧ-КОН", 0070, г. Ереван, ул. Ерванда Кочара 19/28

Страна производства: см. маркировочную табличку на оборудовании.

Дата производства: см. маркировочную табличку на оборудовании.

Соответствующий сертификат можно найти по адресу: [www.hilti.ru](http://www.hilti.ru)

Специальных требований к условиям хранения, транспортировки и использования, кроме указанных в руководстве по эксплуатации, нет.

Срок службы изделия составляет 5 лет.

- Перед началом работы изучите это руководство по эксплуатации. Это является залогом безопасной и бесперебойной работы.





- Соблюдайте указания по технике безопасности и предупреждающие указания, приведенные в этом руководстве по эксплуатации и на устройстве.
- Всегда храните руководство по эксплуатации рядом с устройством и передавайте устройство другим людям только вместе с этим руководством по эксплуатации.

## 1.2 Пояснение к знакам

### 1.2.1 Предупреждающие указания

Предупреждающие указания служат для предупреждения об опасностях при обращении с изделием. Используются следующие сигнальные слова:

#### **ОПАСНО**

##### **ОПАСНО !**

- ▶ Общее обозначение непосредственной опасной ситуации, которая влечет за собой тяжелые травмы или смертельный исход.

#### **ПРЕДУПРЕЖДЕНИЕ**

##### **ПРЕДУПРЕЖДЕНИЕ !**

- ▶ Общее обозначение потенциально опасной ситуации, которая может повлечь за собой тяжелые травмы или смертельный исход.






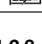
#### **ОСТОРОЖНО**

##### **ОСТОРОЖНО !**

- ▶ Общее обозначение потенциально опасной ситуации, которая может повлечь за собой травмы или повреждение оборудования (материальный ущерб).


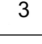
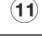

### 1.2.2 Символы, используемые в руководстве

В этом руководстве используются следующие символы:

	Соблюдать руководство по эксплуатации
	Указания по эксплуатации и другая полезная информация
	Обращение с материалами, пригодными для вторичной переработки
	Не выбрасывайте электроинструменты и аккумуляторы вместе с обычным мусором!
	<b>Hilti</b> Литий-ионный аккумулятор (Li-Ion)
	Зарядное устройство <b>Hilti</b>

### 1.2.3 Символы на изображениях

На изображениях используются следующие символы:

	Эти цифры указывают на соответствующее изображение в начале данного руководства.
	Нумерация на изображениях отображает порядок выполнения рабочих операций и может отличаться от нумерации, используемой в тексте.
	Номера позиций используются в <b>обзорном</b> изображении. В <b>обзоре изделия</b> они указывают на номера в экспликации.
	Этот знак должен привлечь особое внимание пользователя при обращении с изделием.

## 1.3 Символы в зависимости от изделия

### 1.3.1 Символы на изделии

На изделии могут использоваться следующие символы:



	Постоянный ток
	Стрелка, указывающая направление вращения
	Изделие поддерживает технологию NFC, совместимую с платформами iOS и Android.
Li-Ion	Литий-ионный аккумулятор
	Никогда не бейте по аккумулятору какими-либо предметами и никогда не используйте аккумулятор в качестве инструмента для нанесения ударов.
	Не допускайте падения аккумулятора. Не используйте аккумулятор, который получил повреждения вследствие удара или каким-либо иным образом.

## 1.4 Информация об изделии

Изделия предназначены для профессионального использования, поэтому они должны обслуживаться и ремонтироваться только уполномоченным и обученным персоналом. Этот персонал должен пройти специальный инструктаж по технике безопасности. Использование изделия и его оснастки не по назначению или его эксплуатация необученным персоналом могут представлять опасность.

Типовое обозначение и серийный номер указаны на заводской табличке.

- ▶ Перепишите серийный номер в нижеприведенную табличную форму. Данные изделия необходимы при обращении в наше представительство или сервисный центр.

### Указания к изделию

Аккумуляторная ленточная пила	SB 6-22
Поколение	01
Серийный №	

## 1.5 Декларация соответствия нормам

Настоящим фирма-изготовитель с полной ответственностью заявляет, что данное изделие соответствует действующим директивам и нормам. Копию декларации соответствия нормам см. в конце этого документа.

Техническая документация (оригиналы) хранится здесь:

Hilti Entwicklungsgesellschaft mbH | Zulassung Geräte | Hiltistraße 6 | 86916 Kaufering, Германия

## 2 Безопасность

### 2.1 Общие указания по технике безопасности для электроинструментов

**⚠ ПРЕДУПРЕЖДЕНИЕ** Изучите все указания по технике безопасности, инструкции, иллюстрации и технические данные, которые прилагаются к данному электроинструменту. Несоблюдение приводимых ниже указаний может привести к поражению электрическим током, пожару и/или тяжелым травмам.

**Сохраните все указания по технике безопасности и инструкции для следующего пользователя.**

Используемый далее термин «электроинструмент» относится к электроинструменту, работающему от электрической сети (с кабелем электропитания) и от аккумулятора (без кабеля электропитания).

#### Безопасность рабочего места

- ▶ Следите за чистотой и хорошей освещенностью на рабочем месте. Беспорядок на рабочем месте или плохое освещение могут привести к несчастным случаям.
- ▶ Не используйте электроустройство/электроинструмент во взрывоопасной зоне, где имеются горючие жидкости, газы или пыль. При работе электроустройство/электроинструмент искрит, и искры могут воспламенить пыль или пары/газы.
- ▶ Не разрешайте детям и посторонним приближаться к работающему электроустройству/электроинструменту. Отвлекаясь от работы, можно потерять контроль над электроустройством/электроинструментом.



## Электрическая безопасность

- ▶ **Соединительная вилка электроинструмента должна соответствовать розетке электросети. Не изменяйте конструкцию вилки! Не используйте переходные вилки с электроинструментами с защитным заземлением.** Использование оригинальных вилок и соответствующих им розеток снижает риск поражения электрическим током.
- ▶ **Избегайте непосредственного контакта с заземленными поверхностями, например с трубами, отопительными приборами, газо-/электропластинами и холодильниками.** При контакте с заземленными предметами возникает повышенный риск поражения электрическим током.
- ▶ **Предохраняйте электроинструменты от дождя или воздействия влаги.** В результате попадания воды в электроинструмент возрастает риск поражения электрическим током.
- ▶ **Не используйте кабель электропитания не по назначению, например для переноски электроинструмента, его подвешивания или для выдергивания вилки из розетки электросети. Защищайте кабель электропитания от воздействий высоких температур, масла, острых кромок или вращающихся деталей/узлов.** В результате повреждения или схлестывания кабелей электропитания повышается риск поражения электрическим током.
- ▶ **Если работы с электроинструментом выполняются на открытом воздухе, применяйте только удлинительные кабели, которые разрешено использовать вне помещений.** Использование удлинительного кабеля, пригодного для использования вне помещений, снижает риск поражения электрическим током.
- ▶ **Если избежать работы с электроинструментом в условиях влажности не представляется возможным, используйте автомат защиты от тока утечки.** Использование автомата защиты от тока утечки снижает риск поражения электрическим током.

## Безопасность персонала

- ▶ **Будьте внимательны, следите за своими действиями и серьезно относитесь к работе с электроинструментом. Не пользуйтесь электроинструментом, если вы устали или находитесь под действием наркотиков, алкоголя или медикаментов.** Незначительная ошибка при невнимательной работе с электроинструментом может стать причиной серьезного травмирования.
- ▶ **Используйте средства индивидуальной защиты и всегда надевайте защитные очки.** Использование средств индивидуальной защиты, например респиратора, защитной обуви на нескользящей подошве, защитной каски или защитных наушников, в зависимости от вида и условий эксплуатации электроинструмента, снижает риск травмирования.
- ▶ **Избегайте непреднамеренного включения электроинструмента. Убедитесь в том, что электроинструмент выключен, прежде чем подключить его к электропитанию и/или вставить аккумулятор, поднимать или переносить электроинструмент.** Ситуации, когда при переноске электроинструмента палец находится на выключателе или когда включенный электроинструмент подключается к электросети, могут привести к несчастным случаям.
- ▶ **Перед включением электроинструмента удалите регулировочные приспособления или гаечные ключи.** Рабочий инструмент или гаечный ключ, находящийся во вращающейся части электроинструмента, может стать причиной получения травм.
- ▶ **Старайтесь избегать неестественных поз при работе. Постоянно сохраняйте устойчивое положение и равновесие.** Это позволит лучше контролировать электроинструмент в непредвиденных ситуациях.
- ▶ **Носите спецодежду. Не надевайте очень свободную одежду или украшения. Оберегайте волосы, одежду и защитные перчатки от вращающихся узлов электроинструмента.** Свободная одежда, украшения и длинные волосы могут быть захвачены ими.
- ▶ **Если предусмотрено подсоединение устройств для удаления и сбора пыли, убедитесь в том, что они подсоединены и используются по назначению.** Использование пылеудаляющего аппарата снижает вредное воздействие пыли.
- ▶ **Не пребывайте в ложной уверенности в собственной безопасности и не пренебрегайте правилами техники безопасности для электроинструментов, даже если вы являетесь опытным пользователем электроинструмента.** Неосторожное обращение может в течение долей секунды стать причиной получения тяжелых травм.

## Использование и обслуживание электроинструмента

- ▶ **Не допускайте перегрузки электроинструмента. Используйте электроинструмент, предназначенный именно для данной работы.** Соблюдение этого правила обеспечит более высокое качество и безопасность работы в указанном диапазоне мощности.
- ▶ **Не используйте электроинструмент с неисправным выключателем.** Электроинструмент, включение или выключение которого затруднено, представляет опасность и должен быть отремонтирован.
- ▶ **Прежде чем приступить к регулировке электроинструмента, замене принадлежностей или перед перерывом в работе выньте вилку из розетки и/или аккумулятор из электроинстру-**



мента. Данная мера предосторожности позволит предотвратить непреднамеренное включение электроинструмента.

- ▶ **Храните неиспользуемые электроинструменты в местах, недоступных для детей. Не позволяйте использовать электроинструмент лицам, которые не ознакомлены с ним или не читали эти инструкции.** Электроинструменты представляют собой опасность в руках неопытных пользователей.
- ▶ **Бережно обращайтесь с электроинструментами и принадлежностями. Проверяйте безупречное функционирование подвижных частей, легкость их хода, целостность и отсутствие повреждений, которые могли бы отрицательно повлиять на работу электроинструмента. Сдавайте поврежденные части электроинструмента в ремонт до его использования.** Причиной многих несчастных случаев является несоблюдение правил технического обслуживания электроинструментов.
- ▶ **Необходимо следить за тем, чтобы режущие инструменты были острыми и чистыми.** Заклинивание содержащихся в надлежащем состоянии режущих инструментов происходит реже, ими легче управлять.
- ▶ **Применяйте электроинструмент, принадлежности (оснастку), рабочие инструменты и т. д. согласно данным указаниям. Учитывайте при этом рабочие условия и характер выполняемой работы.** Использование электроинструментов не по назначению может привести к опасным ситуациям.
- ▶ **Замасленные рукоятки и поверхности для хвата немедленно очищайте — они должны быть сухими и чистыми.** Скользкие рукоятки и поверхности для хвата не обеспечивают безопасное управление и контроль электроинструмента в непредвиденных ситуациях.

#### **Использование и обслуживание аккумуляторного инструмента**

- ▶ **Заряжайте аккумуляторы только с помощью зарядных устройств, рекомендованных изготовителем.** При использовании зарядного устройства для зарядки несоответствующих ему типов аккумуляторов существует опасность возгорания.
- ▶ **Используйте только оригинальные аккумуляторы, рекомендованные специально для этого электроинструмента.** Использование других аккумуляторов может привести к травмам и опасности возгорания.
- ▶ **Неиспользуемые аккумуляторы храните вдали от скрепок, монет, ключей, гвоздей, шурупов или других мелких металлических предметов, которые могут стать причиной замыкания контактов.** Замыкание контактов аккумулятора может привести к ожогам или возгоранию.
- ▶ **При неверном обращении с аккумулятором из него может вытечь электролит. Избегайте контакта с ним. При случайном контакте смойте водой. При попадании электролита в глаза немедленно обратитесь за помощью к врачу.** Вытекший из аккумулятора электролит может привести к раздражению кожи или ожогам.
- ▶ **Не используйте поврежденный или измененный аккумулятор.** Поврежденные или измененные аккумуляторы могут функционировать непредсказуемо и стать причиной возгорания, взрыва или травмирования.
- ▶ **Не подвергайте аккумулятор воздействию огня или слишком высоким температурам.** Огонь или температура свыше 130 °C могут спровоцировать взрыв аккумулятора.
- ▶ **Соблюдайте все указания по зарядке и никогда не заряжайте аккумулятор или аккумуляторный инструмент вне температурного диапазона, указанного в руководстве по эксплуатации.** Неправильная зарядка/зарядка вне указанного в руководстве по эксплуатации температурного диапазона могут привести к разрушению аккумулятора и повышают опасность возгорания.

#### **Сервис**

- ▶ **Доверяйте ремонт своего электроинструмента только квалифицированному персоналу, использующему только оригинальные запчасти.** Этим обеспечивается поддержание электроинструмента в безопасном состоянии.
- ▶ **Категорически запрещается выполнять обслуживание поврежденных аккумуляторов.** Все технические работы с аккумуляторами должны выполняться только производителем или авторизованными сервисными мастерскими.

#### **2.2 Указания по технике безопасности при работе с ленточными пилами**

- ▶ **При опасности повреждения рабочим инструментом скрытой электропроводки держите электроинструмент за изолированные поверхности для хвата.** При контакте с токопроводящей линией металлические части электроинструмента также находятся под напряжением, что может привести к удару электрическим током.



## 2.3 Дополнительные указания по технике безопасности

- ▶ Не приближайте руки к рабочей зоне пилы и к пильной ленте. Удерживайте второй рукой рукоятку с предохранительным выключателем. При удержании пилы обеими руками риск травмирования рук во время резки исключается.
- ▶ Используйте электроинструмент и его принадлежности только в технически исправном состоянии.
- ▶ Внесение изменений в конструкцию электроинструмента/принадлежностей или его/их модификация категорически запрещаются.
- ▶ Включайте электроинструмент только после того, как вы приведете его в рабочее положение.
- ▶ Не прикасайтесь к вращающимся деталям/узлам машины — опасность травмирования!
- ▶ Соблюдайте осторожность при подъеме и/или переноске электроинструмента — опасность порезов или материального ущерба вследствие острой режущей кромки пильной ленты.
- ▶ При выполнении работ с электроинструментом надевайте защитные очки, защитную каску и защитные наушники.
- ▶ При замене рабочего инструмента надевайте защитные перчатки. Соблюдайте осторожность при замене рабочего инструмента — контакт с ним может привести к порезам и ожогам.
- ▶ Пыль, возникающая при шлифовании, абразивной обработке, резке и сверлении, может содержать опасные химические вещества. Несколько примеров материалов, содержащих опасные вещества: свинец или краски на свинцовой основе; кирпич, бетон и другие материалы для кладки, природный камень и другие силикатсодержащие изделия; определенные виды древесины, такие как дуб, бук и химически обработанная древесина; асбест или материалы, содержащие асбест. Определите степень воздействия на оператора и окружающих лиц по классу опасности обрабатываемых материалов. Примите необходимые меры для обеспечения безопасного уровня воздействия, например, путем использования подходящих систем пылеудаления или ношения подходящих средств защиты органов дыхания. Общие меры по снижению опасного воздействия:
  - ▶ Работайте в хорошо проветриваемом помещении.
  - ▶ Избегайте длительного контакта с пылью.
  - ▶ Удаляйте пыль с лица и тела.
  - ▶ Носите защитную одежду и промывайте открытые участки, подверженные воздействию, водой с мылом.
- ▶ Во избежание травм используйте ленточную пилу только с правильно установленным защитным кожухом.
- ▶ При продольной резке всегда используйте упор или прямолинейную направляющую. Это повышает точность реза и предотвращает возможное заедание пильной ленты.
- ▶ Не держите разрезаемую заготовку в руке и не поддерживайте ее другой частью тела. Закрепляйте заготовку в надежном зажимном устройстве. Важно: во избежание опасности непосредственного контакта, заедания пильного диска или потери контроля над электроинструментом заготовку следует надежно фиксировать.
- ▶ Всегда надежно держите пилу обеими руками за предусмотренные для этого рукоятки, приняв такое положение, при котором вы сможете амортизировать отдачу электроинструмента.
- ▶ Рукоятки должны быть сухими и чистыми, не замасленными.
- ▶ Держитесь всегда сбоку от пильной ленты, избегайте рабочего положения на одной линии с ней. При обратной отдаче возможен отскок пилы!
- ▶ Обеспечьте устойчивое положение, прежде всего при выполнении работ над головой. Внезапный сквозной проход пилы насквозь может вывести вас из равновесия.
- ▶ При выполнении сквозного прохода оградите обрабатываемую заготовку с двух сторон. Обломки заготовки или инструмента могут упасть и нанести травмы.
- ▶ В случае защемления пильной ленты или во время перерывов в работе выключайте пилу и не вынимайте ее из заготовки, пока пильная лента не остановится. Никогда не пытайтесь вынуть пилу из заготовки или оттянуть ее назад, пока пильная лента находится в движении — опасность появления отдачи!
- ▶ При повторном включении пилы, которая находится в заготовке, отцентрируйте пильную ленту в резе и проверьте, не заклинило ли пильные зубья в заготовке.
- ▶ Будьте особенно осторожны при резке в стенах или в других непросматриваемых зонах. Погружаемую пильную ленту может заклинить при контакте со скрытыми помехами, вследствие чего возникнет отдача.
- ▶ Чтобы во время работы руки не затекали, время от времени делайте перерывы и упражнения для расслабления и разминки пальцев. Возникающие при длительной работе вибрации могут привести к нарушениям кровоснабжения сосудов или в нервных окончаниях пальцев/кистей рук или в запястьях.



- ▶ Запрещается прямой визуальный контакт с подсветкой (светодиодной) электроинструмента! Запрещается направлять ее в лицо другим людям — опасность временного ослепления!
- ▶ Прежде чем начинать резку, убедитесь в правильной установке пыльной ленты. Неправильно установленная пыльная лента может заклинить и вызвать отдачу.
- ▶ Опасность травмирования вследствие падения инструментов и/или принадлежностей. Перед началом работы убедитесь в том, что аккумулятор и установленная принадлежность надежно закреплены.

### **Электрическая безопасность**

- ▶ Перед началом работы проверьте рабочее место на наличие скрытой электропроводки, газо- и водопроводных труб. Открытые металлические части электроинструмента могут стать проводниками электрического тока или привести к взрыву, если случайно задеть (повредить) электропроводку, газо- или водопровод.
- ▶ При резке трубопроводов, например во время выполнения демонтажных и монтажных работ, убедитесь в том, что в них отсутствует жидкость. В случае необходимости примите меры по удалению жидкости из труб. При резке трубопроводов держите электроинструмент выше зоны резания. Электроинструмент не имеет защиты от попадания влаги.

### **Бережное обращение с электроинструментами и их правильная эксплуатация**

- ▶ Используйте пыльные ленты только предписанного размера.
- ▶ Не используйте тупые или поврежденные пыльные ленты. Их использование сопряжено с повышенным трением, заклиниванием или появлением отдачи.
- ▶ Соблюдайте указания изготовителя по обращению с пыльными лентами и их хранению.

## **2.4 Аккуратное обращение с аккумуляторами и их правильное использование**

- ▶ **Соблюдайте следующие указания по технике безопасности для безопасного обращения и использования литий-ионных аккумуляторов.** Их несоблюдение может привести к раздражениям кожи, серьезным травмам, химическим ожогам, возгоранию и/или взрывам.
- ▶ Используйте аккумуляторы только в технически исправном состоянии.
- ▶ Обращайтесь с аккумуляторами осторожно, чтобы не допустить повреждений и предотвратить выход жидкостей, представляющих серьезную опасность для здоровья!
- ▶ Категорически запрещается вносить изменения в конструкцию аккумуляторов или выполнять недопустимые манипуляции с ними!
- ▶ Запрещается разбирать, сдавливать, нагревать до температуры выше 80 °C (176 °F) или сжигать аккумуляторы.
- ▶ Не используйте или не заряжайте аккумуляторы, которые подвергались механическим (ударным) нагрузкам или получили повреждение каким-либо иным образом. Регулярно проверяйте используемые вами аккумуляторы на признаки повреждений.
- ▶ Категорически запрещается использовать восстановленные аккумуляторы или аккумуляторы после вторичной переработки.
- ▶ Категорически запрещается использовать аккумулятор или работающие от аккумулятора электроинструменты в качестве ударного инструмента.
- ▶ Категорически запрещается подвергать аккумуляторы воздействию прямого солнечного излучения, высокой температуры, искр или открытого пламени. Это может привести к взрывам.
- ▶ Не касайтесь аккумуляторных клемм (полосов) пальцами, рабочими инструментами, украшениями или иными токопроводящими предметами. Это можно повредить аккумулятор, а также привести к материальному ущербу и травмам.
- ▶ Предохраняйте аккумуляторы от дождя, повышенной влажности и жидкостей. Проникшая влага может привести к коротким замыканиям, ударам электрическим током, ожогам, возгоранию или взрывам.
- ▶ Используйте только допущенные для данного типа аккумуляторов зарядные устройства и электроинструменты. Соблюдайте указания, приводимые в соответствующих руководствах по эксплуатации.
- ▶ Не используйте или не храните аккумулятор во взрывоопасных зонах.



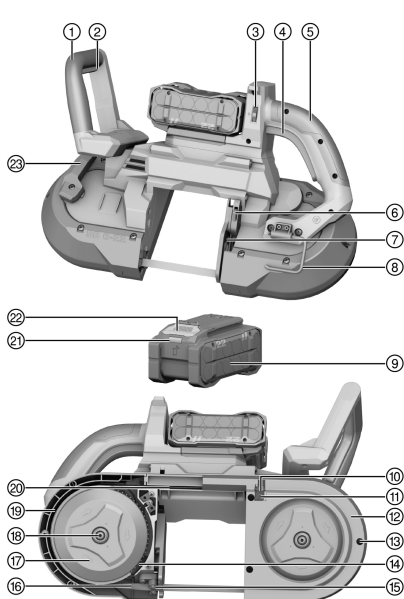
- ▶ Слишком сильный нагрев аккумулятора (такой, что до него невозможно дотронуться) указывает на его возможный дефект. Разместите аккумулятор на безопасном расстоянии от воспламеняющихся материалов в хорошо просматриваемом и пожаробезопасном месте. Дайте остыть аккумулятору. Если по истечении одного часа аккумулятор все еще остается таким горячим, что его нельзя взять в руки, это означает, что он неисправен. Обратитесь в сервисную службу **Hilti** или изучите документ «Указания по технике безопасности и использованию литий-ионных аккумуляторов **Hilti**».

**i** Соблюдайте специальные директивы по транспортировке, хранению и использованию литий-ионных аккумуляторов. → страница 169

Ознакомьтесь с указаниями по технике безопасности и использованию литий-ионных аккумуляторов **Hilti**, которые можно посмотреть путем сканирования QR-кода в конце этого руководства по эксплуатации.

### 3 Описание

#### 3.1 Обзор устройства



- ① Рукоятка с предохранительным выключателем
- ② Предохранительный выключатель
- ③ Переключатель частоты вращения
- ④ Выключатель
- ⑤ Рукоятка с выключателем
- ⑥ Фиксатор направляющей реза
- ⑦ Направляющая реза
- ⑧ Крючок для подвеса
- ⑨ Аккумулятор
- ⑩ Опорная плита
- ⑪ Винт крепления опорной плиты
- ⑫ Защитный кожух пильной ленты
- ⑬ Винт крепления защитного кожуха пильной ленты
- ⑭ Направляющие канавки
- ⑮ Направляющая пильной ленты
- ⑯ Пильная лента
- ⑰ Ролик
- ⑱ Крепление ролика
- ⑲ Резиновое кольцо
- ⑳ Направляющий желоб для пильной ленты
- ㉑ Индикатор статуса аккумулятора
- ㉒ Кнопка деблокировки аккумулятора
- ㉓ Зажимной рычаг пильной ленты

#### 3.2 Использование по назначению

Данный электроинструмент представляет собой аккумуляторную ленточную пилу. Он предназначен для резки металлических конструкционных материалов и пластика.

Электроинструмент предназначен для работы двумя руками.

- Для этого электроинструмента используйте только литий-ионные аккумуляторы **Hilti** Nuron серии В 22. Для обеспечения оптимальной мощности **Hilti** рекомендует использовать с этим электроинструментом аккумуляторы, указанные в таблице в конце этого руководства по эксплуатации.
- Для зарядки этих аккумуляторов используйте только зарядные устройства **Hilti**, указанные в таблице в конце этого руководства по эксплуатации.

#### 3.3 Комплект поставки

Ленточная пила, руководство по эксплуатации.



Другие системные принадлежности, допущенные для использования с этим устройством, вы можете найти в **Hilti Store** или на сайте **www.hilti.group**

### 3.4 Индикации состояния литий-ионного аккумулятора

Литий-ионные аккумуляторы **Hilti Nuron** оснащены светодиодами для индикации уровня заряда, сигналов ошибки и состояния батареи.

#### 3.4.1 Индикация уровня заряда и сигналов ошибки



#### ПРЕДУПРЕЖДЕНИЕ

##### Опасность травмирования вследствие падения аккумулятора!

- ▶ При вставленном аккумуляторе путем нажатия кнопки разблокировки убедитесь в правильной повторной фиксации аккумулятора в используемом электроинструменте.

Для получения одной из следующих индикаций коротко нажмите кнопку разблокировки аккумулятора. Уровень заряда, а также возможные неисправности также отображаются в течение всего времени, пока подключенный (к аккумулятору) электроинструмент включен.

Состояние	Значение
Четыре (4) светодиода непрерывно горят зеленым.	Уровень заряда: от 100 % до 71 %
Три (3) светодиода непрерывно горят зеленым.	Уровень заряда: от 70 % до 51 %
Два (2) светодиода непрерывно горят зеленым.	Уровень заряда: от 50 % до 26 %
Один (1) светодиод непрерывно горит зеленым.	Уровень заряда: от 25 % до 10 %
Один (1) светодиод мигает зеленым с низкой частотой.	Уровень заряда: < 10 %
Один (1) светодиод мигает зеленым с высокой частотой.	Литий-ионный аккумулятор полностью разряжен. Зарядите аккумулятор. Если светодиод после зарядки аккумулятора все еще мигает с высокой частотой, обратитесь в сервисную службу <b>Hilti</b> .
Один (1) светодиод мигает желтым с высокой частотой.	Литий-ионный аккумулятор или подключенный к нему электроинструмент перегружены, слишком горячие, слишком холодные или имеет место другая ошибка. Обеспечьте доведение электроинструмента и аккумулятора до рекомендуемой рабочей температуры и не перегружайте электроинструмент при его использовании. Если сигнал остается, обратитесь в сервисную службу <b>Hilti</b> .
Один (1) светодиод горит желтым.	Литий-ионный аккумулятор и сопряженный с ним электроинструмент не совместимы друг с другом. Обратитесь в сервисный центр <b>Hilti</b> .
Один (1) светодиод мигает красным с высокой частотой.	Литий-ионный аккумулятор заблокирован и его дальнейшее использование невозможно. Обратитесь в сервисный центр <b>Hilti</b> .

#### 3.4.2 Индикаторы состояния аккумулятора

Для запроса состояния аккумулятора удерживайте кнопку разблокировки нажатой в течение более 3 с. Система не распознает потенциальное нарушение работы аккумуляторной батареи вследствие неправильного обращения, например, падения, проколов, внешнего термического воздействия и т. д.

Состояние	Значение
Все светодиоды загораются в виде бегущего огня, после чего один (1) светодиод горит зеленым.	Аккумулятор можно продолжать использовать.





Состояние	Значение
Все светодиоды загораются в виде бегущего огня, после чего один (1) светодиод мигает желтым с высокой частотой.	Не удалось завершить запрос состояния аккумулятора. Повторите процесс или обратитесь в сервисную службу <b>Hilti</b> .
Все светодиоды загораются в виде бегущего огня, после чего один (1) светодиод горит красным.	В случае возможности дальнейшего использования подключенного электроинструмента оставшаяся емкость аккумулятора составляет ниже 50 %. Если подключенный электроинструмент больше использовать невозможно, ресурс аккумулятора исчерпан и аккумулятор следует заменить. Обратитесь в сервисный центр <b>Hilti</b> .

## 4 Технические данные

Масса по EPTA Procedure 01 без аккумулятора	6,5 кг
Номинальное напряжение	21,6 В
Частота вращения без нагрузки	150 м/мин
Макс. глубина реза	127 мм
Габаритные размеры изделия (длина x ширина x высота)	525 мм x 175 мм x 375 мм
Размеры пильной ленты (длина x ширина x толщина)	1 140 мм x 12,4 мм x 0,5 мм
Температура окружающей среды при эксплуатации	-17 °C ... 60 °C
Температура хранения	-20 °C ... 70 °C

### 4.1 Аккумулятор

Рабочее напряжение аккумулятора	21,6 В
Масса аккумулятора	См. в конце этого руководства по эксплуатации
Температура окружающей среды при эксплуатации	-17 °C ... 60 °C
Температура хранения	-20 °C ... 40 °C
Температура аккумулятора в начале зарядки	-10 °C ... 45 °C

### 4.2 Данные по шуму и вибрациям согласно EN 60745

Приводимые здесь значения уровня звукового давления и вибрации были измерены согласно стандартизированной процедуре измерения и могут использоваться для сравнения электроинструмента между собой. Они также подходят для предварительной оценки вредных воздействий. Указанные данные применимы к основным областям применения электроинструмента. Однако, если электроинструмент используется для других целей, с другими рабочими (сменными) инструментами или в случае его неудовлетворительного технического обслуживания, данные могут быть иными. Вследствие этого в течение всего периода работы электроинструмента возможно значительное увеличение вредных воздействий. Для точного определения вредных воздействий следует также учитывать промежутки времени, в течение которых электроинструмент находится в выключенном состоянии или работает вхолостую. Вследствие этого в течение всего периода работы электроинструмента возможно заметное уменьшение вредных воздействий. Примите дополнительные меры безопасности для защиты пользователя от воздействия возникающего шума и/или вибраций, например: техническое обслуживание электроинструмента и рабочих инструментов, сохранение тепла рук, правильная организация рабочих процессов.

#### Данные о шуме

Уровень звуковой мощности ( $L_{WA}$ )	86 дБ(А)
Погрешность уровня звуковой мощности ( $K_{WA}$ )	3 дБ(А)
Уровень звукового давления ( $L_{pA}$ )	75 дБ(А)
Погрешность уровня звукового давления ( $K_{pA}$ )	3 дБ(А)



**Общие значения вибрации**

Значение вибрации при резке металла (ah,CM)	<b>B 22-55</b>	0,8 м/с <sup>2</sup>
	<b>B 22-255</b>	0,7 м/с <sup>2</sup>
Погрешность (K)		1,5 м/с <sup>2</sup>

**5 Подготовка к работе****ПРЕДУПРЕЖДЕНИЕ****Опасность травмирования вследствие непреднамеренного пуска!**

- ▶ Перед установкой аккумулятора убедитесь в том, что соответствующий электроинструмент выключен.
- ▶ Прежде чем приступить к регулировке электроинструмента или замене принадлежностей выньте аккумулятор из электроинструмента.

Соблюдайте указания по технике безопасности и предупреждающие указания, приводимые в данном документе и на изделии.

**5.1 Зарядка аккумулятора**


1. Перед зарядкой изучите руководство по эксплуатации зарядного устройства.
2. Убедитесь в том, что контакты аккумулятора и зарядного устройства чистые и сухие.
3. Заряжайте аккумулятор только в допущенном к эксплуатации зарядном устройстве. → страница 161

**5.2 Установка аккумулятора****ПРЕДУПРЕЖДЕНИЕ****Опасность травмирования вследствие короткого замыкания или падения аккумулятора!**

- ▶ Перед установкой аккумулятора убедитесь в чистоте его контактов и контактов электроинструмента.
  - ▶ Всегда проверяйте, правильно ли зафиксирован аккумулятор.
1. Перед первым вводом в эксплуатацию полностью зарядите аккумулятор.
  2. Прижмите аккумулятор так, чтобы он зафиксировался в аккумуляторном отсеке с характерным щелчком.
  3. Проверьте надежность фиксации аккумулятора.

**5.3 Извлечение аккумулятора**

1. Нажмите кнопку деблокировки аккумулятора.
2. Извлеките аккумулятор из инструмента.

**5.4 Замена пильной ленты ****ПРЕДУПРЕЖДЕНИЕ**

**Опасность травмирования вследствие пильной ленты.** Пильная лента может нагреваться и/или иметь острые режущие кромки. При определенных обстоятельствах также возможен ее обрыв.

- ▶ Надевайте защитные перчатки и защитные очки при выполнении работ и замене пильной ленты.
- ▶ Используйте ленточную пилу только с правильно установленным защитным кожухом.
- ▶ Категорически запрещается укладывать ленточную пилу после работы на воспламеняемые основания.



**ВНИМАНИЕ**

**Материальный ущерб вследствие неподходящей пильной ленты.** Использование неподходящей пильной ленты может привести к преждевременной усталости материала и повреждениям ленточной пилы.

- ▶ Выберите подходящую пильную ленту для ленточной пилы и обрабатываемого материала.
- ▶ Выберите пильную ленту с правильным шагом зубьев (зубьев на дюйм) для обрабатываемого материала: для резки твердых/тонких материалов — увеличенный шаг зубьев; для резки мягких/толстых материалов — уменьшенный шаг зубьев.
- ▶ Используйте только пильные ленты толщиной 0,5 мм. Использование пильных лент большей толщины приводит к увеличению изгибающей нагрузки и более быстрому износу пильных зубьев.
- ▶ Выбирайте пильную ленту с таким расчетом, чтобы для резки заготовки одновременно задействовалось не менее двух зубьев.
- ▶ Используйте только пильные ленты размером 1140 × 12,5 × 0,5 мм.

1. Отпустите винты крепления обоих защитных кожухов пильной ленты.
2. Снимите оба кожуха.
3. Поверните зажимной рычаг до упора.
  - ▶ Пильная лента разблокируется.
4. Извлеките бывшую в использовании пильную ленту из направляющей и утилизируйте ее.
5. Уложите новую пильную ленту в направляющую.
6. Обведите новую пильную ленту вокруг обоих роликов.
7. Уложите новую пильную ленту в направляющий желоб.
8. Проверьте правильность посадки пильной ленты.
9. Поверните зажимной рычаг до упора.
  - ▶ Пильная лента натянется.
10. Установите оба защитных кожуха пильной ленты.
11. Затяните винты крепления обоих кожухов.

## 5.5 Защита от падения

**ПРЕДУПРЕЖДЕНИЕ**

**Опасность травмирования** вследствие падения электроинструмента и/или принадлежности!

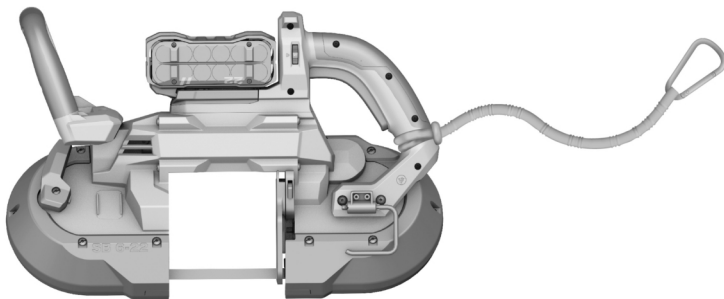
- ▶ Используйте только предусмотренный для этого электроинструмента удерживающий трос **Hilti** для инструментов.
- ▶ Перед каждым использованием проверяйте точку крепления удерживающего троса для инструментов на возможные повреждения.



Соблюдайте национальные директивы по выполнению высотных работ.

Для защиты от падения используйте для этого электроинструмента только удерживающий трос для инструментов **Hilti** #2261971.





- ▶ Закрепляйте удерживающий трос на электроинструменте с помощью петли только так, как показано на изображении. Проверьте надежность фиксации.
- ▶ Закрепляйте крючок-карабин на несущей конструкции. Проверьте надежность фиксации крючка-карабина.



Соблюдайте указания из руководств по эксплуатации удерживающего троса для инструментов Hilti.

## 6 Управление

Соблюдайте указания по технике безопасности и предупреждающие указания, приводимые в данном документе и на изделии.

### 6.1 Регулировка направляющей реза

1. Нажмите и удерживайте фиксатор на направляющей реза.
2. Передвиньте направляющую реза на нужную высоту.
3. Отпустите фиксатор направляющей реза.

### 6.2 Резка 3, 4



#### ПРЕДУПРЕЖДЕНИЕ

**Опасность травмирования** вследствие отдачи ленточной пилы.

- ▶ Закрепляйте заготовку, например в тисках, прежде чем начинать резку.
- ▶ Выравнивайте положение ленточной пилы и заготовки относительно друг друга.



#### ПРЕДУПРЕЖДЕНИЕ

**Опасность травмирования** работающей по инерции пилой.

- ▶ Отводите электроинструмент от заготовки только после его полной остановки.
- ▶ Дождитесь, пока электроинструмент полностью не остановится, прежде чем отложить его в сторону.



#### ПРЕДУПРЕЖДЕНИЕ

**Опасность травмирования вследствие пильной ленты.** Пильная лента может нагреваться и/или иметь острые режущие кромки. При определенных обстоятельствах также возможен ее обрыв.

- ▶ Надевайте защитные перчатки и защитные очки при выполнении работ и замене пильной ленты.
- ▶ Используйте ленточную пилу только с правильно установленным защитным кожухом.
- ▶ Категорически запрещается укладывать ленточную пилу после работы на воспламеняемые основания.



**⚠ ВНИМАНИЕ**

**Материальный ущерб вследствие неподходящей пильной ленты.** Использование неподходящей пильной ленты может привести к преждевременной усталости материала и повреждениям ленточной пилы.

- ▶ Выберите подходящую пильную ленту для ленточной пилы и обрабатываемого материала.
- ▶ Выберите пильную ленту с правильным шагом зубьев (зубьев на дюйм) для обрабатываемого материала: для резки твердых/тонких материалов — увеличенный шаг зубьев; для резки мягких/толстых материалов — уменьшенный шаг зубьев.
- ▶ Используйте только пильные ленты толщиной 0,5 мм. Использование пильных лент большей толщины приводит к увеличению изгибающей нагрузки и более быстрому износу пильных зубьев.
- ▶ Выбирайте пильную ленту с таким расчетом, чтобы для резки заготовки одновременно задействовалось не менее двух зубьев.
- ▶ Используйте только пильные ленты размером 1140 × 12,5 × 0,5 мм.

Регулярно проверяйте резиновое кольцо на отсутствие повреждений.

После каждой резки очищайте защитные кожухи пильной ленты и направляющую реза от пыли и опилок, чтобы продлить срок службы ленточной пилы.



Порядок запуска ленточной пилы: сначала нажмите основной, а затем предохранительный выключатель и удерживайте их одновременно нажатыми.



Для выполнения реза достаточно собственного веса ленточной пилы. Поэтому не оказывайте дополнительного давления на нее.

1. При необходимости замените резиновое кольцо. → страница 168
2. При необходимости замените пильную ленту. → страница 164
3. Нажмите выключатель и удерживайте его нажатым.
4. Нажмите предохранительный выключатель и удерживайте его нажатым.
5. Приставьте ленточную пилу к заготовке таким образом, чтобы на поверхности заготовки находилось как можно больше пильных зубьев.
6. Выполните резку.



Ведите ленточную пилу таким образом, чтобы в резе всегда находилось по меньшей мере три пильных зуба.

7. Отпустите выключатель.

## 7 Уход и техническое обслуживание

**⚠ ПРЕДУПРЕЖДЕНИЕ**

**Опасность травмирования при установленном аккумуляторе !**

- ▶ Перед проведением любых работ по уходу и обслуживанию всегда извлекайте аккумулятор!

### Уход за электроинструментом

- Удаляйте налипшую грязь с осторожностью.
- Осторожно очищайте вентиляционные прорези (при наличии) сухой мягкой щеткой.
- Очищайте корпус только слегка увлажненной тканью. Не используйте средства по уходу с содержанием силикона, поскольку они могут повредить пластиковые детали.
- Для очистки контактов электроинструмента используйте чистую сухую тряпку.

### Уход за литий-ионными аккумуляторами

- Категорически запрещается использовать аккумулятор с забитыми вентиляционными прорезьями. Осторожно очистите вентиляционные прорези сухой мягкой щеткой.
- Не допускайте чрезмерного запыления или загрязнения аккумулятора. Категорически запрещается подвергать аккумулятор чрезмерному воздействию влаги (например, опускать его в воду или оставлять под дождем).

Если аккумулятор промокнет, обращайтесь с ним, как с поврежденным. Поместите его в контейнер из негорючего материала и обратитесь в сервисную службу **Hilti**.



- Аккумулятор должен быть чистым, без следов масла и смазки. Не допускайте чрезмерного скопления пыли или грязи на аккумуляторе. Очищайте аккумулятор сухой мягкой кистью или чистой и сухой тряпкой. Не используйте средства по уходу с содержанием силикона, поскольку они могут повредить пластиковые детали.

Не прикасайтесь к контактам аккумулятора и не удаляйте с них смазку, нанесенную на заводе.

- Очищайте корпус только слегка увлажненной тканью. Не используйте средства по уходу с содержанием силикона, поскольку они могут повредить пластиковые детали.

#### Техническое обслуживание

- Регулярно проверяйте все видимые части электроинструмента на отсутствие повреждений, а элементы управления — на исправное функционирование.
- При повреждениях и/или функциональных сбоях не используйте электроинструмент. Незамедлительно сдайте его для ремонта в сервисный центр **Hilti**.
- После ухода за электроинструментом и его технического обслуживания установите все защитные приспособления на место и проверьте их исправное функционирование.



Для обеспечения безопасной эксплуатации используйте только оригинальные запасные части и расходные материалы. Допущенные **Hilti** запасные части, расходные материалы и принадлежности для этого электроинструмента вы можете найти в **Hilti Store** или на: [www.hilti.group](http://www.hilti.group)

### 7.1 Замена защитного кожуха пильной ленты 5



Заменяйте защитный кожух пильной ленты при обнаружении его повреждений.

1. Отпустите винты защитного кожуха пильной ленты.
2. Снимите поврежденный защитный кожух пильной ленты и утилизируйте его.
3. Установите новый защитный кожух пильной ленты на ленточную пилу.
4. Затяните винты защитного кожуха пильной ленты с моментом 2–3 Нм.

### 7.2 Замена резинового кольца 6



Заменяйте резиновое кольцо при обнаружении повреждений.

1. Снимите пильную ленту → страница 164.
2. Извлеките резиновое кольцо.
3. Проверьте направляющие канавки на отсутствие загрязнений и при необходимости очистите их.
4. Натяните новое резиновое кольцо на ролик для пильной ленты.
5. Центрируйте резиновое кольцо так, чтобы оно было заподлицо с направляющими канавками.
6. Установите пильную ленту на место. → страница 164.

### 7.3 Замена направляющей пильной ленты 7



Заменяйте направляющую пильной ленты при обнаружении повреждений, например в случае неровных кромок реза/сколов после прохода пильной ленты.

1. Снимите пильную ленту → страница 164.
2. Отпустите оба винта крепления направляющей пильной ленты.
3. Извлеките из ленточной пилы поврежденную направляющую пильной ленты и утилизируйте ее.
4. Установите в ленточную пилу новую направляющую пильной ленты.
5. Затяните оба винта крепления направляющей пильной ленты с моментом 2–3 Нм.
6. Установите пильную ленту на место. → страница 164.

### 7.4 Замена опорной плиты 8



Заменяйте опорную плиту в случае притирания пильной ленты или ее заедания.



1. Снимите пыльную ленту → страница 164.
2. Отпустите винт крепления опорной плиты.
3. Извлеките из ленточной пилы поврежденную опорную плиту и утилизируйте ее.
4. Установите в ленточную пилу новую опорную плиту.
5. Затяните винты крепления опорной плиты с моментом 2–3 Нм.
6. Установите пыльную ленту на место. → страница 164.

## 8 Транспортировка и хранение аккумуляторных инструментов и аккумуляторов

### Транспортировка

#### ОСТОРОЖНО

#### Непреднамеренное включение в ходе транспортировки !

- ▶ При транспортировке своих электроинструментов всегда отсоединяйте от них аккумуляторы!
- ▶ Извлеките аккумулятор(ы).
- ▶ Категорически запрещается транспортировать аккумуляторы без упаковки (бестарным способом). Во время транспортировки необходимо принять меры по защите аккумуляторов от сильных ударов и вибраций и изолировать их от любых токопроводящих материалов или других аккумуляторов, чтобы не допустить их контакта с клеммами других аккумуляторов и, как следствие этого, короткого замыкания. **Соблюдайте действующие предписания по транспортировке аккумуляторов.**
- ▶ Запрещается пересылать аккумуляторы по почте. Обратитесь в транспортно-экспедиционную компанию, если вы хотите переслать поврежденные аккумуляторы.
- ▶ Перед каждым использованием, а также перед длительной транспортировкой и после нее проверьте электроинструмент и аккумуляторы на отсутствие повреждений.

### Хранение

#### ПРЕДУПРЕЖДЕНИЕ

#### Непреднамеренное повреждение вследствие неисправных или протекающих аккумуляторов !

- ▶ При хранении своих электроинструментов всегда отсоединяйте от них аккумуляторы!
- ▶ По возможности храните фонарь и аккумуляторы в сухом и прохладном месте. Соблюдайте ограничения по температуре, приводимые в технических характеристиках.
- ▶ Не храните аккумуляторы на зарядном устройстве. После зарядки всегда извлекайте аккумулятор из зарядного устройства.
- ▶ Никогда не оставляйте аккумуляторы на солнце, на нагревательных/отопительных элементах или за стеклом.
- ▶ Храните фонарь и аккумуляторы в недоступном для детей и посторонних лиц месте.
- ▶ Перед каждым использованием, а также перед длительным хранением и после него проверяйте электроинструмент и аккумуляторы на отсутствие повреждений.

## 9 Помощь при неисправностях

При возникновении любых неисправностей обращайтесь внимание на индикацию состояния аккумулятора. См. главу **Индикации состояния литий-ионного аккумулятора**.

В случае неисправностей, которые не указаны в этой таблице или которые вы не можете устранить самостоятельно, обращайтесь в ближайший сервисный центр **Hilti**.


Неисправность	Возможная причина	Решение
Электроинструмент работает не на полную мощность.	Не полностью нажат выключатель.	▶ Нажмите выключатель до упора.
Электроинструмент не включается.	Кнопка блокировки включения не нажата.	▶ Нажмите кнопку блокировки включения.
Электроинструмент не включается.	Пыльная лента заблокирована	▶ Проверьте, правильно ли установлена пыльная лента и/или не повреждена ли она.
Светодиодные индикаторы аккумулятора ничего не показывают	Дефект аккумулятора	▶ Обратитесь в сервисный центр <b>Hilti</b> .



**⚠ ПРЕДУПРЕЖДЕНИЕ**

**Опасность травмирования вследствие неправильной утилизации!** Опасность для здоровья вследствие выхода газов или жидкостей.

- ▶ Не пересылайте поврежденные аккумуляторы!
- ▶ Закрывайте аккумуляторные контакты не проводящим ток материалом, чтобы избежать коротких замыканий.
- ▶ Утилизируйте аккумуляторы так, чтобы исключить их попадание в руки детей.
- ▶ Утилизируйте аккумулятор через ближайший **Hilti Store** или обратитесь в специализированную фирму по утилизации.

 Большинство материалов, из которых изготовлены изделия **Hilti**, подлежат вторичной переработке. Перед утилизацией следует тщательно рассортировать материалы (для удобства их последующей переработки). Во многих странах фирма **Hilti** уже организовала прием бывших в использовании электрических и электронных устройств (инструментов, приборов) для утилизации. Дополнительную информацию по этому вопросу можно получить в отделе по обслуживанию клиентов или у консультантов по продажам фирмы **Hilti**.



- ▶ Не выбрасывайте электрические инструменты, электронные устройства/приборы и аккумуляторы вместе с обычным мусором!

**11 Гарантия производителя**

- ▶ С вопросами по поводу гарантийных условий обращайтесь в ближайшее представительство **Hilti**.

**12 Дополнительная информация**

Дополнительную информацию по эксплуатации, техническому оснащению, защите окружающей среды и повторному использованию см. по следующей ссылке: [qr.hilti.com/manual/?id=2354065&id=2354067](http://qr.hilti.com/manual/?id=2354065&id=2354067)  
Эта ссылка также приводится в конце документа в виде QR-кода.

**Түпнұсқа пайдалану бойынша нұсқаулық****1 Пайдалану бойынша нұсқаулық туралы мәліметтер****1.1 Бұл құжаттама туралы****Импорттауыш және өндірушінің өкілетті ұйымы**

- (RU) Ресей Федерациясы  
"Хилти Дистрибьюшн ЛТД" АҚ, 141402, Мәскеу облысы, Химки қ., Ленинградская к-сі, 25-бет, 15.26-құрылымы
- (BY) Беларусь Республикасы  
"Хилти БиУай" ЖШС, 222750, Минск облысы, Дзержин ауданы, Р-1, 18 км, 2 (Слободка ауылының жанында), 1-34 құрылымы
- (KZ) Қазақстан Республикасы  
"Хилти Қазақстан" ЖШС, 050057, Алматы қ., Бостандық ауданы, Тимирязев к-сі, 42/15 үй, литер 012 (15 корпус)
- (KG) Қырғыз Республикасы  
"Т AND Т" ЖШҚ, 720021, Қырғызстан, Бішкек қ., Ибраимов көш., 29 А үйі
- (AM) Армения Республикасы  
"ЭЙЧ-КОН" ЖШҚ, 0070, Ереван қ., Ерманда Кочар к-сі, 19/28

Өндiрiлген елi: жабдықтағы белгiлеу тақтайшасын қараңыз.

Өндiрiлген күнi: жабдықтағы белгiлеу тақтайшасын қараңыз.





Тиісті сертификатты мына мекенжай бойынша табуға болады: [www.hilti.ru](http://www.hilti.ru)

Сақтау, тасымалдау және пайдалану шарттарына пайдалану бойынша нұсқаулықта белгіленгеннен басқа арнайы талаптар қойылмайды.

Өнімнің қызмет ету мерзімі 5 жыл.

- Іске қосу алдында осы пайдалану бойынша нұсқаулықты оқып шығыңыз. Бұл қауіпсіз жұмыс пен ақаусыз басқару үшін алғышарт болып табылады.
- Осы пайдалану бойынша нұсқаулықтағы және өнімдегі қауіпсіздік және ескерту нұсқауларын орындаңыз.
- Пайдалану бойынша нұсқаулықты әрдайым өнімде сақтаңыз және өнімді басқа тұлғаларға тек осы пайдалану бойынша нұсқаулықпен бірге тапсырыңыз.

## 1.2 Шартты белгілердің анықтамасы

### 1.2.1 Ескерту

Ескертулер өнімді қолдану барысындағы қауіптер туралы ескертеді. Төмендегі сигналдық сөздер пайдаланылады:



**ҚАУІПТІ**

**ҚАУІПТІ !**

- ▶ Ауыр жарақаттарға әкелетін немесе өмірге қауіп төндіретін тікелей қауіпті жағдайдың жалпы белгіленуі.



**ЕСКЕРТУ**

**ЕСКЕРТУ !**

- ▶ Ауыр жарақаттарға әкелуі немесе өмірге қауіп төндіруі мүмкін ықтимал қауіпті жағдайдың жалпы белгіленуі.



**АБАЙЛАҢЫЗ**

**АБАЙЛАҢЫЗ !**

- ▶ Жарақат алуға немесе мүліктің зақымдалуына әкелуі мүмкін ықтимал қауіпті жағдайдың жалпы белгіленуі.

### 1.2.2 Пайдалану бойынша нұсқаулықтағы белгілер

Бұл пайдалану бойынша нұсқаулықта төмендегі белгілер пайдаланылады:

	Пайдалану бойынша нұсқаулықты ұстану
	Аспапты пайдалану бойынша нұсқаулар және басқа пайдалы ақпарат
	Қайта пайдалануға болатын материалдармен жұмыс істеу
	Электр аспаптарды және аккумуляторларды тұрмыстық қоқысқа тастамаңыз
	<b>Hilti</b> Li-Ion аккумуляторы
	<b>Hilti</b> зарядтағыш құрылғысы

### 1.2.3 Суреттердегі белгілер

Суреттерде төмендегі белгілер қолданылады:

	Бұл сандар осы пайдалану бойынша нұсқаулықтың басындағы тиісті суретке сәйкес келеді.
	Нөмірлеу суреттегі жұмыс қадамдарының реттілігін білдіреді және мәтіндегі жұмыс қадамдарынан өзгешеленуі мүмкін.
	Позиция нөмірлері <b>Шолу</b> суретінде қолданылады және <b>Өнімге шолу</b> мақаласындағы шартты белгілердің нөмірлеріне сілтейді.
	Аталмыш белгілер өнімді қолдану барысында айрықша назарыңызды аудартады.



### 1.3 Өнімге қатысты белгілер

#### 1.3.1 Өнімдегі белгілер

Өнімде төмендегі белгілер пайдаланылуы мүмкін:

	Тұрақты ток
	Айналу бағытының көрсеткісі
	Өнім iOS және Android платформаларымен үйлесімді NFC технологиясын қолдайды.
Li-Ion	Литий-иондық аккумулятор
	Ешқашан бөгде зат пен аккумулятордың соқтығысуына жол бермеңіз және аккумуляторды соқпа құрал ретінде пайдаланбаңыз.
	Аккумуляторды құлатып жібермеңіз. Соққы тиген немесе басқа жолмен зақымдалған аккумуляторды пайдаланбаңыз.

### 1.4 Өнім туралы ақпарат

өнімдері кәсіби пайдаланушыларға арналған және оларды тек қана өкілетті, білікті қызметкерлер пайдалануы, күтім және техникалық қызмет көрсетуі тиіс. Қызметкерлер қауіпсіздік техникасы бойынша арнайы нұсқау алуы керек. Өнім мен оның қосалқы құралдарын басқа мақсатта қолдану немесе олардың оқытылмаған қызметкерлердің тарапынан пайдаланылуы қауіпті.

Түр сипаттамасы мен сериялық нөмір фирмалық тақтайшада берілген.

- Сериялық нөмірді төмендегі кестеге көшіріп қойыңыз. Өнім туралы мәліметтерді өкілдігімізге немесе қызмет көрсету бөлімімізге сұрау беру арқылы алуға болады.

#### Өнім туралы мәліметтер

Аккумуляторлық таспалы ара	SB 6-22
Буын	01
Сериялық нөмір	

### 1.5 Сәйкестілік декларациясы

Өндіруші осы нұсқаулықта сипатталған өнімнің қолданыстағы заңнамаға және қолданыстағы стандарттарға сәйкес екендігін толық жауапкершілікпен жариялайды. Сәйкестілік декларациясының суреті осы құжаттаманың соңында орналасқан.

Техникалық құжаттама мына жерде сақталған:

Hilti Entwicklungsgesellschaft mbH | Zulassung Geräte | Hiltistraße 6 | 86916 Kaufering, DE

## 2 Қауіпсіздік

### 2.1 Электр құралдары үшін қауіпсіздік техникасы бойынша жалпы нұсқаулар

**⚠ ЕСКЕРТУ** Бұл электр құралына арналған барлық қауіпсіздік нұсқауларын, нұсқауларды, суреттерді және техникалық деректерді оқып шығыңыз. Төменде берілген нұсқауларды орындамау электр тогының соғуына, өртке әкелуі мүмкін және/немесе ауыр жарақаттарды тудыруы мүмкін.

**Қауіпсіздік техникасы бойынша барлық нұсқауларды және нұсқауларды келесі пайдаланушы үшін сақтаңыз.**

Қауіпсіздік нұсқауларында қолданылатын «электр құралы» термині электр желісінен (желілік кабельмен) және аккумулятордан (желілік кабельсіз) жұмыс істейтін электр құралын білдіреді.

#### Жұмыс орны

- **Жұмыс орнындағы тазалықты және тәртіпті қадағалаңыз.** Жұмыс орнындағы ретсіздік және нашар жарық сәтсіз жағдайларға әкелуі мүмкін.
- **Жанғыш сұйықтықтар, газдар немесе шаң бар жарылыс қаупі бар аймақта электр құралын қолданбаңыз.** Жұмыс кезінде электр құралдары ұшқындар шығады және ұшқындар шаңды немесе буларды тұтандыруы мүмкін.
- **Балалардың және бөгде адамдардың жұмыс істеп тұрған электр құралына жақындауына рұқсат етпеңіз.** Жұмысқа көңіл бөлмегенде, электр құралын бақылау жоғалуы мүмкін.



### Электр қауіпсіздігі

- ▶ **Электр құралдың байланыс ашасы электр желісінің розеткасына сай болуы керек. Айырдың конструкциясын өзгертпеңіз. Қорғауыш жерге қосуы бар электр құралдарымен бірге өтпелі айырларды қолданбаңыз.** Түпнұсқа айырлар және оларға сай розеткалар электр тогының соғу қаупін азайтады.
- ▶ **Жерге қосылған беттерге, мысалы, құбырларға, жылыту құралдарына, пештерге (плиталарға) және тоңазытқыштарға тікелей тиюді болдырмаңыз.** Жерге қосылған заттарға тигенде электр тогының соғуының үлкен қаупі туындайды.
- ▶ **Электр құралдарды жаңбырдан немесе ылғал әсерінен сақтаңыз.** Электр құралға су тиюі нәтижесінде электр тогының соғу қаупі артады.
- ▶ **Байланыс сымын басқа мақсатта қолданбаңыз, мысалы, электр құралды тасымалдау, оны іліп қою немесе электр желісінің розеткасынан айырды шығару үшін.** Байланыс сымын жылу, май, өткір жиектер немесе жылжымалы бөліктерден алшақ ұстаңыз. Байланыс сымының зақымдалуы немесе қабаттасуы нәтижесінде электр тогының соғу қаупі артады.
- ▶ **Егер жұмыстар ашық ауада орындалса, тек бөлмелерден тыс қолдануға рұқсат етілген ұзартқыш сымдарды пайдаланыңыз.** Бөлмелерден тыс қолдануға жарамды ұзартқыш сымды пайдалану электр тогының соғу қаупін азайтады.
- ▶ **Егер электр құралмен ылғалдылық жағдайларында жұмыс істеуді болдырмау мүмкін емес болса, шығып кететін токтан қорғау автоматын қолданыңыз.** Шығып кететін токтан қорғау автоматын қолдану электр тогының соғу қаупін азайтады.

### Адамдардың қауіпсіздігі

- ▶ **Ұқыпты болыңыз, әрекеттеріңізге көңіл бөліңіз және электр құралымен жұмыс істеуге дұрыс қараңыз.** Шаршаған кезде немесе есірткі, алкоголь не дәрі қабылдаған соң электр құралын қолданбаңыз. Электр құралын қолданған кездегі зейінсіздік ауыр жарақаттарға апарып соғуы мүмкін.
- ▶ **Жеке қорғану құралдарын пайдаланыңыз және әрқашан міндетті түрде қорғауыш көзділдікті киіңіз.** Электр құралының түріне және пайдалану жағдайларына байланысты жеке қорғану құралдарын, мысалы, шаңнан қорғайтын респираторды, сырғымайтын аяқ киімді, қорғауыш шлемді, естуді қорғау құралдарын қолдану жарақаттану қаупін азайтады.
- ▶ **Электр құралының кездейсоқ қосылуын болдырмаңыз.** Электр қуатына қосу және/немесе аккумуляторды қою, көтеру немесе тасымалдау алдында электр құралы өшірілгеніне көз жеткізіңіз. Электр құралын тасымалдағанда саусақтар сөндіргіште болатын немесе қосылған электр құралы желіге қосылатын жағдайлар сәтсіз жағдайларға әкелуі мүмкін.
- ▶ **Электр құралын қосу алдында реттеуші құрылғыларды және гайка кілтін алыңыз.** Электр құралының айналатын бөлігіндегі аспап немесе кілт жарақаттарға әкелуі мүмкін.
- ▶ **Жұмыс кезінде ыңғайсыз қалыптарға тұрмауға тырысыңыз.** Үнемі тұрақты күйді және тепе-теңдікті сақтаңыз. Бұл күтпеген жағдайларда электр құралын жақсырақ басқаруға мүмкіндік береді.
- ▶ **Арнайы киімді киіңіз. Өте бос киімді немесе әшекейлерді кимеңіз. Шашты, киімді және қолғапты электр құралының айналатын түйіндерінен сақтаңыз.** Бос киім, әшекейлер және ұзын шаш оларға ілінуі мүмкін.
- ▶ **Егер шанды жинау және кетіруге арналған құрылғыларды қосу қарастырылған болса, олар қосылғанына және мақсаты бойынша қолданылып жатқанына көз жеткізіңіз.** Шанды кетіру модулін пайдалану шаңның зиянды әсерін азайтады.
- ▶ **Өз мойныңызға қате қауіпсіздік сезімін алмаңыз және электр құралына арналған қауіпсіздік ережелерін бұзбаңыз, тіпті электр құралын жиі қолданатын тәжірибелі пайдаланушы болсаңыз.** Мұқиятсыз қолдану бірнеше секундта ауыр жарақаттануға апарып соғуы мүмкін.

### Электр құралын қолдану және оған қызмет көрсету

- ▶ **Аспапқа шамадан тыс жүктеме түсуін болдырмаңыз.** Нақ осы жұмысқа арналған электр құралын қолданыңыз. Бұл ережені сақтау көрсетілген қуат диапазонында жоғарырақ жұмыс сапасын және қауіпсіздігін қамтамасыз етеді.
- ▶ **Сөндіргіші бұзылған электр құралын қолданбаңыз.** Қосу немесе өшіру қиын электр құралы қауіпті және оны жөндеу керек.
- ▶ **Электр құралын реттеуге, саймандарды ауыстыруға кірісу алдында немесе жұмыстағы үзіліс алдында розеткадан ашаны және/немесе электр құралынан алмалы-салмалы аккумуляторды шығарыңыз.** Бұл сақтық шарасы электр құралының кездейсоқ қосылуын болдырмайды.
- ▶ **Қолданылмайтын электр құралдарын балалар жетпейтін жерде сақтаңыз.** Аспаппен таныс емес немесе осы нұсқауларды оқып шықпаған адамдарға аспапты пайдалануға рұқсат бермеңіз. Электр құралдары тәжірибесі жоқ пайдаланушылардың қолында қауіпті болады.



- ▶ **Электр құралдары мен керек-жарақтарға ұқыпты қараңыз.** Айналмалы бөліктердің мүлтіксіз қызмет ететінін, олардың жүрісінің жеңілдігін, барлық бөліктердің тұтастығын және электр құралының жұмысына теріс әсер етуі мүмкін зақымдардың жоқтығын тексеріңіз. Аспаптың зақымдалған бөліктерін оны қолдану алдында жөндеуге өткізіңіз. Электр құралына техникалық қызмет көрсету ережелерін сақтамау көп сәтсіз жағдайлардың себебі болып табылады.
- ▶ **Кескіш аспаптардың үшкір және таза болуын қадағалау керек.** Жұмыс күйінде сақталатын кескіш аспаптардың сыналануы сиректеу болады, оларды басқару жеңілдеу.
- ▶ **Электр құралын, саймандарды, көмекші құрылғыларды және т.б. нұсқауларға сай пайдаланыңыз.** Бұл кезде жұмыс жағдайларын және орындалатын жұмыстың сипатын ескеріңіз. Электр құралдарын басқа мақсаттарда қолдану қауіпті жағдайларға әкелуі мүмкін.
- ▶ **Тұтқыштар мен тұтқыш беттерін таза, құрғақ, май іздеріңіз ұстаңыз.** Сырғанақ тұтқыштар мен олардың беттері белгілі бір жағдайларда электр құралының қауіпсіз қолданылуы мен басқарылуына жол бермейді.

#### **Аккумуляторлық аспапты пайдалану және оған қарау**

- ▶ **Аккумуляторды тек өндіруші ұсынған зарядтағыш құрылғылардың көмегімен зарядтаңыз.** Зарядтағыш құрылғыны тиісті емес аккумулятор түрлерін зарядтау үшін қолданғанда өрт туындауы мүмкін.
- ▶ **Аспаппен жұмыс істеу үшін тек тиісті аккумуляторларды қолданыңыз.** Басқа аккумуляторларды пайдалану жарақаттарға әкелуі және өрт тудыруы мүмкін.
- ▶ **Пайдаланылмайтын аккумуляторларды контакттардың тұйықталуының себебі болуы мүмкін скрепкалардан, тиындардан, кілттерден, инелерден, винттерден және басқа металл заттардан ары сақтаңыз.** Аккумулятор контактарының тұйықталуы күйіктерге немесе тұтануға әкелуі мүмкін.
- ▶ **Аккумулятормен тиісті емес түрде жұмыс істегенде одан электролит ағып шығуы мүмкін. Оған тиюді болдырмаңыз.** Кездейсоқ тигенде сумен шайыңыз. Электролит көзге тигенде дәрігер көмегіне жүгініңіз. Аккумулятордан ағып шыққан электролит тері тітіркенуін немесе күйіктерді тудыруы мүмкін.
- ▶ **Зақымдалған не пішіні өзгертілген аккумуляторларды қолданбаңыз.** Зақымдалған не пішіні өзгертілген аккумуляторларды болжауға болмайды және олар өрт, жарылыс не жарақаттану қаупін тудырады.
- ▶ **Аккумуляторды өрт не жоғары температуралы аймақтардан алшақ ұстаңыз.** Өрт немесе 130 °C (265 °F) жоғары температуралар жарылыс тудыруы мүмкін.
- ▶ **Зарядтау үшін барлық нұсқауларды орындаңыз және аккумулятор не аккумуляторлық құралды ешқашан пайдалану бойынша нұсқаулықта берілген температура ауқымдарынан тыс зарядтамаңыз.** Қате зарядтау немесе рұқсатты температура ауқымдарынан тыс зарядтау аккумуляторды бұзуы және өрт қаупін арттыруы мүмкін.

#### **Қызмет**

- ▶ **Электр құралын жөндеуді тек түпнұсқа қосалқы бөлшектерді қолданатын білікті қызметкерлерге сеніп тапсырыңыз.** Бұл электр құралын қауіпсіз күйде сақтауды қамтамасыз етеді.
- ▶ **Зақымдалған аккумуляторларға ешқашан қызмет көрсетпеңіз.** Аккумулятордың толық күтімін тек өндіруші немесе өкілетті қызмет көрсету орталықтары орындауы тиіс.

### **2.2 Таспалы араларға арналған қауіпсіздік техникасы бойынша нұсқаулар**

- ▶ **Алмалы-салмалы аспап жасырын электр сымдарына тие алатын жұмыстарды өткізген кезде электр құралын оқшауланған жерлерінен ұстаңыз.** Кернеу өткізгіш сымдарға тигенде, аспаптың металл бөліктері де кернеу астына түсуі мүмкін және бұл ток соғуға әкелуі мүмкін.

### **2.3 Қауіпсіздік техникасы бойынша қосымша нұсқаулар**

- ▶ Қолыңызды аралау аймағынан және ара таспасынан ары ұстаңыз. Екінші қолмен қауіпсіздік ажыратқышы бар тұтқышты ұстап тұрыңыз. Араны екі қолмен ұстасаңыз, аралау кезінде қолыңызға жарақат тимейді.
- ▶ Өнімді және керек-жарақтарды тек техникалық мінсіз күйінде қолданыңыз.
- ▶ Өнімде немесе керек-жарақтарда ешқандай манипуляциялар не өзгерістер орындамаңыз.
- ▶ Өнімді жұмыс күйіне орнатылғаннан кейін ғана қосыңыз.
- ▶ Аспаптың айналатын бөлшектеріне тиемеңіз - жарақат алу қаупі бар!
- ▶ Өнімді көтеру және/немесе тасымалдау кезінде сақ болыңыз, ара таспасы өткір және кесіп жарақат тигізуі немесе мүлікке залал келтіруі мүмкін.



- ▶ Өнімді қолдану барысында қорғауыш көзілдірікті, қорғауыш касканы және қорғауыш құлақпақты киіп жүріңіз.
- ▶ Құралды алмастырған кезде қорғауыш қолғап киіңіз. Алмалы-салмалы аспапқа тию кесіктерге және күйіктерге апарып соғуы мүмкін.
- ▶ Ажарлау, егеуқұм қағазымен тазалау, кесу және бұрғылау кезінде пайда болатын шаңның құрамында қауіпті химиялық заттар болуы мүмкін. Мысалдары келесідей: қорғасын немесе қорғасын негізіндегі бояулар; плитка, бетон және басқа кірпіш қалау өнімдері, табиғи тас және басқа силикаттық өнімдер; өмен, шамшат және химиялық затпен өңделген сүрек сияқты белгілі бір сүрек түрлері; асбест немесе құрамында асбест бар материалдар. Пайдаланушы мен оның айналасындағы адамдарға әсер ету дәрежесін өңдеу орындалатын материалдардың қауіп класы бойынша анықтаңыз. Әсерді қауіпсіз деңгейде сақтау үшін шаң жинайтын жүйелерді пайдалану немесе арнайы тыныс алу органдарының қорғанысын киіп жүру сияқты қажетті шараларды қолданыңыз. Әсер ету дәрежесін азайту бойынша жалпы шараларға төмендегілер жатады:
  - ▶ Жақсы желдетілген аймақта жұмыс істеу,
  - ▶ Шаңның ұзақ уақыт бойы тиюіне жол бермеу,
  - ▶ Шаңды көз бен денеден алыстату,
  - ▶ Қорғаныс киімін киіп жүру және әсер етілген жерлерді сумен және сабынмен жуу.
- ▶ Жарақат алудың алдын алу үшін таспалы араны тек дұрыс орнатылған ара таспасының қаптамасымен бірге пайдаланыңыз.
- ▶ Бойлай аралау кезінде әрқашан тіректі немесе түзу бағыттауыш жиікті қолданыңыз. Бұл кесу дәлдігін жақсартады және ара төсемінің сыналану мүмкіндігін азайтады.
- ▶ Аралап жатқан дайындаманы ешқашан қолда немесе басқа дене мүшесімен ұстамаңыз. Дайындаманы тұрақты тірекке бекітіңіз. Денеге тию, аралау төсемінің сыналануы немесе бақылауды жоғалту қауіпін барынша азайту үшін бөлшекті бекіткен жөн.
- ▶ Өнімді әрдайым екі қолмен арнайы тұтқыштарынан берік ұстаңыз және бұл кезде қолды кері соққы күшіне қарсы тұра алатындай орналастырыңыз.
- ▶ Тұтқыштарды құрғақ әрі таза және маймен ластанбаған күйде ұстаңыз.
- ▶ Әрқашан ара төсемінен ары тұрыңыз, ешқашан ара төсемін денеңіздің осі бойынша жүргізбеңіз. Кері соққы араны артқа секіртеп алуы мүмкін!
- ▶ Бірінші кезекте басты шалқайтып жұмыс істеген кезде тұрақтылықты сақтаңыз. Кенет жарылу нәтижесінде тепе-теңдігіңіз бұзылуы мүмкін.
- ▶ Ойып бұрғылау жұмыстарын өткізген кезде дайындаманың екі жағын да бекітіңіз. Жарылып бөлінген бөлшектер құлап түсуі және жарақат тигізуі мүмкін.
- ▶ Ара төсемі сыналанғанда немесе жұмыс басқа себеппен үзілсе, араны ешіріңіз және оны ара төсемі толық тоқтағанша ұстаңыз. Айналып жатқанда немесе кері соққы пайда болуы мүмкін болса, ешқашан ара төсемін дайындамадан шығаруға, артқа жіберуге тырыспаңыз.
- ▶ Дайындамада тұрып қалған араны қайта қосқыңыз келсе, алдымен аралау орнында ара төсемін ортаға келтіріңіз және төсемі тістерінің еркіндігін тексеріңіз.
- ▶ Қабырғаларда немесе басқа көру мүмкін емес аймақтарда аралауды орындау кезінде әсіресе сақ болыңыз. Бататын ара төсемі аралау кезінде жасырын нысанда бұғатталуы және кері соққы тудыруы мүмкін.
- ▶ Саусақтың қан айналымын жақсарту үшін жиі үзіліс жасап, жаттығу жасаңыз. Ұзақ уақыт жұмыс істеген кезде, қатты дірілдердің салдарынан саусақ, қол не буындардың қантамыры не жүйкесіне теріс әсер тиюі мүмкін.
- ▶ Өнімнің жарығына (жарық диоды) тікелей қарамаңыз және жарықты басқа адамдардың көзіне тікелей бағытпаңыз. Соқырлық қаупі бар.
- ▶ Аралау жұмысын бастамас бұрын, ара таспасының тиісінше орнатылғанына көз жеткізіңіз. Дұрыс орнатылмаған ара таспасы қысылып қалуы және кері соққыны тудыруы мүмкін.
- ▶ Құлап қалған құралдардан және/немесе керек-жарақтардан жарақат алу қаупі бар. Жұмысты бастамас бұрын аккумулятор мен қондырылған керек-жарақтың берік бекітілгеніне көз жеткізіңіз.

### **Электр қауіпсіздігі**

- ▶ Жұмысты бастамас бұрын, жұмыс аймағындағы электрлік сымдар, газ бен су құбырлары жабық екендігіне көз жеткізіңіз. Қуыт сымына, газ немесе су құбырына зақым келтірген жағдайда, өнімнің сыртындағы металл бөліктер ток соғуға немесе жарылысқа әкелуі мүмкін.
- ▶ Құбырларды кескенде, мысалы, бөлшектеу және құрастыру жұмыстарын орындағанда, оларда сұйықтық жоқ екеніне көз жеткізіңіз. Қажет болса, құбырлардан сұйықтықты кетіру шараларын қолданыңыз. Құбырларды кескен кезде өнімді кесу сызығынан жоғарырақ ұстаңыз. Өнімде ылғал кіруден қорғаныс қарастырылмаған.

### **Электр құралдарымен дұрыс жұмыс істеу және дұрыс пайдалану**

- ▶ Тек белгіленген өлшемдегі ара таспаларын пайдаланыңыз.



- ▶ Өтпес немесе зақымдалған ара таспаларын пайдаланбаңыз. Бұл ара таспасының қатты тозуына, қысылуына немесе кері соққысына әкеледі.
- ▶ Ара таспаларына күтім көрсету және оларды сақтау бойынша өндірушінің нұсқауларын орындаңыз.

## 2.4 Аккумулятормен дұрыс жұмыс істеу және оны дұрыс пайдалану

- ▶ **Литий-иондық аккумуляторларды пайдалану және күту бойынша төмендегі қауіпсіздік шараларын орындаңыз.** Нұсқауларды орындамау тері тітіркенуіне, ауыр тот басқыш жарақаттарға, химиялық күйіктерге, өртенуге және/немесе жарылысқа апарып соғуы мүмкін.
- ▶ Аккумуляторларды тек техникалық мінсіз күйінде қолданыңыз.
- ▶ Зақымдалуды болдырмау және денсаулыққа қатты зиян келтіре алатын сұйықтықтардың шығуына жол бермеу үшін аккумуляторларды абайлап қолданыңыз!
- ▶ Аккумуляторларды ешбір жағдайда модификациялауға немесе құрылымына өзгеріс енгізуге болмайды!
- ▶ Аккумуляторларды бөлшектеуге, қысуға, 80°C (176°F) шамасынан жоғары температураға дейін қыздыруға және жағуға тыйым салынады.
- ▶ Соққы тиген немесе басқаша зақымдалған аккумуляторларды пайдаланбаңыз немесе зарядтамаңыз. Аккумуляторларда зақымдалу белгілерінің бар-жоғын жүйелі түрде тексеріп тұрыңыз.
- ▶ Еш жағдайда қайта өңделген немесе жөнделген аккумуляторларды пайдаланбаңыз.
- ▶ Ешқашан аккумуляторды немесе аккумуляторлық электр құралын соқпа құрал ретінде пайдаланбаңыз.
- ▶ Аккумуляторларға ешқашан тікелей күн сәулесі, жоғары температура, ұшқын немесе ашық жалын әсерін тигізбеңіз. Бұл жарылысқа апарып соғуы мүмкін.
- ▶ Батарея полюсіне саусақпен, құралдармен, әшекеймен немесе басқа да электр тогын өткізетін бөгде заттармен тиемеңіз. Бұл аккумуляторға зақым келтіруі, сондай-ақ мүлікке залал келтіруі және жарақат алуға әкелуі мүмкін.
- ▶ Аккумуляторларды жаңбыр, ылғал мен сұйықтықтарда алшақ ұстаңыз. Еніп кеткен ылғал қысқа тұйықталу, ток соғу, күйіп қалу, өртену және жарылыс қаупін тудыруы мүмкін.
- ▶ Тек осы аккумулятор түрі үшін көзделген зарядтағыш құрылғылар мен электр құралдарын пайдаланыңыз. Бұл ретте тиісті пайдалану бойынша нұсқаулықтардағы мәліметтерге назар аударыңыз.
- ▶ Аккумуляторды жарылғыш орталарда пайдаланбаңыз немесе сақтамаңыз.
- ▶ Егер тиген кезде аккумулятор тым ыстық болса, ол ақаулы болуы мүмкін. Аккумуляторды тұтанғыш материалдардан жеткілікті қашықтықта орналасқан, жақсы көрінетін, тұтанбайтын жерге қойыңыз. Аккумуляторды суытыңыз. Аккумулятор бір сағаттан кейін өлі де қолға ыстық болып тұрса, бұл оның ақаулы екендігін білдіреді. **Hilti** қызмет көрсету орталығына жолығыңыз немесе «Қауіпсіздік және **Hilti** Li-Ion аккумуляторын пайдалану бойынша нұсқаулар» атты құжатты оқып шығыңыз.



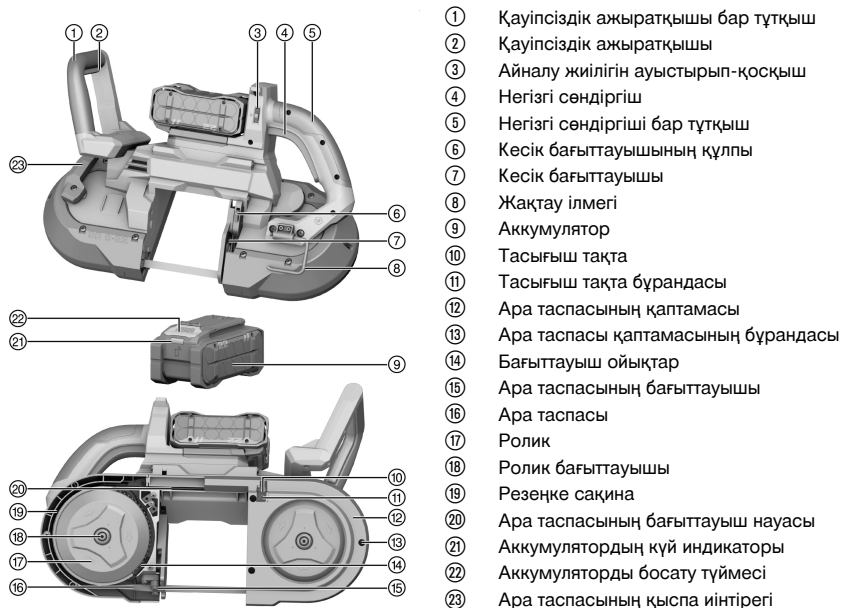
Литий-иондық аккумуляторларды тасымалдау, сақтау және пайдалану үшін қолданылатын арнайы директиваларды ескеріңіз. → Бет 184

Аталмыш пайдалану бойынша нұсқаулықтың соңындағы QR кодын сканерлеу арқылы табуға болатын **Hilti** Li-Ion аккумуляторларына арналған қауіпсіздік және пайдалану бойынша нұсқауларды оқып шығыңыз.



## 3 Сипаттама

### 3.1 Өнімге шолу



- ① Қауіпсіздік ажыратқышы бар тұтқыш
- ② Қауіпсіздік ажыратқышы
- ③ Айналу жиілігін ауыстырып-қосқыш
- ④ Негізгі сөндіргіш
- ⑤ Негізгі сөндіргіші бар тұтқыш
- ⑥ Кесік бағыттаушының құлпы
- ⑦ Кесік бағыттаушы
- ⑧ Жақтау ілмегі
- ⑨ Аккумулятор
- ⑩ Тасығыш тақта
- ⑪ Тасығыш тақта бұрандасы
- ⑫ Ара таспасының қаптамасы
- ⑬ Ара таспасы қаптамасының бұрандасы
- ⑭ Бағыттауыш ойықтар
- ⑮ Ара таспасының бағыттаушы
- ⑯ Ара таспасы
- ⑰ Ролик
- ⑱ Ролик бағыттаушы
- ⑲ Резеңке сақина
- ⑳ Ара таспасының бағыттауыш науасы
- ㉑ Аккумулятордың күй индикаторы
- ㉒ Аккумуляторды босату түймесі
- ㉓ Ара таспасының қыспа иітірегі

### 3.2 Мақсатына сай қолдану

Сипатталған өнім аккумуляторлық таспалы ара болып табылады. Ол металдан жасалған дайындамалар мен пластик бұйымдарды бөлшектеуге арналған.

Өнім екі қолмен жұмыс істеуге арналған.

- Бұл өнім үшін тек В 22 сериялы **Hilti Nuron Li-Ion** аккумуляторларын пайдаланыңыз. **Hilti** компаниясы бұл өнім үшін оңтайлы қуатқа қол жеткізу мақсатында осы пайдалану бойынша нұсқаулықтың соңындағы кестеде көрсетілген аккумуляторларды пайдалануға кеңес береді.
- Бұл аккумуляторлар үшін тек осы пайдалану бойынша нұсқаулықтың соңындағы кестеде белгіленген серияларға жататын **Hilti** зарядтағыш құрылғыларын қолданыңыз.

### 3.3 Жеткізілім жинағы

Таспалы ара, пайдалану бойынша нұсқаулық

Оған қоса өніміңіз үшін рұқсат етілген жүйелік өнімдерді **Hilti Store** дүкенінде немесе мына веб-сайттан табуға болады: [www.hilti.group](http://www.hilti.group)

### 3.4 Li-Ion аккумуляторының индикаторлары

**Hilti Nuron Li-Ion** аккумуляторлары аккумуляторлардың заряд деңгейін, ақаулық туралы хабарларын және күйін көрсете алады.

#### 3.4.1 Заряд деңгейінің және ақаулық туралы хабарлардың индикаторлары



**ЕСКЕРТУ**

**Жарақат алу қаупі аккумулятордың құлауынан!**

- ▶ Аккумулятор енгізілген кезде, құлыптан босату түймесін басқаннан кейін аккумулятордың пайдаланылатын өнімге тиісінше бекітілгеніне көз жеткізіңіз.

Төмендегі индикация көрсеткіштерінің біріне қол жеткізу үшін аккумулятордың құлыптан босату түймесін қысқаша басыңыз.



2354067

Заряд деңгейі және ықтимал ақаулықтар жалғанған өнім қосылып тұрған кезде үздіксіз көрсетіледі.

Құралдың бөлшектері	Сипаттамасы
Төрт (4) жарық диоды жасыл түспен тұрақты жанып тұр	Заряд деңгейі: 100% және 71% аралығында
Үш (3) жарық диоды жасыл түспен тұрақты жанып тұр	Заряд деңгейі: 70% және 51% аралығында
Екі (2) жарық диоды жасыл түспен тұрақты жанып тұр	Заряд деңгейі: 50% және 26% аралығында
Бір (1) жарық диоды жасыл түспен тұрақты жанып тұр	Заряд деңгейі: 25% және 10% аралығында
Бір (1) жарық диоды жасыл түспен баяу жыпылықтайды	Зарядтау күйі: < 10%
Бір (1) жарық диоды жасыл түспен жылдам жыпылықтайды	Li-Ion аккумуляторының заряды толықтай таусылды. Аккумуляторды зарядтаңыз. Жарық диоды аккумуляторды зарядтағаннан кейін сонда да жылдам жыпылықтаса, <b>Hilti</b> қызмет көрсету орталығына хабарласыңыз.
Бір (1) жарық диоды сары түспен жылдам жыпылықтайды	Li-Ion аккумуляторы немесе оған байланысты өнімге артық жүктеме түсті, қатты қызып кетті немесе басқа ақаулық орын алды. Өнім мен аккумуляторды ұсынылған жұмыс температурасына жеткізіңіз және өнімді пайдаланған кезде оған артық жүктеме түсірмеңіз. Хабар көрсетіле берсе, <b>Hilti</b> қызмет көрсету орталығына хабарласыңыз.
Бір (1) жарық диоды сары түспен жанып тұр	Li-Ion аккумуляторы және оған қосылған өнім үйлесімді емес. <b>Hilti</b> қызмет көрсету орталығына хабарласыңыз.
Бір (1) жарық диоды қызыл түспен жылдам жыпылықтайды	Li-Ion аккумуляторы құлыптаулы және оны бұдан былай пайдалану мүмкін емес. <b>Hilti</b> қызмет көрсету орталығына хабарласыңыз.

### 3.4.2 Аккумулятор күйін көрсететін индикаторлар

Аккумулятордың күйін шақыру үшін құлыптан босату түймесін үш секундтан артық басып тұрыңыз. Жүйе құлату, тесу, сыртқы жылудан зақым келтіру және т.с.с. қате қолданудан туындаған батареяның ақаулығын анықтамайды.

Құралдың бөлшектері	Сипаттамасы
Барлық жарық диодтары жұмыс шамы ретінде жанады, содан кейін бір (1) жарық диоды жасыл түспен тұрақты жанады.	Аккумуляторды ары қарай пайдалануға болады.
Барлық жарық диодтары жұмыс шамы ретінде жанады, содан кейін бір (1) жарық диоды сары түспен жылдам жыпылықтайды.	Аккумулятор күйі туралы сұрауды орындау мүмкін болмады. Әрекетті қайталаңыз немесе <b>Hilti</b> қызмет көрсету орталығына жолығыңыз.
Барлық жарық диодтары жұмыс шамы ретінде жанады, содан кейін бір (1) жарық диоды қызыл түспен тұрақты жанады.	Жалғанған өнімді ары қарай пайдалану мүмкін болса, бұл қалған аккумулятор қуатының 50% шамасынан төмен болғанын білдіреді. Жалғанған өнімді ары қарай пайдалану мүмкін болмаса, бұл аккумулятордың қызмет ету мерзімі аяқталғанын және оны алмастыру керек екендігін білдіреді. <b>Hilti</b> қызмет көрсету орталығына хабарласыңыз.





## 4 Техникалық сипаттамалар

ЕРТА Procedure 01 стандарты бойынша аккумуляторсыз салмағы	6,5 кг
Номиналды кернеу	21,6 В
Жүктемесіз айналу жиілігі	150 м/мин
макс. кесу тереңдігі	127 мм
Өнімнің өлшемдері (Ұзындығы x ені x биіктігі)	525 мм x 175 мм x 375 мм
Ара таспасының өлшемдері (Ұзындығы x ені x қалыңдығы)	1140 мм x 12,4 мм x 0,5 мм
Жұмыс кезіндегі қоршаған орта температурасы	-17 °C ... 60 °C
Сақтау температурасы	-20 °C ... 70 °C

### 4.1 Аккумулятор

Аккумулятордың жұмыс кернеуі	21,6 В
Аккумулятор салмағы	Осы пайдалану бойынша нұсқаулықтың соңында қараңыз
Жұмыс кезіндегі қоршаған орта температурасы	-17 °C ... 60 °C
Сақтау температурасы	-20 °C ... 40 °C
Заряптаудың басындағы аккумулятор температурасы	-10 °C ... 45 °C

### 4.2 EN 60745 стандарты бойынша шуыл туралы ақпарат және діріл мәні

Осы нұсқауларда көрсетілген дыбыс қысымы мен діріл деңгейі стандартты өлшеу әдісімен өлшенген және оны басқа электр құралдарымен салыстыру үшін пайдалануға болады. Сонымен бірге, ол экспозицияны алдын ала бағалау үшін жарайды. Берілген деректер электр құралдың негізгі жұмысын көрсетеді. Алайда, егер электр құралы басқа мақсаттарда, басқа жұмыс аспаптарымен қолданылса немесе оған қанағаттандырмайтын техникалық қызмет көрсетілсе, деректер өзгеше болуы мүмкін. Осының салдарынан аспаптың бүкіл жұмыс істеу кезеңінде экспозиция айтарлықтай артуы мүмкін. Экспозицияны дәл анықтау үшін аспап сәндірілген күйде немесе бос жұмыс істейтін уақыт аралықтарын да ескеру керек. Осының салдарынан аспаптың бүкіл жұмыс істеу кезеңінде экспозиция айтарлықтай азаюы мүмкін. Пайдаланушыны пайда болатын шуылдан және/немесе дірілден қорғау үшін қосымша сақтық шараларын қолданыңыз, мысалы: электр құралға және алмалы-салмалы аспаптарға техникалық қызмет көрсету, қолдардың жылуын сақтау, жұмыс процестерін дұрыс ұйымдастыру.

#### Шуыл туралы ақпарат

Дыбыс күшінің деңгейі ( $L_{WA}$ )	86 дБ(A)
Дыбыс күшінің деңгейі бойынша дәлсіздік ( $K_{WA}$ )	3 дБ(A)
Дыбыс қысымының деңгейі ( $L_{pA}$ )	75 дБ(A)
Дыбыс қысымының деңгейі бойынша дәлсіздік ( $K_{pA}$ )	3 дБ(A)

#### Дірілдің жалпы көрсеткіші

Металл бойынша кесу кезіндегі дірілдің эмиссиялық көрсеткіші ( $a_h, CM$ )	B 22-55	0,8 м/с <sup>2</sup>
	B 22-255	0,7 м/с <sup>2</sup>
Дәлсіздік (K)		1,5 м/с <sup>2</sup>

## 5 Жұмысқа дайындық

### ЕСКЕРТУ

#### Жарақат алу қаупі абайсыздан қосылу себебінен!

- ▶ Аккумуляторды орнату алдында оған қатысты өнімнің өшірілгеніне көз жеткізіңіз.
- ▶ Аспап реттеулерін орындау немесе қосалқы бөлшектерді алмастыру алдында аккумуляторды шығарыңыз.

Осы құжаттамадағы және өнімдегі қауіпсіздік және ескерту нұсқауларын орындаңыз.



## 5.1 Аккумуляторды зарядтау

1. Зарядтау алдында зарядтағыш құрылғының пайдалану бойынша нұсқаулығын оқып шығыңыз.
2. Аккумулятордағы және зарядтағыш құрылғыдағы контактілердің таза әрі құрғақ екендігіне көз жеткізіңіз.
3. Аккумуляторды рұқсат етілген зарядтағыш құрылғы ішінде зарядтаңыз. → Бет 177

## 5.2 Аккумуляторды орнату

### ЕСКЕРТУ

**Жарақат алу қаупі қысқа тұйықталудан немесе аккумулятордың құлауынан!**

- ▶ Аккумуляторды орнату алдында аккумулятор контактілерінде және өнімдегі контактілерде бөгде заттардың жоқтығына көз жеткізіңіз.
- ▶ Аккумулятордың өркез дұрыс орнатылғанына көз жеткізіңіз.

1. Аккумуляторды алғаш рет іске қоспас бұрын зарядтаңыз.
2. Аккумуляторды өнімге шерту дыбысымен тірелгенше кіргізіңіз.
3. Аккумулятордың аспапқа берік бекітілгенін тексеріңіз.

## 5.3 Аккумуляторды шығару

1. Аккумулятордың құлыптан босату түймесін басыңыз.
2. Аккумуляторды өнімнен шығарыңыз.

## 5.4 Ара таспасын алмастыру 2

### ЕСКЕРТУ

**Ара таспасынан жарақат алу қаупі бар.** Ара таспасы ыстық және/немесе өткір жиекті болуы және белгілі бір жағдайларда жарылуы мүмкін.

- ▶ Ара таспасымен жұмыс істеу және оны алмастыру кезінде қорғаныш қолғап пен көз қорғанысын тағыңыз.
- ▶ Таспалы араны тек дұрыс орнатылған қаптамасымен бірге пайдаланыңыз.
- ▶ Пайдаланылған таспалы араны еш жағдайда жанғыш беттерге қоймаңыз.

### НАЗАР АУДАРЫҢЫЗ

**Қате ара таспасынан мүлікке залал келтіру.** Қате ара таспасы материалдың мерзімсіз бұзылуына және таспалы араның зақымдалуына әкелуі мүмкін.

- ▶ Таспалы ара мен материал үшін дұрыс ара таспасын таңдаңыз.
- ▶ Кесілетін материал үшін дұрыс тіс қадамына (тіс/дюйм) ие ара таспасын таңдаңыз: қатты/жіңішке материалдар үшін жоғарырақ тіс қадамы; жұмсақ/қалың материалдар үшін төменірек тіс қадамы.
- ▶ Қалыңдығы 0,5 мм болатын ара таспаларын ғана пайдаланыңыз. Одан қалың ара таспалары үлкенірек бұғу жүктемесін тудырып, ара тістерінің жылдамырақ тозуына әкеледі.
- ▶ Ара таспасын, кемінде екі тіс дайындамаға тиетіндей таңдаңыз.
- ▶ Тек 1140 мм × 12,5 мм × 0,5 мм өлшемдеріне ие ара таспаларын таңдаңыз.

1. Екі ара таспасы қаптамасының бұрандаларын босатыңыз.
2. Екі ара таспасының қаптамасын алып тастаңыз.
3. Қыспа иінтіректі тірелгенше бұраңыз.
  - ▶ Ара таспасы босатылады.
4. Ескі ара таспасын бағыттауыштан шығарып, ара таспасын кедеге жаратыңыз.
5. Жаңа ара таспасын ара таспасының бағыттауышына салыңыз.
6. Жаңа ара таспасын екі роликтің айналасына бағыттаңыз.
7. Жаңа ара таспасын ара таспасының бағыттауыш науасына салыңыз.
8. Ара таспасының дұрыс орнатылғанын тексеріп шығыңыз.
9. Қыспа иінтіректі тірелгенше бұраңыз.
  - ▶ Ара таспасы керіледі.
10. Екі ара таспасының қаптамасын орнатыңыз.
11. Екі ара таспасы қаптамасының бұрандаларын мықтап тартыңыз.



## 5.5 Биіктен құлаудан қорғаныс

### ЕСКЕРТУ

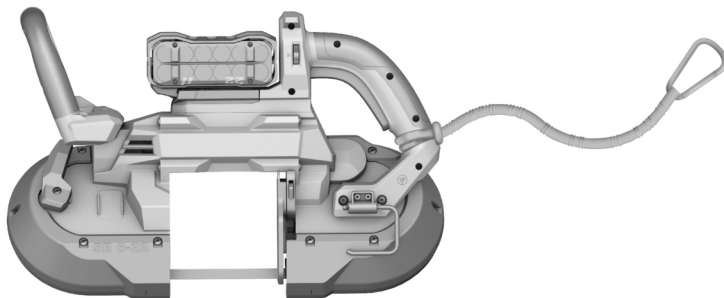
**Жарақат алу қаупі** құралдың және/немесе керек-жарақтың құлауынан!

- ▶ Тек өнім үшін ұсынылған **Hilti** құрал ұстағыш арқанын қолданыңыз.
- ▶ Құрал ұстағыш арқанның бекіту нүктесінде әр пайдалану алдында зақымдардың бар-жоғын тексеріп шығыңыз.



Биік жерде жұмыс істеу бойынша ұлттық нұсқамаларды орындаңыз.

Бұл өнім үшін биіктен құлаудан қорғаныс ретінде тек **Hilti** компаниясы ұсынған #2261971 құрал ұстағыш арқанын қолданыңыз.



- ▶ Құрал ұстағыш арқанын ілмегімен суретте көрсетілгендей өнімге бекітіңіз. Берік бекітілгенін тексеріңіз.
- ▶ Карабинді жүк көтеретін құрылымға бекітіңіз. Карабиннің берік бекітілгенін тексеріңіз.



**Hilti** құрал ұстағыш арқанының пайдалану бойынша нұсқаулықтарына назар аударыңыз.

## 6 Қызмет көрсету

Осы құжаттамадағы және өнімдегі қауіпсіздік және ескерту нұсқауларын орындаңыз.

### 6.1 Кесік бағыттаушыын реттеу

1. Кесік бағыттаушының құлпын басып тұрыңыз.
2. Кесік бағыттаушыын қалаулы биіктікке жылжытыңыз.
3. Кесік бағыттаушының құлпын жіберіңіз.

### 6.2 Аралау

#### ЕСКЕРТУ

**Жарақат алу қаупі** таспалы араның кері соққысынан.

- ▶ Аралау алдында дайындаманы, мысалы, қысқышқа бекітіңіз.
- ▶ Таспалы ара мен дайындаманы бір-бірімен туралаңыз.

#### ЕСКЕРТУ

**Жарақат алу қаупі** жұмыс істеп тұрған арадан.

- ▶ Өнімді тек толықтай тоқтап қалғаннан кейін дайындамадан көтеріп алыңыз.
- ▶ Өнімді алып тастау алдында оның толықтай тоқтағанша күтіңіз.



**ЕСКЕРТУ**

**Ара таспасынан жарақат алу қаупі бар.** Ара таспасы ыстық және/немесе өткір жиекті болуы және белгілі бір жағдайларда жарылуы мүмкін.

- ▶ Ара таспасымен жұмыс істеу және оны алмастыру кезінде қорғаныш қолғап пен көз қорғанысын тағыңыз.
- ▶ Таспалы араны тек дұрыс орнатылған қаптамасымен бірге пайдаланыңыз.
- ▶ Пайдаланылған таспалы араны еш жағдайда жанғыш беттерге қоймаңыз.

**НАЗАР АУДАРЫҢЫЗ**

**Қате ара таспасынан мүлікке залал келтіру.** Қате ара таспасы материалдың мерзімсіз бұзылуына және таспалы араның зақымдалуына әкелуі мүмкін.

- ▶ Таспалы ара мен материал үшін дұрыс ара таспасын таңдаңыз.
- ▶ Кесілетін материал үшін дұрыс тіс қадамына (тіс/дюйм) ие ара таспасын таңдаңыз: қатты/жіңішке материалдар үшін жоғарырақ тіс қадамы; жұмсақ/қалың материалдар үшін төменірек тіс қадамы.
- ▶ Қалыңдығы 0,5 мм болатын ара таспаларын ғана пайдаланыңыз. Одан қалың ара таспалары үлкенірек бұғу жүктемесін тудырып, ара тістерінің жылдамырақ тозуына әкеледі.
- ▶ Ара таспасын, кемінде екі тіс дайындамаға тиетіндей таңдаңыз.
- ▶ Тек 1140 мм × 12,5 мм × 0,5 мм өлшемдеріне ие ара таспаларын таңдаңыз.

Резеңке сақинада зақымдардың бар-жоғын жүйелі түрде тексеріп тұрыңыз.

Таспалы араның қызмет ету мерзімін ұзарту үшін әр жұмыс процесінен кейін ара таспасының қаптамаларын және кесік бағыттауышын шаң мен жоңқадан тазалаңыз.



Таспалы араны іске қосу үшін: Алдымен негізгі сөндіргішті, содан кейін қауіпсіздік ажыратқышын басып, бір уақытта ұстап тұруыңыз қажет.



Таспалы араның жеке салмағы кесік жасау үшін жеткілікті. Таспалы араға ешқандай қосымша қысым қолданбаңыз.

1. Қажет болса, резеңке сақинаны алмастырыңыз. → Бет 183
2. Қажет болса, ара таспасын алмастырыңыз. → Бет 180
3. Негізгі сөндіргішті басып тұрыңыз.
4. Қауіпсіздік ажыратқышын басып тұрыңыз.
5. Таспалы араны, барынша көп ара тісі дайындамаға тиетіндей, дайындамаға қойыңыз.
6. Аралау жұмысын орындаңыз.



Таспалы араны, әрдайым мүмкіндігінше үш ара тісі кесікте қалатындай бағыттаңыз.

7. Негізгі сөндіргішті жіберіңіз.

## 7 Күтім және техникалық қызмет көрсету

**ЕСКЕРТУ**

**Акумулятор енгізілген кезде жарақат алу қаупі бар !**

- ▶ Күтім және техникалық қызмет көрсету бойынша кез келген жұмыстарды орындамас бұрын әрдайым аккумуляторды шығарыңыз!

### Өнімге қызмет көрсету

- Қатты жабысып қалған кірді абайлап кетіріңіз.
- Бр болса, желдету саңылауларын құрғақ, жұмсақ қылшақпен мұқият тазалаңыз.
- Корпусты сәл суланған шүберекпен ғана тазалаңыз. Ешқандай силикон қамтитын күтім құралдарын пайдаланбаңыз, себебі олар пластик бөлшектерге зақым келтіруі мүмкін.
- Өнімнің контактілерін тазалау үшін таза, құрғақ шүберекті қолданыңыз.



### Литий-иондық аккумуляторға қызмет көрсету

- Еш жағдайда желдету саңылаулары бітелген аккумуляторды қолданбаңыз. Желдету саңылауларын құрғақ, жұмсақ қылшақпен жақсылап тазалаңыз.
- Аккумуляторға шаңның немесе кірдің қажетсіз тиюіне жол бермеңіз. Аккумуляторға қатты ылғалдың тиюіне ешқашан жол бермеңіз (мысалы, суға батыру немесе жаңбыр астына қою арқылы). Аккумулятор су болса, оны зақымдалған аккумулятор ретінде қарастырыңыз. Оны тұтанбайтын контейнерге оқшаулап, **Hilti** қызмет көрсету орталығына хабарласыңыз.
- Аккумуляторды бөгде май мен майлағыштан таза ұстаңыз. Аккумуляторда шаң не кірдің қажетсіз жиналуына жол бермеңіз. Аккумуляторды құрғақ, жұмсақ қылшақпен немесе таза, құрғақ шүберекпен тазалаңыз. Ешқандай силикон қамтитын күтім құралдарын пайдаланбаңыз, себебі олар пластик бөліктерге зақым келтіре алады. Аккумулятордың контактілеріне тиіменіз және зауыттан тыс қолданылған майды контактілерден кетіріңіз.
- Корпусты сәл суланған шүберекпен ғана тазалаңыз. Ешқандай силикон қамтитын күтім құралдарын пайдаланбаңыз, себебі олар пластик бөлшектерге зақым келтіруі мүмкін.

### Техникалық қызмет көрсету

- Көзге көрінетін барлық бөлшектерде зақымдардың бар-жоғын және басқару элементтерінің ақаусыз жұмысын жиі тексеріп тұрыңыз.
- Өнім зақымдалған және/немесе ақаулы болған жағдайда, оны пайдаланушы болмаңыз. Өнімді міндетті түрде **Hilti** қызмет көрсету орталығында жөндетіңіз.
- Күтім және техникалық қызмет көрсету жұмыстарынан кейін барлық қорғаушы құрылғыларды орнатып, олардың ақаусыз жұмыс істегенін тексеріңіз.



Қауіпсіз жұмысты қамтамасыз ету үшін тек түпнұсқа қосалқы бөлшектер мен шығын материалдарын қолданыңыз. **Hilti** мақұлдаған қосалқы бөлшектер, шығын материалдары мен өнімге арналған керек-жарақтар **Hilti Store** дүкенінде немесе келесі веб-сайтта қолжетімді: [www.hilti.group](http://www.hilti.group)

## 7.1 Ара таспасының қаптамасын алмастыру



Зақымдар анықталған жағдайда, ара таспасының қаптамасын алмастырыңыз.

1. Ара таспасы қаптамасының бұрандаларын босатыңыз.
2. Зақымдалған ара таспасының қаптамасын алып тастап, кәдеге жаратыңыз.
3. Жаңа ара таспасының қаптамасын таспалы араға орнатыңыз.
4. Ара таспасы қаптамасының бұрандаларын 2-3 НМ моментіне дейін тартыңыз.

## 7.2 Резеңке сақинаны алмастыру



Зақымдар анықталған жағдайда, резеңке сақинаны алмастырыңыз.

1. Ара таспасын бөлшектеніз → Бет 180.
2. Резеңке сақинаны алып тастаңыз.
3. Бағыттауыш ойықтардың ластанған-ластанбағанын тексеріп, қажет болса, тазалап шығыңыз.
4. Жаңа резеңке сақинаны ара таспасына арналған роликке қысыңыз.
5. Резеңке сақинаны, ол толықтай бағыттауыш ойықтармен жабылғанша туралай беріңіз.
6. Ара таспасын қайтадан монтаждаңыз → Бет 180.

## 7.3 Ара таспасының бағыттауышын алмастыру



Зақымдар анықталған жағдайда, мысалы, ара таспасы өзінен кейін фрезерленген ойық қалдырған жағдайда, ара таспасының бағыттауышын алмастырыңыз.

1. Ара таспасын бөлшектеніз → Бет 180.
2. Ара таспасы бағыттауышының екі бұрандасын босатыңыз.



3. Зақымдалған ара таспасының бағыттауышын таспалы арадан шығарып, ара таспасының бағыттауышын кәдеге жаратыңыз.
4. Жаңа ара таспасының бағыттауышын таспалы араға енгізіңіз.
5. Ара таспасы бағыттауышының екі бұрандасын 2-3 НМ моментіне дейін тартыңыз.
6. Ара таспасын қайтадан монтаждаңыз → Бет 180.

#### 7.4 Тасығыш тақтаны алмастыру

Ара таспасы қайралған немесе малтыққан жағдайда, тасығыш тақтаны алмастырыңыз.

1. Ара таспасын бөлшектеңіз → Бет 180.
2. Тасығыш тақта бұрандасын босатыңыз.
3. Зақымдалған тасығыш тақтаны таспалы арадан шығарып, тасығыш тақтаны кәдеге жаратыңыз.
4. Жаңа тасығыш тақтаны таспалы араға енгізіңіз.
5. Тасығыш тақта бұрандасын 2-3 НМ моментіне дейін тартыңыз.
6. Ара таспасын қайтадан монтаждаңыз → Бет 180.

### 8 Аккумуляторлық құралдар мен аккумуляторларды тасымалдау және сақтау

#### Тасымалдау

##### АБАЙЛАҢЫЗ

#### Тасымалдау кезіндегі кенет іске қосылу !

- ▶ Өніміңізді әрдайым аккумуляторын шығарып алып тасымалдаңыз!
- ▶ Аккумулятор(лар)ды шығарыңыз.
- ▶ Аккумуляторларды ешқашан үймеде тасымалдамаңыз. Тасымалдау барысында аккумуляторларды шамадан артық соққы мен дірілден қорғау және олардың басқа батарея полюстерімен жанасуына және қысқа тұйықталудың туындауына жол бермеу үшін кез келген ток өткізгіш материалдардан немесе басқа аккумуляторлардан оқшаулау керек. **Аккумуляторларға арналған жергілікті тасымалдау ережелерін сақтаңыз.**
- ▶ Аккумуляторларды поштамен жіберуге болмайды. Зақымдалмаған аккумуляторларды жіберу қажет болғанда, жеткізуші кәсіпорындарға хабарласыңыз.
- ▶ Өнім мен аккумуляторларды әр пайдаланбас бұрын және ұзақ уақыт бойы тасымалдағаннан кейін зақымдардың бар-жоғын тексеріп шығыңыз.

#### Сақтау

##### ЕСКЕРТУ

#### Бүлінген немесе заряды таусылған аккумуляторлардан күтілмеген зақымдалу !

- ▶ Өніміңізді әрдайым аккумуляторын шығарып алып сақтаңыз!
- ▶ Өнім мен аккумуляторларды салқын және құрғақ жерде сақтаңыз. Техникалық деректерде көрсетілген температураның шектік мәндерін ескеріңіз.
- ▶ Аккумуляторларды зарядтағыш құрылғыда сақтамаңыз. Аккумуляторды зарядтағаннан кейін әрдайым зарядтағыш құрылғыдан шығарыңыз.
- ▶ Аккумуляторларды еш жағдайда күн мен жылу көздерінің астында немесе шыны өйнек артында сақтамаңыз.
- ▶ Өнім мен аккумуляторларды балалар мен рұқсаты жоқ адамдардың қолы жетпейтін жерде сақтаңыз.
- ▶ Өнім мен аккумуляторларды әр пайдаланбас бұрын және ұзақ уақыт бойы сақтағаннан кейін зақымдардың бар-жоғын тексеріп шығыңыз.

### 9 Ақаулардағы көмек

Кез келген ақау орын алған жағдайда, аккумулятордың күй индикаторына назар аударыңыз. **Li-Ion аккумуляторларының индикаторлары** бөлімін қараңыз.

Бұл кестеде келтірілмеген немесе өзіңіз түзете алмайтын ақаулар орын алғанда, **Hilti** қызмет көрсету орталығына хабарласыңыз.



Ақаулық	Ықтимал себеп	Шешім
Өнім толық қуатпен жұмыс істемей тұр.	Негізгі сөндіргіш толық басылмаған.	▶ Негізгі сөндіргішті толық басыңыз.
Өнім іске қосылмайды.	Іске қосылудан блоктау іске қосылмаған.	▶ Іске қосылудан блоктауды қосыңыз.
Өнім жұмыс істемейді.	Ара таспасы бұғатталған	▶ Ара таспасының тиісінше монтаждалғанын және/немесе зақымдалғанын тексеріп шығыңыз.
Аккумулятордың жарық диодтары өшірулі	Аккумулятор бүлінген	▶ <b>Hilti</b> қызмет көрсету орталығына жолығыңыз.

## 10 Кәдеге жарату

### ЕСКЕРТУ

**Қате жолмен кәдеге жаратудан жарақат алу қаупі бар!** Газдардың немесе сұйықтықтардың шығуынан денсаулыққа зиян келтіру қаупі бар.

- ▶ Зақымдалған аккумуляторларды жіберуге немесе жөнелтуге болмайды!
- ▶ Қысқа тұйықталуға жол бермеу үшін, қосылымдарды ток өткізбейтін материалмен жауып қойыңыз.
- ▶ Аккумуляторларды балалардың қолына жетпейтіндей етіп кәдеге жаратыңыз.
- ▶ Аккумуляторды **Hilti Store** дүкенінде кәдеге жаратыңыз немесе жергілікті кәдеге жарату кәсіпорнына хабарласыңыз.

**Hilti** өнімдері қайта өңдеу үшін жарамды көптеген материалдардың санынан тұрады. Кәдеге жарату алдында материалдарды мұқият сұрыптау керек. Көптеген елдерде **Hilti** компаниясы ескі аспаптарды кәдеге жарату үшін қабылдайды. **Hilti** қызмет көрсету орталығынан немесе дилерден сұраңыз.



- ▶ Электр құралдарды, электрондық құрылғылар мен аккумуляторларды тұрмыстық қоқыспен бірге тастамаңыз!

## 11 Өндіруші кепілдігі

- ▶ Кепілдік шарттары туралы сұрақтарыңыз болса, жергілікті **Hilti** серіктесіне жолығыңыз.

## 12 Қосымша ақпарат

Басқару, техника, қоршаған орта және қайта өңдеу туралы қосымша ақпаратты мына сілтеме бойынша қараңыз: [qr.hilti.com/manual/?id=2354065&id=2354067](http://qr.hilti.com/manual/?id=2354065&id=2354067)

Бұл сілтеме құжаттаманың соңында QR коды ретінде қолжетімді.



## 1 بيانات بخصوص دليل الاستعمال

### 1.1 خاص بدليل الاستعمال هذا

- اقرأ دليل الاستعمال قبل التشغيل. يعتبر هذا شرطاً للعمل بشكل آمن والاستخدام بدون اختلالات.
- احرص على مراعاة إرشادات الأمان والإرشادات التحذيرية الواردة دليل الاستعمال هذا والمدونة على المنتج.
- احتفظ بدليل الاستعمال دائماً مع هذا المنتج، ولا تعطي المنتج لأشخاص آخرين إلا مع إرفاق دليل الاستعمال هذا معه.

### 2.1 شرح العلامات

#### 1.2.1 إرشادات تحذيرية

تنبه الإرشادات التحذيرية إلى الأخطار الناشئة عند التعامل مع الجهاز. يتم استخدام الكلمات الدلالية التالية:



**خطر!**

- ◀ تشير لخطر مباشر يؤدي لإصابات جسدية خطيرة أو إلى الوفاة.



**تحذير!**

- ◀ تشير لخطر محتمل قد يؤدي لإصابات جسدية خطيرة أو إلى الوفاة.



**احترس!**

- ◀ تشير لموقف خطر محتمل يمكن أن يؤدي لإصابات جسدية أو أضرار مادية.

### 2.2.1 الرموز في دليل الاستعمال

يتم استخدام الرموز التالية في دليل الاستعمال هذا:

يُراعى دليل الاستعمال	
إرشادات الاستخدام ومعلومات أخرى مفيدة	
التعامل مع مواد قابلة لإعادة التدوير	
لا تتخلص من الأجهزة الكهربائية البطاريات ضمن القمامة المنزلية	
Hilti بطارية أيونات الليثيوم	
Hilti جهاز الشحن	

### 3.2.1 الرموز في الصور

تستخدم الرموز التالية في الرسوم التوضيحية:

تشير هذه الأعداد إلى الصورة المعنية في بداية دليل الاستعمال هذا.	<b>2</b>
ترقيم الصور يمثل ترتيب خطوات العمل في الصور، وقد يختلف عن ترقيم خطوات العمل في النص.	3
يتم استخدام أرقام المواضع في صورة العرض العام وهي تشير إلى أرقام تعليق الصورة في فصل عرض عام للمنتج.	11
هذه العلامة من شأنها أن تُثير انتباهك جيداً عند التعامل مع المنتج.	





### 3.1 الرموز المرتبطة بالمنتج

#### 1.3.1 الرموز على المنتج

قد تكون الرموز التالية مستخدمة على المنتج:

تيار مستمر	==
سهم اتجاه الدوران	→
يدعم المنتج تقنية NFC المتوافقة مع أنظمة التشغيل iOS و Android.	
بطارية أيونات الليثيوم	Li-Ion
لا تطرق على البطارية أبدًا بشيء ولا تستخدم البطارية أبدًا كأداة للطرق.	
لا تدع البطارية تسقط. لا تستخدم بطارية تعرضت لصدمات أو أي نوع آخر من التلفيات.	

### 4.1 معلومات المنتج

منتجات **HILTI** مصممة للمستخدمين المحترفين ويقصر استعمالها وصيانتها وإصلاحها على الأشخاص المعتمدين والمدربين جيدًا. هؤلاء الأشخاص يجب أن يكونوا قد تلقوا تدريبًا خاصًا على الأخطار الطارئة. قد يتسبب الجهاز وأدواته المساعدة في حدوث أخطار إذا تم التعامل معها بشكل غير سليم فنياً من قبل أشخاص غير مدربين أو تم استخدامها بشكل غير مطابق للتعليمات. يوجد مسمى الطراز والرقم المسلسل على لوحة الصنع.

◀ انقل الرقم المسلسل في الجدول التالي. ستحتاج إلى بيانات المنتج في حالة الاستفسارات الموجهة إلى ممثلينا أو مركز الخدمة.

#### بيانات المنتج

المنشار الشريطي المشغل بالبطارية	SB 6-22
الجيل	01
الرقم المسلسل	

### 5.1 بيان المطابقة

تعلن الجهة الصانعة على مسؤوليتها وحدها بأن المنتج المشروع هنا يتوافق مع التشريعات والمعايير المعمول بها. تجد صورة لبيان المطابقة في نهاية هذا المستند.

المستندات الفنية محفوظة هنا:

Hilti Entwicklungsgesellschaft mbH | Zulassung Geräte | Hiltistraße 6 | 86916 Kaufering, DE

## 2 السلامة

### 1.2 إرشادات السلامة العامة المتعلقة بالأدوات الكهربائية

**⚠ تحذير احرص على قراءة جميع إرشادات السلامة، التوجيهات، الصور التوضيحية والمواصفات الفنية المرفقة مع هذه الأداة الكهربائية.** أي تقصير أو إهمال في الالتزام بالتعليمات التالية قد يتسبب في حدوث صق كهربائي، نشوب حريق و/أو وقوع إصابات خطيرة.

**احتفظ بجميع مستندات إرشادات السلامة والتعليمات لاستخدامها عند الحاجة إليها فيما بعد.**

يقصد بمصطلح «الأداة الكهربائية» المذكور في إرشادات السلامة الأدوات الكهربائية المشغلة بالكهرباء (باستخدام كابل الكهرباء) أو الأدوات الكهربائية المشغلة بالبطاريات (بدون كابل الكهرباء).

#### سلامة مكان العمل

◀ حافظ على نطاق عملك نظيفًا ومضاءً بشكل جيد. الفوضى أو أماكن العمل غير المضاءة يمكن أن تؤدي لوقوع حوادث.

◀ لا تعمل بالأداة الكهربائية في محيط معرض لخطر الانفجار يتواجد به سوائل أو غازات أو أنواع غبار قابلة للاشتعال. الأدوات الكهربائية تولد شررًا يمكن أن يؤدي لإشعال الغبار والأبخرة.

◀ احرص على إبعاد الأطفال والأشخاص الآخرين أثناء استخدام الأداة الكهربائية. في حالة انصراف انتباهك قد تفقد السيطرة على الجهاز.



## السلامة الكهربائية

- ◀ يجب أن يكون قابس توصيل الأداة الكهربائية متلائماً مع المقبس. لا يجوز تعديل القابس بأي حال من الأحوال. لا تستخدم قوايس مهايأة مع أدوات كهربائية ذات وصلة أرضي محمية. القوايس غير المعدلة والمقابس الملائمة تقلل من خطر حدوث صدمة كهربائية.
- ◀ تجنب حدوث تلامس للجسم مع أسطح مؤرضة مثل الأسطح الخاصة بالمواسير وأجهزة التدفئة والمواقف والتلجّات. ينشأ خطر متزايد من حدوث صدمة كهربائية عندما يكون جسمك متصلاً بالأرض.
- ◀ أبعد الأدوات الكهربائية عن الأمطار أو البلى. تسرب الماء إلى داخل الأداة الكهربائية يزيد من خطر حدوث صدمة كهربائية.
- ◀ لا تستخدم كابل التوصيل لحمل الأداة الكهربائية أو تعليقها أو لسحب القابس من المقبس. احتفظ بكابل التوصيل بعيداً عن السخونة والزيت والمواف الحادة والأجزاء المتحركة. كابلات التوصيل التالفة أو المتشابكة تزيد من خطر حدوث صعق كهربائي.
- ◀ عندما تعمل بأداة كهربائية في مكان مكشوف، فلا تستخدم سوى كابلات الإطالة المناسبة للعمل في النطاق الخارجي. استخدام كابل إطالة مناسب للعمل في النطاق الخارجي يقلل من خطر حدوث صعق كهربائي.
- ◀ إذا تعذر تجنب تشغيل الأداة الكهربائية في محيط رطب، فاستخدم مفتاح حماية من تسرب التيار. استخدام مفتاح الحماية من تسرب التيار يقلل خطر حدوث صدمة كهربائية.

## سلامة الأشخاص

- ◀ كن يقظاً وانتبه لما تفعل وتعامل مع الأداة الكهربائية بتعقل عند العمل بها. لا تستخدم الأداة الكهربائية عندما تكون متعباً أو تحت تأثير المخدرات أو الكحوليات أو العقاقير. فقد يتسبب عدم الانتباه للحظة واحدة أثناء الاستخدام في حدوث إصابات بالغة.
- ◀ ارتد تجهيزات وقاية شخصية وارتد دائماً نظارة واقية. ارتداء تجهيزات وقاية شخصية، مثل قناع الوقاية من الغبار وأحذية الأمان المضادة للانزلاق وخوذة الوقاية أو واقى السمع، تبعاً لنوع واستخدام الأداة الكهربائية، يقلل من خطر الإصابات.
- ◀ تجنب التشغيل بشكل غير مقصود. تأكد أن الأداة الكهربائية مطفاة قبل توصيلها بالكهرباء و/أو بالبطارية وقبل رفعها أو حملها. إذا كان إصبعك على المفتاح عند حمل الأداة الكهربائية أو كان الجهاز في وضع التشغيل عند التوصيل بالكهرباء، فقد يؤدي ذلك لوقوع حوادث.
- ◀ أبعد أدوات الضبط أو مفاتيح ربط البراغي قبل تشغيل الأداة الكهربائية. الأداة أو المفتاح المتواجد في جزء دوار من الجهاز يمكن أن يؤدي لحدوث إصابات.
- ◀ تجنب اتخاذ وضع غير طبيعي للجسم. احرص على أن تكون واقفاً بأمان وحافظ على توازنك في جميع الأوقات. من خلال ذلك تستطيع السيطرة على الأداة الكهربائية بشكل أفضل في المواقف المفاجئة.
- ◀ ارتد ملابس مناسبة. لا ترتد ملابس فضفاضة أو حلي. احرص على أن يكون الشعر والملابس والقفازات بعيدة عن الأجزاء المتحركة. الملابس الفضفاضة أو الحلي أو الشعر الطويل يمكن أن تشبك في الأجزاء المتحركة.
- ◀ إذا أمكن تركيب تجهيزات شطف وتجميع الغبار، فتأكد أنها موصلة ومستخدمة بشكل سليم. استخدام تجهيزة شطف الغبار يمكن أن يقلل الأخطار الناتجة عن الغبار.
- ◀ لا تعتقد بأنك في مأمن عن الخطر ولا تتجاهل تحذيرات السلامة المعنية للأدوات الكهربائية، حتى وإن كنت على دراية بالأداة الكهربائية بعد تكرار استخدامها. التعامل مع الجهاز بدون حذر قد يؤدي إلى وقوع إصابات بالغة في جزء من الثانية.

## استخدام الأداة الكهربائية والتعامل معها

- ◀ لا تفرط في التحميل على الجهاز. استخدم الأداة الكهربائية المناسبة للعمل الذي تقوم به. استخدام الأداة الكهربائية المناسبة يتيح لك العمل بشكل أفضل وأكثر أماناً في نطاق العمل المقرر.
- ◀ لا تستخدم أداة كهربائية ذات مفتاح تالف. الأداة الكهربائية التي لم يعد يمكن تشغيلها أو إطفائها تمثل خطورة ويجب إصلاحها.
- ◀ اسحب القابس من المقبس و/أو اخلع البطارية القابلة للخلع من الجهاز قبل إجراء عمليات الضبط، أو استبدال أجزاء الملحقات أو عند ترك الجهاز. هذا الإجراء الوقائي يمنع بدء تشغيل الأداة الكهربائية دون قصد.
- ◀ احتفظ بالأدوات الكهربائية غير المستخدمة بعيداً عن متناول الأطفال. لا تسمح باستخدام الجهاز من قبل أشخاص ليسوا على دراية به أو لم يقرءوا هذه التعليمات. الأدوات الكهربائية خطيرة في حالة استخدامها من قبل أشخاص ليست لديهم الخبرة الواجبة.
- ◀ اعتني جيداً بالأدوات الكهربائية والملحقات. افحص الأجزاء المتحركة من حيث أداؤها لوظيفتها بدون مشاكل وعدم انحصارها وافحصها من حيث وجود أجزاء مكسورة أو متعرضة للضرر يمكن أن تؤثر



- سلبا على وظيفة الأداة الكهربائية، اعمل على إصلاح الأجزاء التالفة قبل استخدام الجهاز. الكثير من الحوادث مصدرها الأدوات الكهربائية التي تم صيانتها بشكل رديء.
- حافظ على أدوات القطع حادة ونظيفة. تتميز أدوات القطع ذات حواف القطع المادة المعتنى بها بدقة بأنها أقل عرضة للتعثّر وأسهل في التعامل.
- استخدم الأداة الكهربائية والملحقات وأدوات العمل وخلافه طبقا لهذه التعليمات. احرص في هذه الأثناء على مراعاة اشتراطات العمل والمهمة المراد تنفيذها. استخدام الأدوات الكهربائية في تطبيقات غير تلك المقررة لها يمكن أن يؤدي لمواقف خطيرة.
- حافظ على المقابض ومواضع المسك في حالة جافة ونظيفة وخالية من الزيت والشحم. المقابض ومواضع المسك الانزلاقية تحول دون استعمال الأداة الكهربائية والتحكم بها بشكل آمن في المواقف غير المتوقعة.

#### استخدام الأداة العاملة بالبطارية والتعامل معها

- لا تشحن البطارية إلا في أجهزة شحن موصى بها من قبل الجهة الصانعة. بالنسبة لجهاز الشحن المناسب لنوع معين من البطاريات، ينشأ خطر الحريق عند استخدامه مع بطاريات أخرى.
- لا تضع في الأدوات الكهربائية سوى البطاريات المخصصة لها. استخدام بطاريات أخرى يمكن أن يؤدي لوقوع إصابات وخطر الحريق.
- أبعد البطارية غير المستخدمة عن مشابك الورق وقطع النقود المعدنية والمفاتيح والمسامير والبراغي أو الأشياء المعدنية الصغيرة الأخرى التي يمكن أن تتسبب في توصيل الملامسين لبعضهما. حدوث قفلة كهربائية بين أطراف توصيل البطارية يمكن أن ينتج عنه حدوث حروق أو نشوب حريق.
- عند الاستخدام بشكل خاطئ يمكن أن يتسرب سائل من البطارية. تجنب ملامسته. اشطفه بالماء في حالة ملامسته عن طريق الخطأ. إذا وصل السائل للعينين، فتوجه للطبيب علاوة على ذلك. سائل البطارية المتسرب يمكن أن يؤدي لتبيح البشرة أو حدوث حروق.
- لا تستخدم بطارية تالفة أو مختلفة. البطاريات التالفة أو المختلفة قد تتفاعل مع نفسها بشكل غير متوقع مما يؤدي لنشوب حريق أو حدوث انفجار أو وقوع إصابات.
- لا تشحن البطارية للنار أو لدرجات حرارة مرتفعة للغاية. حيث قد تؤدي النار ودرجات الحرارة الزائدة عن 130 م° (265 ف°) إلى حدوث انفجار.
- الترم بكافة التعليمات المعنية بالشحن، ولا تقم أبداً بشحن البطارية أو الأداة العاملة بالبطارية خارج نطاق درجة الحرارة الوارد ذكره في دليل التشغيل. الشحن بشكل خاطئ أو خارج نطاق درجة الحرارة المسموح به قد يتلف البطارية ويزيد من خطر الحريق.

#### الخدمة

- اعمل على إصلاح أداتك الكهربائية على أيدي فنيين معتمدين فقط والاقصر على استخدام قطع الغيار الأصلية. وبذلك تتأكد من الحفاظ على سلامة الجهاز.
- لا تقم أبداً بصيانة البطاريات التالفة. يجب أن تتم جميع أعمال الصيانة بمعرفة الجهة الصانعة فقط أو من خلال مراكز خدمة العملاء المعتمدين.

### 2.2 إرشادات السلامة الخاصة بالمنشآت الشريطية

- احرص على مسك الأداة الكهربائية من مواضع المسك المعزولة عند إجراء أعمال يحتمل فيها أن تتلامس الأداة الكهربائية مع أسلاك كهربائية مخفية. حيث أن ملامسة سلك يسري فيه التيار الكهربائي يمكن أن ينقل الجهد الكهربائي للأجزاء المعدنية بالجهاز ويؤدي لحدوث صدمة كهربائية.

### 3.2 إرشادات إضافية للسلامة

- لا تدخل يديك في نطاق النشر ولا تلامس شريط المنشار. أمسك بيدك الثانية المقبض المزود بمفتاح الأمان. عندما تمسك المنشار بكتلتا يديك، فلن يتعرض للإصابة نتيجة القطع بالمنشار.
- اقتصر على استخدام المنتج والملحق وهما في حالة سليمة من الناحية الفنية.
- لا تقم أبداً بإجراء أية تدخلات أو تغييرات على المنتج أو الملحق.
- لا تقم بتشغيل المنتج حتى تقوم بنقله إلى وضع العمل.
- تجنب ملامسة الأجزاء الدوارة - خطر الإصابة!
- توخ الحذر عند رفع و/أو حمل المنتج، لأن شريط المنشار حاد ويمكن أن يتسبب في الإصابة بجروح قطعية أو أضرار مادية.
- احرص أثناء استخدام المنتج على ارتداء نظارة واقية وخوذة حماية وواق للسمع.
- قم بارتداء قفازا واقيا أثناء تغيير الأدوات. ملامسة أداة الشغل قد تؤدي لوقوع إصابات بجروح قطعية وإصابة بحروق.



يمكن أن يحتوي الغبار الناتج عن التجليخ والسفرة والقطع والثقب على مواد كيميائية خطيرة. بعض الأمثلة: الرصاص أو الدهانات التي تحتوي على الرصاص، القرميد والخرسانة ومنتجات البناء الأخرى وأحجار البناء الطبيعية والمنتجات الأخرى المحتوية على السيليكات، بعض الأخشاب مثل البلوط والزان والأخشاب المعالجة كيميائياً، الأبيستوس أو الفامات المحتوية على الأبيستوس. قم بتحديد مدى تعرض المستخدم والأشخاص المحيطين لفئة خطر الفامات التي يجري العمل عليها. اتخذ التدابير اللازمة للحفاظ على مدى التعرض في مستوى آمن، على سبيل المثال، استخدام نظام تجميع الغبار أو ارتداء كمامة مناسبة للتنفس. تشمل التدابير العامة للحد من مدى التعرض ما يلي:

- ◀ العمل في نطاق جيد التهوية.
- ◀ تجنب ملامسة الغبار لفترة طويلة.
- ◀ إزالة الغبار عن الوجه والجسم.
- ◀ ارتداء بزة واقية وغسل المناطق المكشوفة بالماء والصابون.
- ◀ لا تستخدم شريط المنشار إلا عندما يكون غطاء شريط المنشار مركباً بشكل صحيح لتجنب وقوع إصابات.
- ◀ عند القطع الطولي استخدم دائماً مصداً أو مجرى دليلاً مستقيماً للحواف. ومن شأن ذلك تحسين دقة القطع وتقليل احتمالية انحصار شفرة المنشار.
- ◀ لا تمسك قطعة الشغل التي تريد قطعها بالمنشار أبداً باليد أو بأي جزء آخر من أجزاء جسمك. وقم بتثبيت قطعة الشغل على قاعدة ثابتة. ومن المهم تثبيت قطعة الشغل جيداً للحد من خطر ملامسة أجزاء الجسم أو انحصار شفرة المنشار أو فقدان السيطرة عليها.
- ◀ أمسك المنتج دائماً بكلتا يديك جيداً من المقابض المعنية، واجعل ذراعيك في وضع يتيح لك امتصاص قوى الارتداد.
- ◀ حافظ على المقابض جافة ونظيفة وخالية من الزيت والشحم.
- ◀ قف دائماً في وضع جانبي لشفرة المنشار، ولا تجعل شفرة المنشار على خط واحد أبداً مع جسمك. في حالة حدوث ارتداد، فقد يرتد المنشار للخلف!
- ◀ احرص على الوقوف بشكل آمن، ولا سيما في الأعمال التي تكون فوق مستوى الرأس. الاختراق المفاجئ يمكن أن يتسبب في إخلال توازنك.
- ◀ في أعمال الاختراق قم بتأمين كلا جانبي قطعة الشغل. يمكن أن تتساقط الشظايا المتناثرة وتسبب إصابات.
- ◀ إذا تعرضت شفرة المنشار للانحصار أو توقفت عن العمل، فأوقف المنشار واحتفظ به في قطعة الشغل في وضع ساكن، إلى أن تتوقف شفرة المنشار تماماً. لا تحاول أبداً نزع المنشار من قطعة الشغل أو سحبه للخلف طالما كانت شفرة المنشار تتحرك، وإلا فقد يحدث ارتداد.
- ◀ إذا أردت إعادة تشغيل منشار وهو داخل قطعة الشغل، فقم بمركزة شفرة المنشار في شق النشر وتحقق من أن أسنان المنشار ليست عالقة في قطعة الشغل.
- ◀ احرص على توخي الحذر الشديد عند القطع بالمنشار في الجدران القائمة أو النطاقات الأخرى الكامنة. فشفرة المنشار المتوغلة في السطح يمكن أن تصطدم بأشياء مخفية أثناء القطع وتتسبب في حدوث ارتداد.
- ◀ خذ قسطاً من الراحة بشكل متكرر وقم بتمارين استرخاء لسريان الدم في الأصابع بشكل أفضل. عند القيام بأعمال لفترات طويلة، فقد تحدث اضطرابات في الأوعية الدموية أو الجهاز العصبي بسبب كثرة الاهتزازات على الأصابع أو الأيدي أو المعصم اليد.
- ◀ لا تنظر بشكل مباشر إلى مصدر الإضاءة (لمبة LED) الخاصة بالمنتج ولا تقم بتوجيه الإضاءة إلى أوجه أشخاص آخرين. فهناك خطر الإصابة بالعمى.
- ◀ تأكد أن شريط المنشار مركب بشكل صحيح قبل البدء في النشر. يمكن أن ينحصر شريط المنشار المركب بشكل خاطئ ويتسبب في حدوث حركة ارتدادية.
- ◀ خطر الإصابة من جراء سقوط الأدوات و/أو الملحقات. تأكد قبل بدء العمل أن البطارية والملحقات المركبة مثبتة بشكل آمن.

### السلامة الكهربائية

- ◀ قبل بدء الأعمال افحص نطاق العمل من حيث وجود توصيلات كهرباء مغطاة أو مواسير للغاز والماء. الأجزاء المعدنية الخارجية بالمنتج يمكن أن تتسبب في صدمة كهربائية أو انفجار، إذا قمت بإتلاف إحدى توصيلات التيار أو ماسورة الغاز أو الماء.
- ◀ عند قطع خطوط الأنابيب، في إطار أعمال الهدم والإنشاء مثلاً، تأكد أن خطوط الأنابيب ليس بها أية سوائل، وقم بتفريغها من السوائل إن وُجدت. احرص عند قطع خطوط الأنابيب على أن يكون المنتج أعلى من خط الأنابيب المراد قطعه. لا يتمتع المنتج بأية حماية ضد تسرب الرطوبة.

### الاستخدام والتعامل بعناية مع الأدوات الكهربائية

- ◀ اقتصر على استخدام أسرطة المنشار بالمقاس المقرر.



- ◀ لا تستخدم أشرطة المنشار الثلثة أو المتضررة. حيث إن هذه الأشرطة تتسبب في زيادة الاحتكاك، أو انحصار أو ارتداد شريط المنشار.
- ◀ احرص على مراعاة تعليمات الجهة الصانعة بخصوص طريقة التعامل مع أشرطة المنشار وحفظها.

#### 4.2 التعامل بعناية مع الأجهزة العاملة بالبطاريات واستخدامها

- ◀ احرص على مراعاة إرشادات السلامة التالية للتعامل والاستخدام الآمن لبطاريات أيونات الليثيوم. وعدم مراعاة ذلك قد يؤدي إلى حدوث تيجيات للبشرة، إصابات أكلة بالغة، حروق كيميائية، حرائق و/ أو انفجارات.
- ◀ اقتصر على استخدام البطاريات وهي في حالة سليمة من الناحية الفنية.
- ◀ احرص على التعامل مع البطاريات بعناية لتجنب وقوع أضرار ومنع تسرب السوائل التي قد تضر بالصحة بصورة كبيرة!
- ◀ لا يجوز بأي حال من الأحوال تعديل البطاريات أو العبث بها!
- ◀ لا يجوز تفكيك البطاريات أو سحبقها أو وضعها في درجة حرارة أعلى من 80° م (176° ف) أو حرقها.
- ◀ لا تقم باستخدام أو شحن بطاريات تعرضت لصدّات أو أي نوع آخر من الأضرار. افحص البطاريات بشكل دوري بحثاً عن علامات التلف.
- ◀ لا تقم مطلقاً باستخدام بطاريات مُعاد تدويرها أو التي تم إصلاحها.
- ◀ لا تستخدم أبداً البطارية أو أية أداة كهربائية مشغلة بالبطارية كمطرقة.
- ◀ لا تقم مطلقاً بتعرض البطاريات لأشعة الشمس المباشرة أو درجات الحرارة المرتفعة أو تولد الشرر أو اللهب المكشوف. فقد يؤدي ذلك إلى حدوث انفجارات.
- ◀ لا تلمس أقطاب البطارية بأصابعك، أدوات، خُلي أو أية أشياء أخرى موصلة للكهرباء. فقد يؤدي ذلك إلى إلحاق الضرر بالبطارية وحدوث أضرار مادية والإصابات.
- ◀ احتفظ بالبطاريات بعيداً عن الأمطار والبلل والسوائل. فالرطوبة المتسربة قد تتسبب في حدوث قفلات كهربائية، صدمات كهربائية، حرائق وانفجارات.
- ◀ اقتصر على استخدام الشواحن والأدوات الكهربائية المقررة لهذه البطارية. يلزم مراعاة المعلومات الواردة في دليل الاستعمال المعني.
- ◀ لا تقم باستخدام أو تخزين البطارية في النطاقات المُعرضة لخطر الانفجار.
- ◀ في حالة السخونة الشديدة للبطارية بحيث يتعذر الإمساك بها، فقد تكون تالفة. احرص على وضع البطارية في مكان مرئي وغير قابل للاشتعال مع وجود مسافة كافية من الخامات القابلة للاشتعال. اترك البطارية تبرد. إذا ظلت البطارية ساخنة بعد مرور ساعة لدرجة تعذر لمسها، فهذا يعني أنها تالفة. توجه إلى مركز خدمة Hilti أو اقرأ المستند "إرشادات لسلامة واستخدام بطاريات أيونات الليثيوم Hilti".

احرص على مراعاة اللوائح الخاصة التي تسري على نقل وتخزين واستخدام بطاريات أيونات الليثيوم.



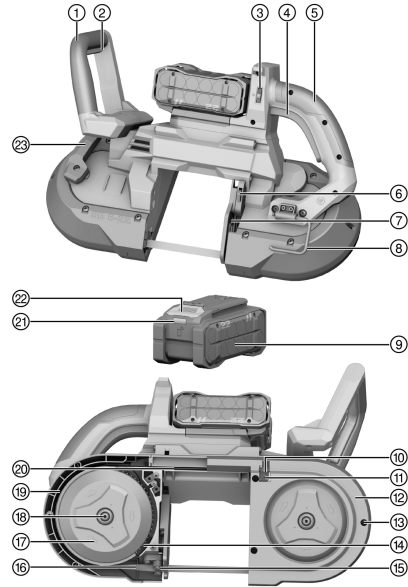
← صفحة 199

اقرأ إرشادات سلامة واستخدام بطاريات أيونات الليثيوم Hilti، التي يمكنك العثور عليها عن طريق مسح كود الاستجابة السريعة الموجود في نهاية دليل الاستعمال هذا.



1.3 نظرة عامة على المنتج 1

- ① مقبض مزود بمفتاح أمان
- ② مفتاح الأمان
- ③ مفتاح عدد اللفات
- ④ مفتاح التحكم
- ⑤ مقبض مزود بمفتاح تحكم
- ⑥ قفل مجرى القطع
- ⑦ مجرى القطع
- ⑧ خفاف تعليق
- ⑨ البطارية
- ⑩ اللوح الحامل
- ⑪ برغي اللوح الحامل
- ⑫ غطاء شريط المنشار
- ⑬ برغي غطاء شريط المنشار
- ⑭ حوزز المجرى
- ⑮ مجرى شريط المنشار
- ⑯ شريط المنشار
- ⑰ البكرة
- ⑱ تثبيت البكرة
- ⑲ حلقة مطاطية
- ⑳ حوزز مجرى شريط المنشار
- ㉑ مبين حالة البطارية
- ㉒ زر تحرير البطارية
- ㉓ ذراع شد شريط المنشار



2.3 الاستخدام المطابق للتعليمات

المنتج الموضح عبارة عن منشار شريطي مشغل بالبطارية. وهو مصمم لقطع المواد المعدنية والمواد البلاستيكية.

المنتج مصمم للاستخدام بكلتا اليدين.

- اقتصر على استخدام بطاريات أيونات الليثيوم Nuron من Hilti من النوع B 22 مع هذا المنتج. لتحقيق القدرة المثالية، توصي Hilti باستخدام البطاريات المذكورة بالجدول الوارد بنهاية دليل الاستعمال هذا مع هذا المنتج.
- اقتصر على استخدام شواحن Hilti من الأنواع المذكورة بالجدول الوارد بنهاية دليل الاستعمال هذا لشحن هذه البطاريات.

3.3 مجموعة التجهيزات الموردة

المنشار الشريطي، دليل الاستعمال

تجد المزيد من منتجات النظام المسموع بها للمنتج الخاص بك لدى متجر Hilti Store أو على موقع الإنترنت: [www.hilti.group](http://www.hilti.group)

4.3 بيانات بطارية أيونات الليثيوم

يمكن لبطاريات أيونات الليثيوم Hilti Nuron عرض حالة الشحن وبلاغات الأخطاء وحالة البطارية.

1.4.3 عرض حالة الشحن وبلاغات الأخطاء



خطر الإصابة بسبب سقوط البطارية!

- بينما البطارية مركبة، تأكد بعد الضغط على زر التحرير أنك قمت بإعادة تثبيت البطارية بشكل صحيح في المنتج المستخدم.

لكي يتسنى الحصول على أحد البيانات التالية، اضغط لوهلة قصيرة على زر تحرير البطارية.



وأيضًا يتم باستمرار عرض حالة الشحن وكذلك الاختلالات المُحتملة طوال فترة تشغيل المنتج الموصّل.

الحالة	الاستعمال
تضيء أربع لمبات LED (4) باستمرار باللون الأخضر	حالة الشحن: 100 % إلى 71 %
تضيء ثلاث لمبات LED (3) باستمرار باللون الأخضر	حالة الشحن: 70 % إلى 51 %
تضيء لمبتا LED (2) باستمرار باللون الأخضر	حالة الشحن: 50 % إلى 26 %
تضيء لمبة LED واحدة (1) باستمرار باللون الأخضر	حالة الشحن: 25 % إلى 10 %
تومض لمبة LED واحدة (1) ببطء باللون الأخضر	حالة الشحن: > 10 %
تومض لمبة LED واحدة (1) بسرعة باللون الأخضر	بطارية أيونات الليثيوم فارغة الشحنة تمامًا. اشحن البطارية. إذا استمر وميض لمبة LED بسرعة بعد شحن البطارية، توجه إلى مركز خدمة Hilti.
تومض لمبة LED واحدة (1) بسرعة باللون الأصفر	هناك تحميل زائد على بطارية أيونات الليثيوم أو المنتج المرتبط بها أو بهما سخونة زائدة أو برودة زائدة أو بهما خطأ آخر. اعمل على توفير درجة حرارة العمل الموصى بها للمنتج والبطارية، واحرص على ألا يتعرض المنتج للتحميل الزائد عند استخدامه. إذا استمر وجود البلاغ، توجه إلى مركز خدمة Hilti.
تضيء لمبة LED واحدة (1) باللون الأصفر	بطارية أيونات الليثيوم والمنتج المرتبط بها ليسا متوافقين. يُرجى التوجه إلى مركز خدمة Hilti.
تومض لمبة LED واحدة (1) بسرعة باللون الأحمر	تم تعطيل بطارية أيونات الليثيوم ولا يمكن مواصلة استخدامها. يُرجى التوجه إلى مركز خدمة Hilti.

#### 2.4.3 عرض حالة البطارية

للاستفسار عن حالة البطارية، احتفظ بزر التحرير مضمونًا لمدة تزيد على ثلاث ثوانٍ. لا يكتشف النظام أي عطل محتمل في البطارية بسبب سوء الاستخدام، على سبيل المثال السقوط أو الثقب أو الأضرار الخارجية بفعل الحرارة، وما إلى ذلك

الحالة	الاستعمال
تضيء جميع لمبات LED كخط إضاءة متتابع، وبعد ذلك تضيء لمبة LED واحدة (1) باستمرار باللون الأخضر.	لا يزال من الممكن استخدام البطارية.
تضيء جميع لمبات LED كخط إضاءة متتابع، وبعد ذلك تومض لمبة LED واحدة (1) بسرعة باللون الأصفر.	تعذر إتمام الاستعلام عن حالة البطارية. كرر العملية أو توجه إلى مركز خدمة Hilti.
تضيء جميع لمبات LED كخط إضاءة متتابع، وبعد ذلك تضيء لمبة LED واحدة (1) باستمرار باللون الأحمر.	إذا كان لا يزال من الممكن استخدام منتج موصّل، تكون قدرة البطارية المتبقية أقل من 50%. إذا لم يعد من الممكن استخدام منتج موصّل، فهذا يعني أن البطارية في نهاية عمرها الافتراضي ويجب تغييرها. يُرجى التوجه إلى مركز خدمة Hilti.

#### 4 المواصفات الفنية

الوزن حسب EPTA Procedure 01 بدون البطارية	6.5 كجم
الجهد الكهربائي الاسمي	21.6 فولت
في الوضع المايد	150 م/دقيقة
أقصى عمق للقطع	127 مم
أبعاد المنتج (الطول x العرض x الارتفاع)	525 مم x 175 مم x 375 مم
أبعاد شريط المنشار (الطول x العرض x السمك)	1,140 مم x 12.4 مم x 0.5 مم
درجة الحرارة المحيطة أثناء التشغيل	-17° م ... 60° م
درجة حرارة التخزين	-20° م ... 70° م



## 1.4 البطارية

جهد تشغيل البطارية	21.6 فولت
وزن البطارية	انظر نهاية هذا الدليل
درجة الحرارة المحيطة أثناء التشغيل	-17° م ... 60° م
درجة حرارة التخزين	-20° م ... 40° م
درجة حرارة البطارية عند بدء الشحن	-10° م ... 45° م

## 2.4 معلومات الضجيج وقيم الاهتزاز طبقا للمواصفة EN 60745

تم قياس قيم ضغط الصوت والاهتزاز الواردة في هذا الدليل طبقا لعملية قياس معايرة ويمكن الاستعانة بها في مقارنة الأدوات الكهربائية مع بعضها البعض. وهي تصلح أيضا لتقدير المخاطر بصورة مؤقتة. المواصفات الواردة تتعلق بالاستخدامات الأساسية للأداة الكهربائية. أما إذا تم استخدام الأداة الكهربائية في تطبيقات أخرى مع أدوات شغل مخالفة للمواصفات أو دون صيانة كافية، ففي هذه الحالة قد تختلف البيانات. وقد يزيد هذا من المخاطر خلال مدة العمل بالكامل بصورة واضحة. ولتقدير المخاطر تقديرا دقيقا ينبغي أيضا مراعاة الأوقات التي يتم فيها إيقاف الجهاز أو التي يكون فيها الجهاز مشغلا ولكن دون استخدام حقيقي. وقد يقلل هذا من المخاطر خلال مدة العمل بالكامل بصورة واضحة. احرص على مراعاة تدابير السلامة الإضافية لحماية المستخدم من تأثير الصوت و/أو الاهتزازات مثل: صيانة الأداة الكهربائية وأدوات العمل والحفاظ على الأيدي في حالة دافئة وتنظيم مراحل العمل.

### معلومات الضجيج

مستوى شدة الصوت ( $L_{WA}$ )	86 ديسيبل (A)
نسبة التفاوت لمستوى شدة الصوت ( $K_{WA}$ )	3 ديسيبل (A)
مستوى ضغط الصوت ( $L_{pA}$ )	75 ديسيبل (A)
نسبة التفاوت لمستوى ضغط الصوت ( $K_{pA}$ )	3 ديسيبل (A)

### قيم الاهتزاز الإجمالية

قيم انبعاث الاهتزازات عند القطع في المعدن (ah,CM)	B 22-55	0.8 م/ثانية <sup>2</sup>
	B 22-255	0.7 م/ثانية <sup>2</sup>
نسبة التفاوت (K)		1.5 م/ثانية <sup>2</sup>

## 5 التحضير للعمل

### تحذير

خطر الإصابة من خلال التشغيل غير المقصود!

- تأكد قبل إدخال البطاريات أن الجهاز المختص مطفأ.
- اخلع البطارية قبل إجراء عمليات ضبط الجهاز أو تغيير أجزاء الملحقات التكميلية.

تراجع إرشادات الأمان والإرشادات التحذيرية الواردة في هذا المستند وعلى الجهاز.

## 1.5 شحن البطارية

- قبل الشحن، قم بقراءة دليل استعمال جهاز الشحن.
- احرص على أن تكون أطراف تلامس البطارية وجهاز الشحن نظيفة وجافة.
- قم بشحن البطارية باستخدام شاحن مصمم به. ← صفحة 192

## 2.5 تركيب البطارية

### تحذير

خطر الإصابة من خلال قفلة كهربائية أو سقوط البطارية!

- تأكد قبل تركيب البطاريات في الجهاز من عدم وجود أجسام غريبة بين أطراف توصيل البطارية والجهاز.
- تأكد من تثبيت البطارية بشكل صحيح دائما.

- اشحن البطارية لآخرها تماما قبل التشغيل لأول مرة.
- قم بتحريك البطارية في المنتج إلى أن تستقر في موضعها بصوت مسموع.





3. تفحص البطارية من حيث ثباتها في موضعها بشكل جيد.

### 3.5 خلع البطارية

1. اضغط على زر تحرير البطارية.
2. اسحب البطارية من المنتج.

### 4.5 تغيير شريط المنشار 2

#### تحذير

- خطر الإصابة من خلال شريط المنشار.** يمكن أن يكون شريط المنشار ساخناً وأو حاد الحواف وقد يتمزق أحياناً.
- ◀ ارتد قفازات واقية وواقياً للعين أثناء العمل وعند تغيير شريط المنشار.
  - ◀ لا تستخدم المنشار الشريطي إلا عندما يكون غطاءً شريط المنشار مركباً بشكل صحيح.
  - ◀ لا تضع المنشار الشريطي المستخدم أبداً على أرضيات قابلة للاشتعال.

#### تنبيه

- أضرار مادية بسبب استخدام شريط منشار غير مناسب.** يمكن أن يؤدي استخدام شريط منشار غير مناسب إلى حدوث تدهور مبكر في خواص المادة وأضرار بالمنشار الشريطي.
- ◀ اختر شريط المنشار المناسب للمنشار الشريطي والمادة.
  - ◀ اختر شريط المنشار ذا توزيع الأسنان (الأسنان في كل بوصة) المناسب للمادة المراد نشرها: توزيع الأسنان المرتفع للمواد الصلبة/الرقيعة، توزيع الأسنان المنخفض للمواد اللينة/السميكة.
  - ◀ اقتصر على استخدام أسرطة المنشار التي تبلغ سماكتها 0,5 مم. أسرطة المنشار الأكثر سماً من ذلك توفر قوة تحمل أعلى للانحناء، وتؤدي لتآكل أسنان المنشار بصورة أسرع.
  - ◀ اختر شريط المنشار بحيث يستقر على قطعة الشغل اثنان من أسنان المنشار على الأقل.
  - ◀ استخدم أسرطة المنشار ذات الأبعاد 1140 مم × 12,5 مم × 0,5 مم فقط.

1. قم بمل براغي كلا غطائي شريط المنشار.
2. اخلع غطائي شريط المنشار.
3. أدر ذراع الشد حتى النهاية.
  - ◀ فيتم تخفيف شد شريط المنشار.
4. أخرج شريط المنشار من المجرى وتخلص منه.
5. قم بتركيب شريط المنشار الجديد في مجرى شريط المنشار.
6. مرر شريط المنشار الجديد حول البكرتين.
7. قم بتركيب شريط المنشار الجديد في حوز مجرى شريط المنشار.
8. تحقق من التثبيت الصحيح لشريط المنشار.
9. أدر ذراع الشد حتى النهاية.
  - ◀ فيتم شد شريط المنشار.
10. قم بتركيب غطائي شريط المنشار.
11. أحكم ربط براغي كلا غطائي شريط المنشار.

### 5.5 تجهيز الحماية من السقوط

#### تحذير

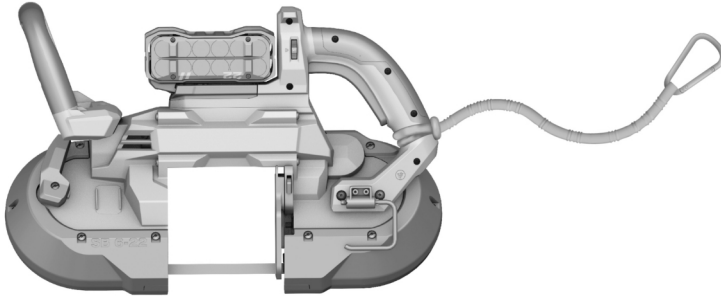
- خطر الإصابة من جراء أدوات الشغل وأو الملحقات المتساقطة!**
- ◀ اقتصر على استخدام حزام تثبيت أداة الشغل من Hilti الموصى به لمنتجك.
  - ◀ افحص نقطة تثبيت حزام تثبيت أداة الشغل قبل كل استخدام بحثاً عن الأضرار المحتملة.

احرص على مراعاة اللوائح المحلية لبلدك للعمل على المرتفعات.



اقتصر على استخدام حزام تثبيت أداة الشغل #2261971 من Hilti كتجهيز حماية من السقوط مع هذا المنتج.





- ◀ قم بتثبيت حزام تثبيت أداة الشغل على المنتج باستخدام الحلقة كما هو موضح في الصورة. تحقق من التثبيت الآمن.
- ◀ قم بتثبيت المشبك بهيكل داعم. تحقق من التثبيت الآمن للمشبك.

احرص على مراعاة دليل الاستعمال الخاص بحزام تثبيت أداة الشغل Hilti.



## 6 الاستعمال

تراجع إرشادات الأمان والإرشادات التحذيرية الواردة في هذا المستند وعلى الجهاز.

### 1.6 ضبط مجرى القطع

1. اضغط على قفل مجرى القطع وثبته.
2. حرّك مجرى القطع إلى الارتفاع المرغوب.
3. اترك قفل مجرى القطع.

### 2.6 النشر 1, 2, 4

#### تحذير ⚠

**خطر الإصابة** من خلال ارتداد المنشار الشريطي.

- ◀ قم بتثبيت قطعة الشغل، على سبيل المثال في منجلة قبل النشر.
- ◀ قم بضبط محاذاة المنشار الشريطي في مواجهة قطعة الشغل.

#### تحذير ⚠

**خطر الإصابة** من خلال استمرار تحرك المنشار.

- ◀ لا ترفع المنتج عن قطعة الشغل إلا بعد أن يتوقف تماما.
- ◀ انتظر حتى يتوقف المنتج تماما قبل تخزينه.

#### تحذير ⚠

**خطر الإصابة من خلال شريط المنشار.** يمكن أن يكون شريط المنشار ساخنا و/أو حاد الحواف وقد يتمزق أحيانا.

- ◀ ارتد قفازات واقية وواقيا للعين أثناء العمل وعند تغيير شريط المنشار.
- ◀ لا تستخدم المنشار الشريطي إلا عندما يكون غطاء شريط المنشار مركبًا بشكل صحيح.
- ◀ لا تضع المنشار الشريطي المستخدم أبدًا على أرضيات قابلة للاشتعال.



- أضرار مادية بسبب استخدام شريط منشار غير مناسب.** يمكن أن يؤدي استخدام شريط منشار غير مناسب إلى حدوث تدهور مبكر في خواص المادة وأضرار بالمنشار الشريطي.
- ◀ اختر شريط المنشار المناسب للمنشار الشريطي والمادة.
  - ◀ اختر شريط المنشار ذا توزيع الأسنان (الأسنان في كل بوصة) المناسب للمادة المراد نشرها: توزيع الأسنان المرتفع للمواد الصلبة/الرفيعة، توزيع الأسنان المنخفض للمواد اللينة/السميكة.
  - ◀ اقتصر على استخدام أشربة المنشار التي تبلغ سماكتها 0,5 مم. أشربة المنشار الأكثر سماً من ذلك توفر قوة تحمل أعلى للاتناء، وتؤدي لتآكل أسنان المنشار بصورة أسرع.
  - ◀ اختر شريط المنشار بحيث يستقر على قطعة الشغل اثنان من أسنان المنشار على الأقل.
  - ◀ استخدم أشربة المنشار ذات الأبعاد 1140 مم × 12,5 مم × 0,5 مم فقط.

افحص الحلقة المطاطية على فترات منتظمة من حيث وجود أضرار بها.  
بعد كل استخدام للمنشار قم بتنظيف أعطية شريط المنشار ومجرى القطع من الأتربة والرايش، وذلك لإطالة عمر المنشار الشريطي.

**i** لتشغيل المنشار الشريطي يجب عليك: الضغط أولاً على مفتاح التحكم ثم مفتاح الأمان، والاحتفاظ بهما مضغوطين في نفس الوقت.

**i** يكفي وزن المنشار الشريطي لعمل القطع. فلا تبذل أي ضغط إضافي على المنشار الشريطي.

1. قم عند اللزوم بتغيير الحلقة المطاطية. ← صفحة 198
2. قم عند اللزوم بتغيير شريط المنشار. ← صفحة 195
3. اضغط مع الاستمرار على مفتاح التحكم.
4. اضغط مع الاستمرار على مفتاح الأمان.
5. ضع المنشار الشريطي على قطعة الشغل بحيث يكون أكبر عدد من أسنان المنشار مستقرًا على قطعة الشغل.
6. قم بتنفيذ أعمال النشر.

**i** قم بتمرير المنشار الشريطي بحيث تظل ثلاثة من أسنان المنشار دائمًا في القطع.

7. اترك مفتاح التحكم.

## 7 العناية والصيانة

### تحذير ⚠

#### خطر الإصابة عند تكون البطارية مركبة!

- ◀ احرص على خلع البطارية دائمًا قبل جميع أعمال الإصلاح والعناية!

#### العناية بالمنتج

- احرص على إزالة الاتساخات شديدة الالتصاق مع توخي الحرص.
- في حالة وجودها، قم بتنظيف فتحات التهوية بحرص باستخدام فرشاة جافة وناعمة.
- قم بتنظيف جسم المنتج باستخدام قطعة قماش مبللة بعض الشيء. لا تستخدم مواد عناية محتوية على سبليكون، نظرًا لأنها قد تؤدي إلى تلف الأجزاء البلاستيكية.
- استخدم قطعة قماش نظيفة وجافة لتنظيف ملامسات المنتج.

#### العناية ببطاريات أيونات الليثيوم

- لا تقم مطلقًا باستخدام بطارية ذات فتحات تهوية مسدودة. قم بتنظيف فتحات التهوية بحرص باستخدام فرشاة جافة وناعمة.
- تجنب تعريض البطارية للغبار أو الاتساخات دون داع. لا تقم مطلقًا بتعرض البطارية للرطوبة المرتفعة (على سبيل المثال، غمرها في الماء أو تركها تحت الأمطار).
- في حالة بلل البطارية، تعامل معها كبطارية تالفة. اعزل البطارية في وعاء غير قابل للاشتعال وتوجه إلى مركز خدمة Hilti.



- حافظ على البطارية خالية من الزيت والشحم الخارجي. لا تسمع للغيار أو الاتساخات بالتراكم دون داع على البطارية. قم بتنظيف البطارية باستخدام فرشاة جافة وناعمة أو قطعة قماش نظيفة وجافة. لا تستخدم مواد عناية محتوية على سيليكون، نظرًا لأنها قد تؤدي إلى تلف الأجزاء البلاستيكية.
- لا تلمس ملامسات البطارية ولا تقم بإزالة الشحم الموجود من قبل المصنع عن الملامسات.
- قم بتنظيف جسم المنتج باستخدام قطعة قماش مُبللة بعض الشيء. لا تستخدم مواد عناية محتوية على سيليكون، نظرًا لأنها قد تؤدي إلى تلف الأجزاء البلاستيكية.

### الصيانة

- احرص بصورة منتظمة على فحص الأجزاء المرئية من حيث وجود أضرار وافحص عناصر الاستعمال من حيث كفاءتها الوظيفية.
- لا تقم بتشغيل الجهاز في حالة وجود أضرار و/أو اختلالات وظيفية. احرص على إصلاح الجهاز على وجه السرعة لدى خدمة Hilti.
- بعد أعمال العناية والإصلاح قم بتركيب جميع تجهيزات الحماية وافحصها من حيث الأداء الوظيفي السليم.

للتنشغيل الآمن اقتصر على استخدام قطع الغيار الأصلية وخامات الشغل. تمتد قطع الغيار وخامات الشغل والملحقات المصرح بها من Hilti للمنتج الخاص بك في متجر **Hilti Store** أو على موقع الإنترنت: [www.hilti.group](http://www.hilti.group)

## 1.7 تغيير غطاء شريط المنشار 5

قم بتغيير غطاء شريط المنشار بمجرد التحقق من وجود أضرار به.

1. قم بحل براغي غطاء شريط المنشار.
2. قم بفك غطاء شريط المنشار التالف وتخلص منه.
3. قم بتركيب غطاء شريط المنشار الجديد على المنشار الشريطي.
4. أحكم ربط براغي غطاء المنشار بعزم 2 إلى 3 نيوتن متر.

## 2.7 تغيير الحلقة المطاطية 6

قم بتغيير الحلقة المطاطية بمجرد التحقق من وجود أضرار بها.

1. قم بفك شريط المنشار – صفحة 195.
2. أخرج الحلقة المطاطية.
3. تحقق من عدم وجود اتساخات على حزوز المجرى وتنظيفها إذا لزم الأمر.
4. قم بشد الحلقة المطاطية الجديدة على بكرة شريط المنشار.
5. استمر في ضبط محاذاة الحلقة المطاطية حتى تلتصق تمامًا بحزوز المجرى.
6. قم بتركيب شريط المنشار مرة أخرى. – صفحة 195.

## 3.7 تغيير مجرى شريط المنشار 7

قم بتغيير مجرى شريط المنشار بمجرد التحقق من وجود أضرار به، على سبيل المثال إذا أحدث شريط المنشار شقًا مفرزًا.

1. قم بفك شريط المنشار – صفحة 195.
2. قم بحل برغي مجرى شريط المنشار.
3. أخرج مجرى شريط المنشار التالف من المنشار الشريطي وتخلص منه.
4. قم بتركيب مجرى شريط المنشار الجديد في المنشار الشريطي.
5. أحكم ربط برغي مجرى المنشار بعزم 2 إلى 3 نيوتن متر.
6. قم بتركيب شريط المنشار مرة أخرى. – صفحة 195.



قم بتغيير اللوح الحامل بمجرد احتكاك شريط المنشار أو توقفه.

1. قم بفك شريط المنشار ← صفحة 195.
2. قم بحل برغي اللوح الحامل.
3. أخرج اللوح الحامل التالف من المنشار الشريطي وتخلص منه.
4. قم بتركيب اللوح الحامل الجديد في المنشار الشريطي.
5. أحكم ربط برغي اللوح الحامل بعزم 2 إلى 3 نيوتن متر.
6. قم بتركيب شريط المنشار مرة أخرى. ← صفحة 195.

## 8 نقل وتخزين أدوات الشغل العاملة بطارية والبطاريات

### النقل

#### **احترس:**

#### التشغيل غير مقصود عند النقل !

- ◀ قم بنقل المنتج دائما بدون البطاريات!
- ◀ اخلع البطارية/البطاريات.
- ◀ لا تقم بنقل البطاريات بكميات كبيرة. ينبغي أثناء النقل حماية البطاريات من الاصطدام العنيف والاهتزازات، وكذلك عزلها عن أية مواد موصلة للكهرباء أو أية بطاريات أخرى، وذلك حتى لا تتلامس مع أقطاب بطاريات أخرى ومن ثم حدوث قفلة كهربائية. **احرص على مراعاة تعليمات النقل المحلية للبطاريات.**
- ◀ لا يجوز إرسال البطاريات عن طريق البريد. توجه إلى شركة شحن، إذا كنت ترغب في إرسال بطاريات غير تالفة.
- ◀ افحص المنتج والبطاريات من حيث وجود أضرار قبل كل استخدام وقبل وبعد النقل لمسافة طويلة.

### التخزين

#### **تحذير**

#### أضرار غير مقصودة بسبب البطاريات التالفة أو التي بها تسريب !

- ◀ قم بتخزين المنتج دائما بدون البطاريات!
- ◀ احرص على تخزين المنتج والبطاريات في مكان بارد وجاف. احرص على مراعاة القيم الحدية لدرجات الحرارة الواردة في المواصفات الفنية.
- ◀ لا تحتفظ بالبطاريات على جهاز الشحن. قم دائما بإزالة البطارية من الشاحن بعد انتهاء عملية الشحن.
- ◀ لا تقم أبداً بتخزين البطاريات تحت أشعة الشمس أو في مصادر الحرارة أو خلف الزجاج.
- ◀ احرص على تخزين المنتج والبطاريات والاحتفاظ به بعيداً عن متناول الأطفال والأشخاص غير المصرح لهم .
- ◀ افحص المنتج والبطاريات من حيث وجود أضرار قبل كل استخدام وقبل وبعد التخزين لفترة طويلة.

## 9 المساعدة في حالات الاختلالات

في حالات حدوث الاختلالات، احرص على مراعاة مبيان حالة البطارية. انظر الفصل **بيانات بطارية أيونات الليثيوم**.


في حالة وجود اختلالات غير واردة في هذا الجدول، أو لم تستطع التغلب عليها بنفسك توجه إلى مركز خدمة Hilti.


الخلل	السبب المحتمل	الحل
المنتج لا يعمل بكامل قدرته.	مفتاح التحكم ليس مضغوطا تماما.	◀ اضغط مفتاح التحكم تماما.
يتعذر تشغيل المنتج.	مانع التشغيل ليس مضغوطا.	◀ اضغط على مانع التشغيل.
المنتج لا يبدأ في العمل.	انحصار شريط المنشار	◀ افحص ما إذا كان قد تم تركيب شريط المنشار بشكل صحيح و/أو إذا كان تالفاً.
لمبات LED بالبطارية لا تشير لشيء	البطارية بها عطل	◀ توجه إلى مركز خدمة Hilti.



تحذير 

- خطر الإصابة من جراء التكبين غير المطابق للتعليمات! خطر على الصحة من جراء الغازات والسوائل المتسربة.
- ◀ لا تقم بإرسال أو توريد بطاريات تالفة!
  - ◀ قم بتغطية التوصيلات باستخدام مادة غير موصلة للكهرباء وذلك لتجنب حدوث قفلات كهربائية.
  - ◀ تخلص من البطاريات بحيث لا تصل إلى متناول الأطفال.
  - ◀ تخلص من البطارية لدى متجر **Hilti Store** أو توجه إلى مركز التخلص من النفايات المختص.

منتجات **Hilti**  مصنوعة بنسبة كبيرة من مواد قابلة لإعادة التدوير. يشترط لإعادة التدوير أن يتم فصل الغامات بشكل سليم فنياً. في كثير من الدول تقوم **Hilti** باستعادة جهازك القديم لإعادة الانتفاع به. توجه بأسئلتك لخدمة عملاء **Hilti** أو لمستشار المبيعات.

- ◀ لا تلق الأدوات الكهربائية، الأجهزة الإلكترونية والبطاريات ضمن القمامة المنزلية! 

## 11 ضمان الجبة الصانعة

- ◀ في حالة وجود أية استفسارات بخصوص شروط الضمان، يرجى التوجه إلى وكيل **Hilti** المحلي التابع لك.

## 12 مزيد من المعلومات

تجد مزيداً من المعلومات حول الاستعمال والتقنية والبيئة وإعادة التدوير تحت الرابط التالي:  
[qr.hilti.com/manual/?id=2354065&id=2354067](http://qr.hilti.com/manual/?id=2354065&id=2354067)  
 تجد هذا الرابط أيضاً في نهاية المستند ككود QR.



# オリジナル取扱説明書

## 1 取扱説明書について

### 1.1 本取扱説明書について

- ご使用前にこの取扱説明書をすべてお読みください。このことは、安全な作業と問題のない取扱いのための前提条件となります。
- 本取扱説明書および製品に記載されている安全上の注意と警告表示に注意してください。
- 取扱説明書は常に製品とともに保管し、他の人が使用する場合には、製品と取扱説明書を一緒にお渡しください。

### 1.2 記号の説明

#### 1.2.1 警告表示

警告表示は製品の取扱いにおける危険について警告するものです。以下の注意喚起語が使用されています：



**危険**

危険！

- ▶ この表記は、重傷あるいは死亡事故につながる危険性がある場合に注意を促すために使われます。



**警告**

警告！

- ▶ この表記は、重傷あるいは死亡事故につながる可能性がある場合に注意を促すために使われます。









**注意**

注意！

- ▶ この表記は、身体の負傷あるいは物財の損傷が発生する可能性がある場合に使われます。


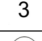


#### 1.2.2 取扱説明書の記号

この取扱説明書では、以下の記号が使用されています：

	取扱説明書に注意してください
	本製品を効率良く取り扱うための注意事項や役に立つ情報
	リサイクル可能な部品の取扱い
	電動工具およびバッテリーを一般ゴミとして廃棄してはなりません
	Hilti Li-Ion バッテリー
	Hilti 充電器

#### 1.2.3 図中の記号

図中では以下の記号が使用されています：

	この数字は本取扱説明書冒頭にある該当図を示しています。
	付番は図中の作業手順の順序に対応していて、本文の作業手順とは一致しない場合があります。
	概要図には項目番号が付されていて、製品概要セクションの凡例の番号に対応しています。
	この記号は、製品の取扱いの際に特に注意が必要なことを示しています。

### 1.3 製品により異なる記号

#### 1.3.1 製品に表示されている記号

製品には以下の記号が使用されている場合があります：



2354067

	直流
	回転方向矢印
	本製品は、iOS および Android プラットフォームと互換性のある NFC テクノロジーをサポートしています。
Li-Ion	Li-Ionen バッテリー
	バッテリーは決して何らかの物を使って叩かないでください、またバッテリーは決して打撃工具として使用しないでください。
	バッテリーは落下させないでください。ぶつけたり、あるいはその他の理由で損傷しているバッテリーは使用しないでください。

## 1.4 製品情報

製品はプロ仕様で製作されており、その使用、保守、修理を行うのは、認定を受けトレーニングされた人のみに限ります。これらの人は、遭遇し得る危険に関する情報を入手していなければなりません。製品およびアクセサリへの使用方法を知らない者による誤使用、あるいは規定外の使用は危険です。機種名および製造番号は銘板に表示されています。

- ▶ 製造番号を以下の表に書き写しておいてください。ヒルティ代理店やサービスセンターへお問い合わせの際には、製品データが必要になります。

### 製品データ

バッテリー式バンドソー	SB 6-22
製品世代	01
製造番号	

## 1.5 適合宣言

製造者は、単独の責任において本書で説明している製品が有効な法規と有効な標準規格に適合していることを宣言します。適合宣言書の複写は本書の末尾にあります。

技術資料は本書の後続の頁に記載されています：

Hilti Entwicklungsgesellschaft mbH | Zulassung Geräte | Hiltistraße 6 | 86916 Kaufering, DE

## 2 安全

### 2.1 電動工具の一般安全注意事項

**⚠ 警告事項** 本電動工具に付属のすべての安全上の注意、指示事項、図、および製品仕様をお読みください。以下の指示を守らないと、感電、火災および / または重傷事故の危険があります。

**安全上の注意**および指示事項が書かれた説明書はすべて大切に保管してください。

安全上の注意で使用する用語「電動工具」とは、お手持ちの電動ツール(電源コード使用)またはバッテリーツール(コードレス)を指します。

#### 作業環境に関する安全

- ▶ 作業場はきれいに保ち、十分に明るくしてください。ちらかった暗い場所での作業は事故の原因となります。
- ▶ 爆発の危険性のある環境(可燃性液体、ガスおよび粉じんのある場所)では電動工具を使用しないでください。電動工具から火花が飛散し、粉じんや揮発性ガスに引火する恐れがあります。
- ▶ 電動工具の使用時、子供や無関係者を作業場へ近づけないでください。作業中に気がそらされると、本体のコントロールを失ってしまう恐れがあります。

#### 電気に関する安全注意事項

- ▶ 電動工具の接続プラグは電源コンセントにきちんと適合しなければなりません。プラグは絶対に変更しないでください。保護接地した電動工具と一緒にアダプタープラグを使用しないでください。オリジナルのプラグと適切なコンセントを使用することにより、感電の危険を小さくすることができます。
- ▶ パイプ、ラジエーター、電子レンジ、冷蔵庫などのアースされた面に体の一部が触れないようにしてください。体が触れると感電の危険が大きくなります。
- ▶ 電動工具を雨や湿気から保護してください。電動工具に水が浸入すると、感電の危険が大きくなります。
- ▶ 電動工具を持ち運んだり、吊り下げたり、コンセントからプラグを抜いたりするときは、必ず本体を持ち、電源コードを持ったり引っ張ったりしないでください。電源コードを火気、オイル、鋭利な刃物、





可動部等に触れる場所に置かないでください。電源コードが損傷したり絡まったりしていると、感電の危険が大きくなります。

- ▶ 屋外工事の場合には、必ず屋外専用の延長コードを使用してください。屋外専用の延長コードを使用すると、感電の危険が小さくなります。
- ▶ 湿った場所で電動工具を起動させる必要がある場合は、漏電遮断器を使用してください。漏電遮断器を使用すると、感電の危険が小さくなります。

#### 作業者に関する安全

- ▶ 電動工具を使用の際には、油断せずに十分注意し、常識をもった作業をおこなってください。疲れている場合、薬物、医薬品服用およびアルコール飲用による影響下にある場合には電動工具を使用しないでください。電動工具使用中の瞬間の不注意が重傷の原因となることがあります。
- ▶ 個人用保護具および保護メガネを常に着用してください。負傷の危険を低減するために、電動工具の使用状況に応じた粉じんマスク、耐滑性の安全靴、ヘルメット、耳栓などの個人用保護具を着用してください。
- ▶ 電動工具の意図しない始動を防止して下さい。電動工具を電源および / またはバッテリーに接続する前や本体を持ち上げたり運んだりする前に、本体がオフになっていることを必ず確認してください。オン / オフスイッチが入っている状態で電動工具のスイッチに指を掛けたまま運んだり、電源に接続したりすると、事故の原因となる恐れがあります。
- ▶ 電動工具のスイッチを入れる前に、必ず調節キーやレンチを取り外してください。調節キーやレンチが本体の回転部に装着されたままでは、けがの原因となる恐れがあります。
- ▶ 作業中は不安定な姿勢をとらないでください。足元を安定させ、常にバランスを保つようにしてください。これにより、万一電動工具が異常状況に陥った場合にも、適切な対応が可能となります。
- ▶ 作業に適した作業着を着用してください。だぶだぶの衣服や装身具を着用しないでください。髪、衣服、手袋を本体の可動部に近づけないでください。だぶだぶの衣服、装身具、長い髪が可動部に巻き込まれる恐れがあります。
- ▶ 吸じんシステムの接続が可能な場合には、これらのシステムが適切に接続、使用されていることを確認してください。吸じんシステムを利用することにより、粉じん公害を防げます。
- ▶ 電動工具の取扱いに熟練している場合にも、正しい安全対策を遵守し、電動工具に関する安全規則を無視しないでください。不注意な取扱いは、ほんの一瞬で重傷事故を招くことがあります。

#### 電動工具の使用および取扱い

- ▶ 無理のある使用を避けてください。作業用途に適した電動工具を使用してください。適切な電動工具の使用により、効率よく、スムーズかつ安全な作業が行えます。
- ▶ スwitchが故障している場合には、電動工具を使用しないでください。スイッチで始動および停止操作のできない電動工具は危険ですので、修理が必要です。
- ▶ 本体の設定やアクセサリーの交換を行う前や本体を保管する前には電源プラグをコンセントから抜き、および / または脱着式のバッテリーを取り外してください。この安全処置により、電動工具の意図しない始動を防止することができます。
- ▶ 電動工具をご使用にならない場合には、子供の手の届かない場所に保管してください。電動工具に関する知識のない方、本説明書をお読みでない方による本体のご使用は避けてください。未経験者による電動工具の使用は危険です。
- ▶ 電動工具とアクセサリーは慎重に手入れしてください。可動部分が引っ掛かりなく正常に作動しているか、電動工具の運転に影響を及ぼす各部分が破損・損傷していないかを確認してください。電動工具をご使用になる前に、損傷部分の修理を依頼してください。事故の多くは保守管理の不十分な電動工具の使用が原因となっています。
- ▶ 先端工具は鋭利で汚れのない状態を保ってください。お手入れのゆきとどいた先端工具を使用すると、作業が簡単かつ、スムーズになります。
- ▶ 電動工具、アクセサリー、先端工具などは、それらの説明書に記載されている指示に従って使用してください。その際は、作業環境および用途についてもご注意ください。指定された用途以外に電動工具を使用すると危険な状況をまねく恐れがあります。
- ▶ グリップとグリップ面は乾燥した清潔な状態に保ち、オイルやグリスの付着がないようにしてください。グリップやグリップ面が滑りやすい状態になっていると、予期していない状況が発生した際に電動工具を安全に使用 / 制御できません。

#### バッテリー工具の使用および取扱い

- ▶ バッテリーを充電する場合は、必ずメーカー推奨の充電器を使用してください。特定タイプのバッテリー専用の充電器を他のバッテリーに使用すると、火災の恐れがあります。
- ▶ 電動工具には、必ず指定されたバッテリーを使用してください。指定以外のバッテリーを使用すると、負傷や火災の恐れがあります。
- ▶ 使用されていないバッテリーの近くに、事務用クリップ、硬貨、キー、釘、ネジ、その他の小さな金属物を置かないでください。電気接点の短絡が起こることがあります。バッテリーの電気接点間が短絡すると、火傷や火災が発生する危険があります。



- ▶ 正しく使用しないと、液漏れが発生することがあります。その場合、漏れた液には触れないでください。もしも触れてしまった場合は、水で洗い流してください。バッテリー液が眼に入った場合は、水で洗い流してから医師の診察を受けてください。流出したバッテリー液により、皮膚が刺激を受けたり火傷を負う恐れがあります。
- ▶ 損傷したあるいは変更が加えられたバッテリーは使用しないでください。損傷したあるいは変更が加えられたバッテリーは、予測不可能な挙動により爆発あるいは負傷事故を発生させる危険があります。
- ▶ バッテリーは火気あるいは高温に曝さないでください。火気あるいは 130 °C (265 °F) を超える高温は、爆発の原因となることがあります。
- ▶ 充電に関するすべての指示事項に従い、バッテリーあるいはバッテリー工具は、決して取扱説明書に記載された温度範囲外で充電しないでください。正しくない充電あるいは許容温度範囲外での充電により、バッテリーが破壊され火災が発生する危険があります。

#### サービス

- ▶ 電動工具の修理は必ず認定サービスセンターにお申し付けください。また、必ず純正部品を使用してください。これにより電動工具の安全性が確実に維持されます。
- ▶ 損傷したバッテリーは決して手入れや保守を行わないでください。バッテリーの保守作業はすべて、メーカーあるいは権限のあるお客様サービスセンターが行うものとします。

### 2.2 バンドソーに関する安全上の注意

- ▶ 作業の実施に伴い先端工具が隠れている電線に接触する可能性がある場合は、電動工具を絶縁されたグリップ面で保持するようにしてください。通電しているケーブルと接触すると、本体の金属部分にも電圧がかかり、感電の危険があります。

### 2.3 その他の安全上の注意

- ▶ 切断領域やバンドソーブレード付近に手を出さないでください。片方の手で安全スイッチのあるグリップを保持してください。両手でソーを保持すれば、切断時に手を負傷することはありません。
- ▶ 本製品とアクセサリは、必ず技術的に問題のない状態で使用してください。
- ▶ 本製品あるいはアクセサリには、決して加工や改造を加えないでください。
- ▶ 本製品は、作業位置に運んでからスイッチを入れるようにしてください。
- ▶ 回転部品に触れないでください - 負傷の危険！
- ▶ 本製品の持ち上げおよび / または持ち運びは慎重に行ってください、バンドソーブレードは鋭利で切創事故または物財の損傷の原因となることがあります。
- ▶ 本製品の使用時には、アイシールド、保護ヘルメットおよび耳栓を着用してください。
- ▶ 先端工具の交換時には保護手袋を着用してください。先端工具に触れると、切創事故や火傷の原因となることがあります。
- ▶ 研磨、紙やすり研磨、切断および穿孔の際に発生する粉じんは、化学物質を含んでいる場合があります。これには、鉛、あるいは鉛ベースの塗料、レンガ、コンクリートおよびその他の壁用資材、自然石およびその他の珪酸塩含有製品、樫、樺などの特定の木材、および化学処理の施された木材、アスベストあるいはアスベストが含まれる母材、などが考えられます。作業対象の資材の危険等級により、作業者および周囲の人員の曝露を確認してください。曝露を安全なレベルに維持するために、粉じん吸引システムの使用、あるいは適切な防じんマスクの着用などの必要な処置を取ってください。曝露の低減のための一般的な処置としては、以下のようなものがあります：
  - ▶ 十分に換気された領域での作業
  - ▶ 粉じんと長時間の接触の回避
  - ▶ 粉じんを顔や体から遠ざける
  - ▶ 保護服を着用し、水と石鹸で曝露領域を洗浄する。
- ▶ 負傷を防止するために、バンドソーは必ずバンドソーブレードカバーを正しく取り付けられた状態で使用してください。
- ▶ 縦切断の際には必ずストッパーまたはストレートエッジガイドを使用してください。これにより切断精度を高め、ソーブレードが噛む可能性を低減することができます。
- ▶ 切断する作業材料を手あるいはその他の身体部位で支えないでください。作業材料は安定した支持具に固定してください。身体の一部が触れたり、ソーブレードが噛んだり、制御不能に陥ったりする危険を最小限に抑えるため、作業材料を正しく固定することは重要です。
- ▶ 本製品は常に両手で指定のグリップを握って保持し、反力を受け止めることができるように腕を構えます。
- ▶ グリップは乾燥した清潔な状態に保ち、オイルやグリスで汚さないようにしてください。
- ▶ ソーブレードは必ず側部をつかみ、決してソーブレードが身体のすぐ前にくることのないようにしてください。反動が生じるとソーが跳ね返ることがあります！



- ▶ 特に頭上作業の際は、足場がしっかりしているかどうか確認してください。足場が突然に壊れると、バランスを失う危険があります。
- ▶ 開削作業の際は、作業材料の両側を支持してください。破片が落下して負傷の原因となることがあります。
- ▶ ソーブレードが噛んだ場合あるいは作業を中断する場合は、ソーをオフにしてソーブレードが停止するまでソーを動かさないでください。ソーブレードが動いている間は、ソーを作業材料から離したり後方へ引いたりしないでください、そうしないと反動が発生する危険があります。
- ▶ 作業材料に挿入されているソーを再び作動させる場合は、ソーブレードをカットギャップの中央に配置し、歯が作業材料に引っかかっていないかチェックします。
- ▶ 既存の壁やその他の見通しのきかない領域で切断を行う場合は特に注意してください。切断時に、押し込まれたソーブレードが隠れている対象物にブロックされ、跳ね返る可能性があります。
- ▶ 頻繁に休憩を取って、指を動かして血行を良くするように心がけてください。長時間作業の際には、強い振動により指、手あるいは手首の関節の血管あるいは神経系に障害が発生する可能性があります。
- ▶ 製品のランプ(LED)を直接のぞき込んだり、LEDで他の人の顔を照射したりしないでください。眼がくらむ恐れがあります。
- ▶ 切断を開始する前に、バンドソーブレードが正しく取り付けられていることを確認してください。バンドソーブレードが正しく取り付けられていないと、噛んで反動の原因となることがあります。
- ▶ 落下する先端工具および / またはアクセサリーによる負傷の危険。作業を開始する前に、バッテリーおよび取り付けたアクセサリーが確実に固定されていることを確認してください。

#### 電気に関する安全注意事項

- ▶ 作業を開始する前に、作業領域に埋設された電線、ガス管や水道管がないかを調査してください。電線、ガス管あるいは水道管を損傷すると、本製品外側の金属部分での感電事故、あるいは爆発が発生する可能性があります。
- ▶ パイプ類を切断する場合は(解体および据付け工事など)、パイプ内に水滴が残っていないことを前もって確認してください。必要に応じてパイプを空にしてください。パイプを切断する場合には、本製品をパイプより上の位置に保持してください。本製品は耐水仕様ではありません。

#### 電動工具の慎重な取扱いおよび使用

- ▶ 必ず所定のサイズのバンドソーブレードを使用してください。
- ▶ 切れ味の悪くなった、あるいは損傷したバンドソーブレードは使用しないでください。そのようなバンドソーブレードは、摩擦の増大、噛み込みあるいは反動の原因となります。
- ▶ バンドソーブレードの取扱いと保管に関するメーカーの指示に注意してください。

#### 2.4 バッテリーの慎重な取扱いおよび使用

- ▶ **Li-Ion** バッテリーの安全な取扱いと使用のために、以下の安全上の注意を遵守してください。これを守らないと、皮膚の炎症、重篤な腐食負傷、化学火傷、火災および / あるいは爆発の原因となることがあります。
- ▶ バッテリーは、必ず技術的に問題のない状態で使用してください。
- ▶ 損傷を防止して健康にとってきわめて危険なバッテリー液の漏出を防ぐため、バッテリーは慎重に取り扱ってください！
- ▶ バッテリーは決して改造したり手を加えたりしないでください！
- ▶ バッテリーを分解したり、挟んだり、80°C (176°F) 以上に加熱したり、燃やしたりしないでください。
- ▶ ぶつかけたり、あるいはその他の損傷を受けたバッテリーは、使用したり充電したりしないでください。バッテリーは、損傷の痕跡がないか定期的に点検してください。
- ▶ リサイクルあるいは修理されたバッテリーは、決して使用しないでください。
- ▶ バッテリーまたはバッテリー式電動工具は、決して打撃工具として使用しないでください。
- ▶ バッテリーは、決して直射日光、高温、火花の発生、裸身に曝さないでください。これを守らないと、爆発の原因となることがあります。
- ▶ バッテリーの電極に、指、工具、装身具あるいはその他の導電性のある物体で触れないようにしてください。これを守らないと、バッテリーの損傷、物財の損傷および負傷の原因となることがあります。
- ▶ バッテリーを雨、湿気、液体から保護してください。バッテリー内に湿気が入り込むと、短絡、感電、火傷、火災あるいは爆発の原因となることがあります。
- ▶ 必ずご使用のバッテリータイプ用に指定された充電器と電動工具を使用してください。これについては、充電器や電動工具の取扱説明書の記述を確認してください。
- ▶ バッテリーは、爆発の可能性がある場所で使用あるいは保管しないでください。



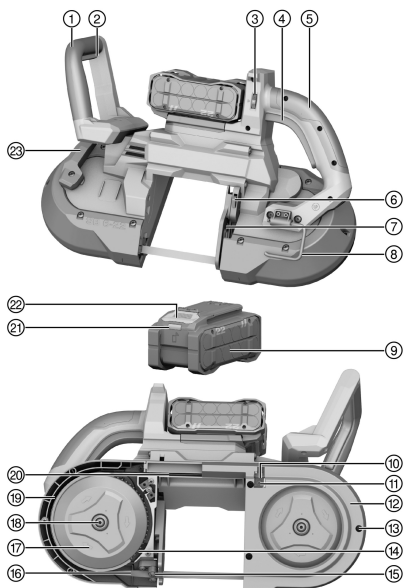
- ▶ バッテリーが掴むことのできないほどに熱くなっている場合は、故障している可能性があります。バッテリーを、目視確認が可能で可燃物のない場所に、可燃性の資材から十分な距離を設けて置いてください。バッテリーを冷ます。1時間の経過後にも掴むことのできないほどに熱い場合は、そのバッテリーは故障している可能性があります。Hilti サービスセンターにご連絡いただくか、あるいは「Hilti の Li-Ion バッテリーの安全と使用についての注意事項」をお読みください。



Li-Ion バッテリーの搬送、保管および使用に適用される特別の規則を遵守してください。→ 頁 213  
本取扱説明書巻末の QR コードをスキャンして、Hilti の Li-Ion バッテリーの安全と使用についての注意事項をお読みください。

### 3 製品の説明

#### 3.1 製品概要



- ① 安全スイッチ付きグリップ
- ② 安全スイッチ
- ③ 回転数スイッチ
- ④ 無段変速スイッチ
- ⑤ コントロールスイッチ付きグリップ
- ⑥ 切断ガイドロック
- ⑦ 切断ガイド
- ⑧ 吊り下げフック
- ⑨ バッテリー
- ⑩ サポートプレート
- ⑪ サポートプレートのねじ
- ⑫ バンドソーブレードカバー
- ⑬ バンドソーブレードカバーのねじ
- ⑭ ガイド溝
- ⑮ バンドソーブレードガイド
- ⑯ バンドソーブレード
- ⑰ ローラー
- ⑱ ローラー固定具
- ⑲ ラバーリング
- ⑳ バンドソーブレードガイド溝
- ㉑ バッテリーステータス表示
- ㉒ バッテリーリリースボタン
- ㉓ バンドソーブレードクランピングレバー

#### 3.2 正しい使用

本書で説明している製品はバッテリー式バンドソーです。金属製作業材料およびプラスチックを切断するためのものです。

本製品は両手操作用として設計されています。

- 本製品には、必ず Hilti Nuron の B 22 シリーズの Li-Ion バッテリーを使用してください。最適な出力を得るため、Hilti は本製品に対して本取扱説明書の巻末の表に記載されているバッテリーをお勧めします。
- これらのバッテリーには、必ず本取扱説明書の巻末の表に記載されているシリーズの Hilti の充電器を使用してください。

#### 3.3 本体標準セット構成

バンドソー、取扱説明書

その他のご使用の製品用に許可されたシステム製品については、弊社営業担当または Hilti Store にお問い合わせいただくか、あるいは [www.hilti.group](http://www.hilti.group) でご確認ください。

#### 3.4 Li-Ion バッテリーのインジケータ

Hilti Nuron Li-Ion バッテリーは、充電状態、エラーメッセージ、およびバッテリーの状態を表示することができます。



### 3.4.1 充電状態およびエラーメッセージの表示



**警告**

**負傷の危険 バッテリーの落下!**

- ▶ バッテリーを装着した状態でリリースボタンを押した後は、バッテリーを確実に正しく使用する製品に再ロックするようにしてください。

次の表示を確認するには、バッテリーのリリースボタンを短く押してください。  
充電状態および不具合は、接続されている製品がオンになっている間常時表示されます。

状態	意味
4 個の LED (4) が常時緑色で点灯	充電状態: 100 %...71 %
3 個の LED (3) が常時緑色で点灯	充電状態: 70 %...51 %
2 個の LED (2) が常時緑色で点灯	充電状態: 50 %...26 %
1 個の LED (1) が常時緑色で点灯	充電状態: 25 %...10 %
1 個の LED (1) がゆっくり緑色で点滅	充電状態: < 10 %
1 個の LED (1) が高速で緑色で点滅	Li-Ion バッテリーは完全に放電しています。バッテリーを充電してください。 バッテリーの充電の後にも LED が高速で点滅する場合は、Hilti サービスセンターにご連絡ください。
1 個の LED (1) が高速で黄色で点滅	Li-Ion バッテリーまたは接続されている製品が過負荷、過熱、低温の状態にあるか、あるいはその他の不具合が発生しています。 製品とバッテリーを推奨動作温度にし、使用時に製品が過負荷にならないようにしてください。 メッセージが引き続き出力される場合は、Hilti サービスセンターにご連絡ください。
1 個の LED (1) が黄色で点灯	Li-Ion バッテリーとそれと接続されている製品とに互換性がありません。Hilti サービスセンターにご連絡ください。
1 個の LED (1) が高速で赤色で点滅	Li-Ion バッテリーはロックされていて、使用できません。Hilti サービスセンターにご連絡ください。

### 3.4.2 バッテリーの状態に関する表示

バッテリーの状態を確認するには、リリースボタンを 3 秒を超えて押し続けてください。システムは、落下、異物の貫入、外部の熱源による損傷などの誤った使用に起因するバッテリーの機能異常については検知しません。

状態	意味
すべての LED がチェイサーライトとして点灯し、続いて 1 個の LED (1) が常時緑色で点灯。	バッテリーは引き続き使用することができます。
すべての LED がチェイサーライトとして点灯し、続いて 1 個の LED (1) が速く黄色で点滅。	バッテリーの状態確認を終了することができませんでした。手順を繰り返すか、Hilti サービスセンターにご連絡ください。
すべての LED がチェイサーライトとして点灯し、続いて 1 個の LED (1) が常時赤色で点灯。	接続されている製品を引き続き使用できる場合、バッテリーの残り容量は 50% 未満です。 接続されている製品を引き続き使用することができない場合、バッテリーは寿命に達していて交換の必要があります。Hilti サービスセンターにご連絡ください。

## 4 製品仕様

EPTA Procedure 01 に準拠した重量(バッテリーなし)	6.5 kg
定格電圧	21.6 V
無負荷回転数	150 m/min
最大切り込み深さ	127 mm



製品寸法 (長さ x 幅 x 高さ)	525 mm x 175 mm x 375 mm
バンドソーブレード寸法 (長さ x 幅 x 厚さ)	1,140 mm x 12.4 mm x 0.5 mm
作動時の周囲温度	-17 °C ... 60 °C
保管温度	-20 °C ... 70 °C

#### 4.1 バッテリー

バッテリー作動電圧	21.6 V
バッテリー重量	本取扱説明書の巻末を参照してください
作動時の周囲温度	-17 °C ... 60 °C
保管温度	-20 °C ... 40 °C
充電開始時のバッテリー温度	-10 °C ... 45 °C

#### 4.2 騒音および振動値について (EN 60745 準拠)

本説明書に記載されているサウンドプレッシャー値および振動値は、規格に準拠した測定方法に基づいて測定したものです。電動工具を比較するのにご使用いただけます。曝露値の暫定的な予測にも適しています。記載されているデータは、電動工具の主要な使用方法に対する値です。電動工具を他の用途で使用したり、異なる先端工具を取り付けて使用したり、手入れや保守が十分でないまま使用した場合には、データが異なることがあります。このような相違により、作業時間全体で曝露値が著しく高くなる可能性があります。曝露値を正確に予測するためには、本体のスイッチをオフにしている時間や、本体が作動していても実際には使用していない時間も考慮しなければなりません。このような相違により、作業時間全体で曝露値が著しく低くなる可能性があります。作業者を騒音および / または振動による影響から保護するために、他にも安全対策を立ててください (例：電動工具およびの先端工具の手入れや保守、手を冷やさないようにする、作業手順の計画を立てる)。

##### 騒音について

サウンドパワーレベル ( $L_{WA}$ )	86 dB(A)
サウンドパワーレベルの不確か性 ( $K_{WA}$ )	3 dB(A)
サウンドプレッシャーレベル ( $L_{pA}$ )	75 dB(A)
サウンドプレッシャーレベルの不確か性 ( $K_{pA}$ )	3 dB(A)

##### 合計振動値

金属切断での排出振動値 (ah,CM)	B 22-55	0.8 m/s <sup>2</sup>
	B 22-255	0.7 m/s <sup>2</sup>
不確か性 (K)		1.5 m/s <sup>2</sup>

## 5 作業準備



### 警告

負傷の危険 意図しない始動！

- ▶ バッテリーを装着する前に、バッテリーを装着する製品のスイッチがオフになっていることを確認してください。
- ▶ 本体の設定、またはアクセサリーの交換の前にバッテリーを取り外してください。

本書および製品に記載されている安全上の注意と警告表示に注意してください。

#### 5.1 バッテリーを充電する

1. 充電の前に充電器の取扱説明書をお読みください。
2. バッテリーと充電器の電気接点は汚れがなく、乾燥していることを確認してください。
3. バッテリーは許可された充電器で充電してください。→ 頁 206





## 5.2 バッテリーを装着する

### 警告

**負傷の危険 短絡あるいはバッテリーの落下！**

- ▶ バッテリーを装着する前に、バッテリーの電気接点と製品の電気接点に異物がないことを確認してください。
- ▶ バッテリーが正しくロックされていることを常に確認してください。

1. はじめてお使いになる前にバッテリーをフル充電してください。
2. ロックの音が聞こえるまでバッテリーを製品へとスライドさせます。
3. バッテリーがしっかりと装着されていることを確認してください。

## 5.3 バッテリーを取り外す

1. バッテリーのリリースボタンを押します。
2. 製品からバッテリーを抜き取ります。

## 5.4 バンドソーブレードを交換する

### 警告

**バンドソーブレードによる負傷の危険。** バンドソーブレードは熱くなっていること、および / またはエッジが鋭くなっていること、また場合によっては切れることがあります。

- ▶ 作業時およびバンドソーブレードの交換時には保護手袋とアイシールドを着用してください。
- ▶ バンドソーは、かならずバンドソーブレードカバーを正しく取り付け使用してください。
- ▶ 使用したバンドソーは可燃性の物の上に置かないでください。

### 注意

**不適切なバンドソーブレードによる物財の損傷。** 不適切なバンドソーブレードは、早期の材料疲労およびバンドソーの損傷の原因となります。

- ▶ バンドソーおよび作業材料に応じて適切なバンドソーブレードを選択してください。
- ▶ 切断する材料に対して適切なピッチ(インチ当たり歯数)のバンドソーブレードを選択してください。高いピッチは硬い / 薄い材料向け、低いピッチは柔らかい / 厚い材料向けです。
- ▶ 必ず 0.5 mm の厚さのバンドソーブレードを使用してください。厚いバンドソーブレードは曲げ応力に強く、鋸歯の損耗は早くなります。
- ▶ バンドソーブレードは、2 つ以上の歯が作業材料に接触するように選択してください。
- ▶ 必ず寸法が 1140 mm × 12,5 mm × 0,5 mm のバンドソーブレードを使用してください。

1. 両方のバンドソーブレードカバーのねじを緩めます。
2. 両方のバンドソーブレードカバーを取り外します。
3. クランピングレバーをストップ位置まで回します。
  - ▶ バンドソーブレードが緩みます。
4. 古いバンドソーブレードをガイドから取り出し、廃棄します。
5. 新しいバンドソーブレードをバンドソーブレードガイドに置きます。
6. 新しいバンドソーブレードを両方のローラーの周りにガイドします。
7. 新しいバンドソーブレードをバンドソーブレードガイド溝に置きます。
8. バンドソーブレードが正しく取り付けられているか点検してください。
9. クランピングレバーをストップ位置まで回します。
  - ▶ バンドソーブレードが張られます。
10. 両方のバンドソーブレードカバーを取り付けます。
11. 両方のバンドソーブレードカバーのねじを締め付けます。

## 5.5 転倒防止装置

### 警告

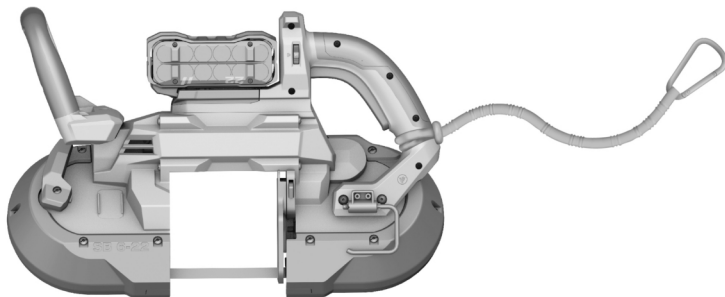
**負傷の危険** 先端工具および / あるいはアクセサリーの落下！

- ▶ 必ずご使用の製品用に推奨されているHiltiの工具保持ロープを使用してください。
- ▶ 使用の前に毎回、工具保持ロープの固定ポイントに損傷がないか点検してください。



**i** ご使用の国において適用される高所での作業に関する規則に注意してください。

本製品の落下防止には、必ずHiltiの工具保持ロープ#2261971を使用してください。



- ▶ 工具保持ロープは、図に示したように本製品のラグに固定してください。しっかりと固定されていることを確認してください。
- ▶ 支持構造体にスナップフックを固定します。スナップフックがしっかりと固定されていることを確認してください。

**i** Hilti 工具保持ロープの取扱説明書の記載に注意してください。

## 6 ご使用方法

本書および製品に記載されている安全上の注意と警告表示に注意してください。

### 6.1 切断ガイドを調整する

1. 切断ガイドのロックを押してその状態を維持します。
2. 切断ガイドを希望の高さに動かします。
3. 切断ガイドのロックから手を放します。

### 6.2 切断

#### 警告

**負傷の危険** バンドソーブレードの反動。

- ▶ 作業材料は切断の前に万力などに固定してください。
- ▶ バンドソーと作業材料との位置を正しく調整してください。

#### 警告

**負傷の危険** 慣性回転しているソー。

- ▶ 本製品は、必ず完全に停止してから作業材料から放してください。
- ▶ 本製品は完全に停止するまで置かないでください。

#### 警告

**バンドソーブレードによる負傷の危険。** バンドソーブレードは熱くなっていること、および / またはエッジが鋭くなっていること、また場合によっては切れることがあります。

- ▶ 作業時およびバンドソーブレードの交換時には保護手袋とアイシールドを着用してください。
- ▶ バンドソーは、かならずバンドソーブレードカバーを正しく取り付けて使用してください。
- ▶ 使用したバンドソーは可燃性の物の上に置かないでください。





**⚠ 注意**

不適切なバンドソーブレードによる物財の損傷。不適切なバンドソーブレードは、早期の材料疲労およびバンドソーの損傷の原因となることがあります。

- ▶ バンドソーおよび作業材料に応じて適切なバンドソーブレードを選択してください。
- ▶ 切断する材料に対して適切なピッチ(インチ当たり歯数)のバンドソーブレードを選択してください。高いピッチは硬い / 薄い材料向け、低いピッチは柔らかい / 厚い材料向けです。
- ▶ 必ず 0.5 mm の厚さのバンドソーブレードを使用してください。厚いバンドソーブレードは曲げ応力に強く、鋸歯の損耗は早くなります。
- ▶ バンドソーブレードは、2 つ以上の歯が作業材料に接触するように選択してください。
- ▶ 必ず寸法が 1140 mm × 12,5 mm × 0,5 mm のバンドソーブレードを使用してください。

ラバーリングに損傷がないか定期的に点検してください。

バンドソーの寿命を長くするために、作業後はその都度バンドソーブレードカバーと切断ガイドから切粉や切り屑を清掃してください。



バンドソーを始動させるには：最初にコントロールスイッチ、続いて安全スイッチを押し、押しした状態を維持します。



バンドソーの自重は切断を行うのに十分なものです。バンドソーに余分な力は加えないでください。

1. 必要に応じてラバーリングを交換してください。→ 頁 212
2. 必要に応じてバンドソーブレードを交換してください。→ 頁 209
3. コントロールスイッチを押し続けます。
4. 安全スイッチを押し続けます。
5. バンドソーブレードは、できるだけ多くの鋸歯が作業材料に接触するようにセットしてください。
6. 切断作業を行います。



バンドソーは、可能な限り常時 3 つの鋸歯が切断を行っているようにガイドしてください。

7. コントロールスイッチから指を放します。

## 7 手入れと保守

**⚠ 警告**

バッテリーを装着した状態における負傷の危険！

- ▶ 手入れや保守作業の前に必ずバッテリーを取り外してください！

### 製品の手入れ

- 付着した汚れを慎重に除去してください。
- 汚れが付着している場合は、通気溝を乾いた柔らかいブラシを使用して慎重に掃除してください。
- 必ず少し湿した布でハウジングを拭いてください。シリコンを含んだ磨き粉はプラスチック部品をいためる可能性があるため使用しないでください。
- 本製品の電気接点を清掃するには、清潔な乾いた布を使用してください。

### Li-Ion バッテリーの手入れ


- 通気溝が詰まっているバッテリーは決して使用しないでください。通気溝を乾いた柔らかいブラシを使用して慎重に掃除してください。
- バッテリーを不必要に粉じんや汚れに曝さないようにしてください。バッテリーは、決して高い湿度に曝さないでください(例：水中に沈める、あるいは雨中に放置する)。  
水分が浸入したバッテリーは、損傷したものとして取り扱ってください。そのようなバッテリーは不燃性の容器に隔離し、Hilti サービスセンターにご連絡ください。




- バッテリーには、本製品に使用しているのではないオイルやグリスが付着しないようにしてください。バッテリーに不必要な粉じんあるいは汚れが堆積しないようにしてください。バッテリーは、乾いた柔らかいブラシまたは乾いた布で清掃してください。シリコンを含んだ磨き粉はプラスチック部品をいためる可能性があるため使用しないでください。  
バッテリーの電気接点に手を触れないでください、また、工場出荷時に塗布されているグリスを電気接点からぬぐい取らないでください。
- 必ず少し湿した布でハウジングを拭いてください。シリコンを含んだ磨き粉はプラスチック部品をいためる可能性があるため使用しないでください。

#### 保守

- 目視確認可能なすべての部品については損傷の有無を、操作エレメントについては問題なく機能することを定期的に点検してください。
- 損傷および/または機能に問題のある場合は、本製品を使用しないでください。速やかにHilti サービスセンターに本製品の修理を依頼してください。
- 手入れおよび保守作業の後は、すべての安全機構を取り付けて、それらが問題なく作動するか点検してください。


 安全な作動のために、必ず純正のスペアパーツと消耗品を使用してください。本製品向けにHilti が承認したスペアパーツ、消耗品およびアクセサリーは、弊社営業担当またはHilti Store お問い合わせいただくか、あるいは[www.hilti.group](http://www.hilti.group)

### 7.1 バンドソーブレードカバーを交換する

 バンドソーブレードカバーは、損傷が確認されたなら直ちに交換してください。


1. バンドソーブレードカバーのねじを緩めます。
2. 損傷したバンドソーブレードカバーを取り外して廃棄します。
3. 新しいバンドソーブレードカバーをバンドソーに取り付けます。
4. バンドソーブレードカバーのねじを 2...3 NM で締め付けます。

### 7.2 ラバーリングを交換する

 ラバーリングは損傷が確認されたなら直ちに交換してください。

1. バンドソーブレードを取り外します → 頁 209。
2. ラバーリングを取り出します。
3. ガイド溝に汚れがないか点検し、必要に応じて清掃してください。
4. 新しいラバーリングをバンドソーブレード用ローラーに取り付けます。
5. ラバーリングの位置を調整し、完全にガイド溝と密着するようにしてください。
6. バンドソーブレードを取り付けます → 頁 209。

### 7.3 バンドソーブレードガイドを交換する

 たとえばバンドソーブレードに溝のつぶれなどの損傷が認められる場合は、直ちにバンドソーブレードを交換してください。

1. バンドソーブレードを取り外します → 頁 209。
2. バンドソーブレードガイドの両方のねじを緩めます。
3. 損傷したバンドソーブレードガイドをバンドソーから取り出し、廃棄します。
4. 新しいバンドソーブレードガイドをバンドソーに取り付けます。
5. バンドソーブレードガイドの両方のねじを 2...3 NM で締め付けます。
6. バンドソーブレードを取り付けます → 頁 209。



## 7.4 サポートプレートを交換する

バンドソーブレードが磨滅または噛み込んだなら、直ちにサポートプレートを交換してください。

1. バンドソーブレードを取り外します → 頁 209。
2. サポートプレートのねじを緩めます。
3. 損傷したサポートプレートをバンドソーから取り出し、廃棄します。
4. 新しいサポートプレートをバンドソーに取り付けます。
5. サポートプレートのねじを 2...3 NM で締め付けます。
6. バンドソーブレードを取り付けます → 頁 209。

## 8 バッテリー式工具およびバッテリーの搬送および保管

### 搬送

#### 注意

搬送時の予期しない始動！

- ▶ お使いの製品は、必ずバッテリーを装着していない状態で搬送してください！
- ▶ バッテリーを取り外してください。
- ▶ バッテリーは決して梱包しない状態で搬送しないでください。搬送中のバッテリーは、他のバッテリー電極と接触して短絡の原因となることを防ぐために、過大な衝撃や振動から保護し、あらゆる導電性の物体あるいは他のバッテリーから隔離する必要があります。バッテリーの搬送に関する各国(地域)の規則を遵守してください。
- ▶ バッテリーは郵送しないでください。損傷していないバッテリーを送付する場合は、運送業者を手配してください。
- ▶ 使用前にその都度、また長距離の搬送の前後には、製品とバッテリーに損傷がないか点検してください。

### 保管上の注意事項

#### 警告

故障したあるいは液漏れしたバッテリーによる予期しない損傷！

- ▶ お使いの製品は、必ずバッテリーを装着していない状態で保管してください！
- ▶ 製品とバッテリーは涼しく乾燥した場所に保管してください。製品仕様に記載されている温度の限界値に注意してください。
- ▶ バッテリーは充電器内で保管しないでください。充電の後は、必ずバッテリーを充電器から取り出してください。
- ▶ バッテリーを太陽の直射下、熱源の上、窓隙等で保管しないでください。
- ▶ 製品およびバッテリーは、子供や権限のない人が手を触れることのないようにして保管してください。
- ▶ 使用前にその都度、また長期にわたる保管の前後には、製品とバッテリーに損傷がないか点検してください。

## 9 故障時のヒント

いかなる不具合の発生時にも、バッテリーのステータス表示を確認してください。Li-Ion バッテリーのインジケーターの章を参照してください。

この表に記載されていない、あるいはご自身で解消することのできない故障が発生した場合には、弊社営業担当またはHilti サービスセンターにご連絡ください。

故障	考えられる原因	解決策
製品がフルパワーにならない。	コントロールスイッチの握り込みが不十分。	▶ コントロールスイッチを一杯に握り込んでください。
製品がオンにならない。	スイッチオンロックが操作されていない。	▶ スイッチオンロックを操作してください。
製品が始動しない。	バンドソーブレードがブロックされている	▶ バンドソーブレードが正しく取り付けられているか、および / または損傷していないか点検してください。



故障	考えられる原因	解決策
バッテリーのLEDに何も表示されない	バッテリーの故障	▶ <b>Hilti</b> サービスセンターにご連絡ください。

## 10 廃棄



### 警告

誤った廃棄による負傷の危険！ 漏出するガスあるいはバッテリー液により健康を損なう危険があります。

- ▶ 損傷したバッテリーを送付しないでください！
- ▶ 短絡を防止するために接続部を非導電性のもので覆ってください。
- ▶ バッテリーは子供が手を触れることのないように廃棄してください。
- ▶ バッテリーの廃棄は、最寄りの**Hilti Store** あるいは適切な廃棄物処理業者に依頼してください。

**Hilti** 製品の大部分の部品はリサイクル可能です。リサイクル前にそれぞれの部品は分別して回収されなければなりません。多くの国で**Hilti** は、古い工具をリサイクルのために回収しています。詳細については弊社営業担当または**Hilti** 代理店・販売店にお尋ねください。



- ▶ 電動工具、電子機器およびバッテリーを一般ゴミとして廃棄してはなりません！

## 11 メーカー保証

- ▶ 保証条件に関するご質問は、最寄りの**Hilti** 代理店・販売店までお問い合わせください。

## 12 その他の情報

ご使用方法、技術、環境保護およびリサイクルに関するその他の情報については、[qr.hilti.com/manual/?id=2354065&id=2354067](http://qr.hilti.com/manual/?id=2354065&id=2354067)

このリンクは、本書の巻末にもQRコードとして記載されています。

# 오리지널 사용 설명서

## 1 사용 설명서 관련 정보

### 1.1 본 사용 설명서에 관하여

- 처음 이 제품을 사용하기 전에 본 사용 설명서를 읽으십시오. 안전하게 작업하고 문제 없이 취급하기 위한 전제가 됩니다.
- 본 사용 설명서 및 제품에 나와 있는 안전상의 주의사항 및 경고 지침에 유의하십시오.
- 항상 제품에 있는 사용 설명서를 잘 보관하고 제품은 반드시 본 사용 설명서와 함께 다른 사람에게 전달하십시오.

### 1.2 기호 설명

#### 1.2.1 경고사항

본 제품을 다루면서 발생할 수 있는 위험에 대한 경고사항. 다음과 같은 시그널 워드가 사용됩니다.



### 위험

위험!

- ▶ 이 기호는 직접적인 위험을 표시합니다. 만약 지키지 않으면 심각한 부상을 당하거나 사망할 수도 있습니다.



### 경고

경고!

- ▶ 이 기호는 잠재적인 위험을 표시합니다. 만약 지키지 않으면 심각한 부상을 당하거나 사망할 수도 있습니다.



**⚠ 주의**

주의 !

▶ 이 기호는 잠재적인 위험 상황을 표시합니다. 만약 지키지 않으면 부상 또는 물적 손실을 입을 수 있습니다.

**1.2.2 사용 설명서에 사용된 기호**

본 사용 설명서에서 사용되는 기호는 다음과 같습니다.

	사용 설명서에 유의하십시오
	적용 지침 및 기타 유용한 사용정보
	재사용이 가능한 자재 취급방법
	전기 기기 및 배터리를 일반 가정의 쓰레기처럼 폐기해서는 안 됨
	Hilti 리튬 이온 배터리
	Hilti 충전기

**1.2.3 그림에 사용된 기호**

그림에 다음과 같은 기호가 사용됩니다.

	이 숫자는 본 사용 설명서 첫 부분에 있는 해당 그림을 나타냅니다.
	매겨진 숫자는 작업 단계의 순서를 나타내며, 텍스트에 매겨진 작업 단계와 차이가 있을 수 있습니다.
	항목 번호는 개요 그림에서 사용되며, 제품 개요 단락에 나와 있는 기호 설명 번호를 나타냅니다.
	이 표시는 제품을 다룰 때, 특별히 주의할 사항을 나타냅니다.

**1.3 제품 관련 기호**

**1.3.1 제품에 사용된 기호**

제품에 사용되는 기호는 다음과 같습니다.

	직류
	회전 방향 화살표
	본 제품은 iOS 및 Android 플랫폼과 호환 가능한 NFC 기술을 지원합니다.
	리튬이온 배터리
	배터리를 물건으로 가격하는 일이 없도록 하고 배터리를 절대 타격 공구로 사용하지 마십시오.
	배터리를 떨어뜨리지 마십시오. 타격을 받은 적이 있거나 다른 손상이 있는 배터리는 사용하지 마십시오.

**1.4 제품 정보**

**HILTI** 제품은 전문가용으로 설계되어 있으며, 해당 교육을 이수한 공인된 작업자를 통해서만 조작, 유지 보수 및 수리 작업을 진행할 수 있습니다. 이 기술자는 발생할 수 있는 위험에 대해 특별 교육을 받은 상태여야 합니다. 교육을 받지 않은 사람이 제품을 부적절하게 취급하거나 규정에 맞지 않게 사용할 경우에는 기기와 그 보조기구에 의해 부상을 당할 위험이 있습니다.

형식 명칭 및 일련 번호는 형식 라벨에 제시되어 있습니다.



- ▶ 일련 번호를 다음의 표에 옮기십시오. 대리점 또는 서비스 센터에 문의할 경우 제품 제원이 필요합니다.  
제품 제원

충전식 밴드소	SB 6-22
세대	01
일련 번호	

### 1.5 적합성 선언

본 제조사는 단독 책임 하에 여기에 기술된 제품이 통용되는 법 규정 및 규범과 일치함을 밝힙니다. 적합성 증명서 사본은 본 문서 끝 부분에서 확인할 수 있습니다.

기술 문서는 이곳에 기술되어 있습니다.

Hilti Entwicklungsgesellschaft mbH | Zulassung Geräte | Hiltistraße 6 | 86916 Kaufering, DE

## 2 안전

### 2.1 전동 공구에 대한 일반적인 안전상의 주의사항

**⚠ 경고** 해당 전동 공구와 함께 동봉된 모든 안전상의 주의 사항, 지침, 그림 및 기술자료를 숙지하십시오. 다음과 같은 지침 내용을 준수하지 않으면 전기 충격, 화재가 발생하거나 그리고/또는 중상을 입을 수 있습니다. 앞으로 모든 안전상의 주의사항과 지침을 보관하십시오.

안전상의 주의사항에서 사용되는 "전동 공구"라는 개념은 전원에 연결하여 사용하는 전동 공구(전원 케이블 있음) 또는 배터리를 사용하는 전동 공구(전원 케이블 없음)를 의미합니다.

#### 작업장 안전수칙

- ▶ 작업장을 항상 깨끗이 하고 조명이 잘 들도록 하십시오. 어수선한 작업환경 또는 어두운 작업장은 사고를 초래할 수 있습니다.
- ▶ 인화성 액체, 가스 또는 먼지가 있어 폭발 위험이 있는 환경에서는 전동 공구를 사용하지 마십시오. 전동 공구는 먼지나 증기를 접화시킬 수 있는 스파크를 일으킵니다.
- ▶ 전동 공구를 사용할 때, 어린이들이나 다른 사람들이 작업장에 접근하지 못하도록 하십시오. 다른 사람의 방해로 인해 기기를 통제하기 어렵습니다.

#### 전기에 관한 안전수칙

- ▶ 전동 공구의 전원 플러그가 소켓에 잘 끼워져야 합니다. 플러그를 절대 변형시켜서는 안됩니다. 집지된 전동 공구와 함께 아답터 플러그를 사용하지 마십시오. 변형되지 않은 플러그와 적합한 소켓을 사용하면 감전의 위험을 줄일 수 있습니다.
- ▶ 파이프, 히터, 전기레인지, 냉장고와 같은 접지 표면에 신체 접촉을 피하십시오. 신체에 닿을 경우 감전될 위험이 높습니다.
- ▶ 전동 공구가 비에 맞지 않도록 하고 습한 장소에 두지 마십시오. 전동 공구에 물이 들어가면 감전될 위험이 높습니다.
- ▶ 전원 케이블만 잡고 전동 공구를 운반하거나 걸어 놓아서는 안되며, 소켓에서 전원 플러그를 빼낼 때 케이블만 잡은 채로 빼내지 마십시오. 전원 케이블이 열, 오일, 날카로운 모서리 또는 부품의 가동 부위에 접촉하지 않도록 주의하십시오. 손상되거나 서로 꼬인 전원 케이블은 감전 위험을 높입니다.
- ▶ 실외에서 전동 공구를 이용하여 작업할 때, 실외용으로 승인된 연장 케이블만 사용하십시오. 실외용 연장 케이블을 사용하면 감전의 위험을 줄여줍니다.
- ▶ 전동 공구를 습한 환경에서 사용하는 것을 피할 수 없을 경우, 누전 차단기를 사용하십시오. 누전 차단기를 사용하면 감전 위험을 줄일 수 있습니다.

#### 사용자 안전수칙

- ▶ 신중하게 작업하십시오. 작업에 정신을 집중하고 전동 공구를 사용할 때 경솔하게 행동하지 마십시오. 피곤하거나 항정신성 약물, 술 또는 약물 복용시에는 전동 공구를 사용하지 마십시오. 전동 공구 사용 시 이에 유의하지 않을 경우 심각한 부상을 초래할 수 있습니다.
- ▶ 안전 장비를 갖추고 보안경을 착용하십시오. 전동 공구의 종류와 사용에 따라, 먼지 보호 마스크, 미끄럼 방지용 안전 신발, 안전모 또는 귀마개 등과 같은 안전한 보호장비를 착용하면 부상의 위험을 줄일 수 있습니다.
- ▶ 실수로 기기가 작동하지 않도록 주의하십시오. 전동 공구를 전원 그리고/또는 배터리에 연결하기 전, 보관 또는 운반 전에 전동 공구가 스위치 OFF 상태인지 확인하십시오. 전동 공구 운반 시 스위치에 손가락을 대거나 스위치가 켜진 상태에서 전원을 연결하면 사고를 유발할 수 있습니다.
- ▶ 전동 공구의 스위치를 켜기 전, 조정공구 또는 렌치를 제거하십시오. 기기 회전부에 남아있는 공구나 렌치로 인해 부상을 입을 수 있습니다.
- ▶ 작업 시 비정상적인 자세는 피하십시오. 안전한 작업자세가 되도록 하고, 항상 균형을 유지하십시오. 이렇게 하여 예기치 않은 상황에서도 전동 공구를 잘 제어할 수 있습니다.



- ▶ 적합한 작업복을 착용하십시오. 헐렁한 복장이나 장식품을 착용하지 마십시오. 작동하는 기기 가동 부위에 머리, 옷 그리고 장갑이 가까이 닿지 않도록 주의하십시오. 헐렁한 복장, 장식품 혹은 긴 머리가 가동 부위에 말려 들어갈 수 있습니다.
- ▶ 먼지 제거장치나 수거장치를 설치할 수 있는 기기의 경우, 이 장치들이 연결되어 있는지 그리고 제대로 작동되는지를 확인하십시오. 먼지 포집장치 사용은 먼지로 인한 위험을 줄여줄 수 있습니다.
- ▶ 이 전동 공구를 여러번 사용해왔다고 해서 안전하다고 안심하지 말고 전동 공구에 해당되는 안전 규칙을 무시하지 마십시오. 부주의하게 행할 경우 아주 짧은 순간에 중상을 입을 수 있습니다.

#### 전동 공구의 취급과 사용

- ▶ 기기에 과부하가 걸리지 않도록 하십시오. 귀하의 작업에 적합한 전동 공구를 사용하십시오. 적합한 전동 공구를 사용하면, 지정된 성능 한도 내에서 더 효율적으로 안전하게 작업할 수 있습니다.
- ▶ 스위치가 고장난 전동 공구는 사용하지 마십시오. 스위치가 작동되지 않는 전동 공구는 위험하므로, 반드시 수리를 해야 합니다.
- ▶ 기기 세팅을 실행, 액세서리를 교환 또는 기기를 보관하기 전에 컨넥터를 전원소켓에서 그리고/또는 탈착식 배터리를 기기에서 빼놓으십시오. 이러한 조치는 실수로 전동 공구가 작동하지 않도록 방지합니다.
- ▶ 사용하지 않는 전동 공구는 어린이들의 손이 닿지 않는 곳에 보관하십시오. 기기 사용에 익숙치 않거나 또는 이 안전수칙을 읽지 않은 사람이 기기를 사용해서는 안 됩니다. 비숙련자가 전동 공구를 사용하면 위험합니다.
- ▶ 전동 공구 및 액세서리를 유의해서 관리하십시오. 기기의 가동 부위가 완벽하게 작동하는지, 끼어 있지 않은지, 혹은 부품이 손상되거나 파손되어 있어 전동 공구의 기능을 저하시키지 않는지 점검하십시오. 기기 사용 전 손상된 부품을 수리하도록 하십시오. 제대로 관리되지 않은 전동 공구는 많은 사고를 유발합니다.
- ▶ 절단기기는 날카롭고 깨끗하게 관리하십시오. 날카로운 절단면이 있고 잘 관리된 절단기기는 끼이는 경우가 드물고 조절하기도 쉽습니다.
- ▶ 본 지침에 따라 전동 공구, 액세서리, 공구 비트 등을 사용하십시오. 이 때 작업 조건과 실시하려는 작업 내용을 고려하십시오. 원래 사용 분야가 아닌 다른 작업에 전동 공구를 사용할 경우, 위험한 상황을 초래할 수 있습니다.
- ▶ 손잡이 및 손잡이 표면은 건조하고 깨끗하게, 그리고 오일과 그리스가 묻어있지 않도록 해야 합니다. 미끄러운 손잡이 및 손잡이 표면은 예상치 못한 상황에서 전동 공구를 안전하게 조작하고 제어할 수 없습니다.

#### 배터리 공구의 취급과 사용

- ▶ 제조회사가 권장한 충전기에만 배터리를 충전시키십시오. 특정한 형식의 배터리를 사용하도록 규정되어 있는 충전기에 다른 배터리를 사용할 경우 화재 발생의 위험이 있습니다.
- ▶ 전동 공구에 적합하게 규정된 배터리만 사용하십시오. 다른 배터리를 사용하면 부상을 입을 수 있고, 화재가 발생할 수 있습니다.
- ▶ 배터리를 사용하지 않을 경우 클립, 동전, 키, 못, 나사 또는 다른 소형 금속 물질로부터 사용하지 않는 배터리를 멀리 떨어뜨려 놓아주십시오. 배터리 간 단락으로 인한 연소 또는 화재를 초래할 수 있습니다.
- ▶ 잘못 사용할 경우, 배터리로부터 전해액이 흘러나올 수 있습니다. 전해액을 직접 만지지 마십시오. 실수로 만졌을 경우, 물로 씻으십시오. 전해액이 눈에 들어갔으면, 의사와 상담하십시오. 배터리로부터 흘러나온 전해액은 피부를 손상시킬 수 있으며, 화재를 발생시킬 수 있습니다.
- ▶ 손상된 배터리 또는 변경된 배터리를 사용하지 마십시오. 손상된 배터리 또는 변경된 배터리는 예상치 못한 상황 및 화재, 폭발 또는 부상 위험을 초래할 수 있습니다.
- ▶ 배터리에서 불꽃이 발생하거나 또는 배터리가 너무 높은 온도에 노출되지 않게 하십시오. 불꽃 또는 온도 가 130 °C (265 °F)를 넘으면 폭발을 일으킬 수 있습니다.
- ▶ 충전에 관한 모든 지침을 준수하여 배터리 또는 배터리 공구를 절대 사용 설명서에 제시된 범위를 벗어난 온도에서 충전하지 마십시오. 잘못 충전하거나 허용된 범위를 벗어난 온도에서 충전하면 배터리가 파손되어 화재 발생 위험이 높아질 수 있습니다.

#### 서비스

- ▶ 전동 공구는 반드시 자격을 갖춘 전문가에 의해 그리고 순정 대체부품만 이용하여 수리해야 합니다. 이렇게 하여 기기의 안전성을 계속해서 유지할 수 있습니다.
- ▶ 손상된 배터리를 절대 수리하지 마십시오. 배터리 수리는 제조회사 또는 권한을 위임받은 고객 서비스센터에서만 이루어져야 합니다.

## 2.2 밴드쏘 관련 안전상의 주의 사항

- ▶ 숨겨진 전선에 공구 비트가 접촉할 수 있는 작업을 실행할 경우, 항상 기기의 절연된 손잡이 부분을 잡으십시오. 전류가 흐르는 전선과 접촉하면 전동공구의 금속 부위를 통해 감전이 될 수도 있습니다.



### 2.3 추가적인 안전상의 주의사항

- ▶ 절단 부위와 밴드쏘 톱날에 손을 대지 마십시오. 양손으로 안전 스위치가 있는 손잡이를 잡으십시오. 양쪽 손으로 톱을 잡으면, 톱 작업 시 손 부상을 막을 수 있습니다.
- ▶ 기술적 하자가 없는 상태에서에만 제품 및 액세서리를 사용하십시오.
- ▶ 어떠한 경우에도 제품 또는 액세서리를 변경하거나 개조하지 마십시오.
- ▶ 제품을 작업 위치로 가져온 후에만 제품의 전원을 켜십시오.
- ▶ 회전하는 부품에 접촉하지 않도록 하십시오. - 부상 위험!
- ▶ 제품을 들어올리거나 운반할 때 조심하십시오. 밴드쏘 톱날이 날카로워 절단 부상을 입거나 물적 손상을 유발할 수 있습니다.
- ▶ 제품을 사용할 때에는 보안경, 안전모, 귀마개를 착용하십시오.
- ▶ 공구 교체 시 보호장갑을 착용하십시오. 공구 비트에 닿으면 부상을 입거나 화상을 당할 수 있습니다.
- ▶ 샌딩, 연마, 절단 및 드릴링 작업 시 발생하는 먼지에는 위험한 화학물질이 함유되어 있을 수 있습니다. 예를 들어 납 또는 납 계열의 페인트, 벽돌, 콘크리트 및 기타 조적 벽돌 제품, 자연석 및 기타 실리콘 함유 제품, 참나무, 너도밤나무 및 화학 처리된 목재 등과 같은 특정 목재, 석면 또는 석면이 함유된 자재 등이 있을 수 있습니다. 작업하는 자재의 위험 등급을 따라 조작자 및 주변에 있는 사람들의 노출 정도를 결정하십시오. 안전한 수준에서 노출이 이루어질 수 있도록 예를 들어 먼지 포집장치 사용 또는 적합한 보호 마스크 착용 등 필요한 조치를 취하십시오. 노출을 줄일 수 있는 일반적인 조치:
  - ▶ 환기가 잘 되는 곳에서 작업하기,
  - ▶ 장시간 먼지 접촉 피하기,
  - ▶ 얼굴 및 신체의 먼지를 다른 곳으로 털어내기,
  - ▶ 보호 복장 착용 및 노출된 영역을 비누와 물로 세척하기.
- ▶ 부상을 방지하기 위해 밴드쏘 톱날 커버가 제대로 설치된 상태에서만 밴드쏘를 사용하십시오.
- ▶ 길이방향 절단 작업을 할 때 항상 립 펜스나 직선형의 모서리 가이드를 사용하십시오. 이렇게 하면 보다 정확한 절단이 가능하며 톱날이 걸릴 위험이 줄어듭니다.
- ▶ 절단하려는 공작물을 절대 손 또는 다른 신체 부위로 잡지 마십시오. 공작물을 견고한 마운트에 안전하게 고정하십시오. 톱날이 몸에 닿거나 또는 톱날이 걸려서 통제력을 잃는 것을 방지하려면 공작물을 제대로 고정하는 것이 중요합니다.
- ▶ 항상 양손으로 제품의 손잡이를 잡아 고정시키고, 팔을 기기의 반동력을 억제할 수 있는 위치에 놓으십시오.
- ▶ 손잡이는 오일과 그리스가 없는 깨끗하고 건조한 상태를 유지해야 합니다.
- ▶ 항상 톱날 옆으로 서서 작업하고 절대로 몸과 일직선이 되게 하지 마십시오. 반동이 생길 경우, 톱이 뒤로 튕길 수 있습니다!
- ▶ 특히 오버헤드 작업 시 안전한 자세를 유지하십시오. 갑자기 파손이 발생하면 균형을 잃을 수 있습니다.
- ▶ 파괴 작업 시 공작물의 양쪽을 고정하십시오. 파편들이 떨어져 부상을 유발할 수 있습니다.
- ▶ 톱날이 끼었거나 또는 작업을 중단하려면, 톱의 전원을 끄고 톱날이 정지될 때까지 가만히 있으십시오. 톱날이 움직이고 있을 때 톱을 공작물에서 빼거나 뒤로 당기려고 하지 마십시오. 반동력이 발생할 수 있습니다.
- ▶ 공작물에 끼어 있는 톱을 재시동하려면 톱날을 절단면 가운데에 맞추고 톱니가 공작물에 물려 있지 않은지 확인하십시오.
- ▶ 벽이 있거나 혹은 다른 보이지 않는 영역에서 절단 작업시에는 특히 조심하십시오. 삽입된 톱날은 절단 작업 시 보이지 않는 물체를 차단하거나 반동을 유발할 수 있습니다.
- ▶ 손가락의 혈액순환이 잘 되도록 자주 휴식시간을 갖고, 휴식하는 동안 손가락 운동을 하십시오. 장시간 작업하면 강한 진동으로 인해 혈관 장애 또는 손가락, 손 및 손목의 신경 체계에 이상이 있을 수 있습니다.
- ▶ 제품의 LED 조명을 직접 응시하거나 다른 사람의 얼굴을 비추지 마십시오. 실명 위험이 있습니다.
- ▶ 톱 작업을 시작하기 전에 톱날이 제대로 장착되었는지 확인하십시오. 톱날이 잘못 장착되면 끼어 움직이지 않고 반동을 유발할 수 있습니다.
- ▶ 떨어지는 공구 및/또는 액세서리로 인한 부상 위험. 작업을 시작하기 전에 배터리 및 설치된 액세서리가 안전하게 고정되어 있는지 확인하십시오.

#### 전기에 관한 안전수칙

- ▶ 작업을 시작하기 전에, 작업장에서 가려져 있거나 덮혀 있는 전기 배선, 가스 파이프 그리고 하수도관이 있는지를 점검하십시오. 전기 배선, 가스 파이프 또는 하수도관을 손상시킨 경우, 제품 바깥쪽에 있는 금속 부품에서 감전 또는 폭발을 유발할 수 있습니다.
- ▶ 파이프를 절단하기 전에는 항상 파이프에 액체가 채워져 있지 않도록 하고 필요시 이를 비우십시오. 파이프 절단 시, 제품을 절단해야 할 파이프보다 높게 위치시키도록 하십시오. 제품은 물 또는 습기에 대한 방수가 되지 않습니다.

#### 전동 공구의 올바른 사용방법과 취급방법

- ▶ 정해진 크기의 밴드쏘 톱날만 사용하십시오.





- ▶ 무디거나 손상된 밴드쓰 톱날을 사용하지 마십시오. 이러한 톱날은 마찰력을 높이고, 밴드쓰 톱날이 끼이거나 반동이 생기게 합니다.
- ▶ 제조사에서 제공하는 밴드쓰 톱날 취급 및 보관 관련 지침에 유의하십시오.

## 2.4 배터리의 올바른 사용방법과 취급방법

- ▶ 리튬 이온 배터리를 보다 안전하게 취급하고 사용할 수 있도록 다음과 같은 안전상의 주의 사항에 유의하십시오. 유의하지 않을 경우 피부 자극, 심각한 부식성 부상, 화학 화상, 화재 및/또는 폭발을 유발할 수 있습니다.
- ▶ 기술적 하자가 없는 상태에서만 배터리를 사용하십시오.
- ▶ 배터리를 조심히 다뤄 손상되지 않고, 건강에 유해한 액체가 흘러나오지 않게 하십시오!
- ▶ 배터리는 어떠한 경우에도 개조 또는 변조해서는 안 됩니다!
- ▶ 배터리를 분해하거나 강한 압력 또는 80 °C (176 °F) 이상의 열을 가하거나 연소시켜서는 안 됩니다.
- ▶ 타격을 받은 적이 있거나 다른 손상이 있는 배터리는 사용 또는 충전하지 마십시오. 손상될 기미가 보이는 지 정기적으로 점검하십시오.
- ▶ 재활용 또는 수리한 배터리는 절대 사용하지 마십시오.
- ▶ 배터리 또는 배터리 구성식 전동 공구를 절대 타격 공구로 사용하지 마십시오.
- ▶ 배터리가 직사광선, 고온, 스파크 또는 불꽃에 절대 노출되지 않도록 하십시오. 이로 인해 폭발이 발생할 수 있습니다.
- ▶ 배터리 전극을 손가락, 공구, 장신구 또는 다른 전도성 물체를 통해 만지지 마십시오. 이는 배터리 손상, 물적 손상 및 부상을 유발할 수 있습니다.
- ▶ 배터리가 비 또는 습기 및 액체에 노출되지 않게 하십시오. 습기가 유입되면 단락, 감전, 화재, 불꽃 및 폭발이 일어날 수 있습니다.
- ▶ 배터리 타입에 해당되는 충전기 및 전동공구만 사용하십시오. 이를 위해 해당 사용 설명서에 적혀 있는 내용을 확인하십시오.
- ▶ 폭발 위험이 있는 환경에서 배터리를 사용하거나 보관하지 마십시오.
- ▶ 배터리를 잡기에 너무 뜨거운 경우에는 고장일 수 있습니다. 배터리를 인화성 물질과 충분한 거리를 둔 상태에서 눈에 잘 띄며 불이 잘 붙지 않는 장소에 두십시오. 배터리를 냉각시키십시오. 한 시간 후에도 계속 해서 배터리를 잡기에 너무 뜨거운 경우에는 배터리에 결함이 있을 수 있습니다. Hilti 서비스 센터에 문의하거나 "안전 및 Hilti 리튬 이온 배터리 작업 관련 지침" 문서 내용을 확인하십시오.

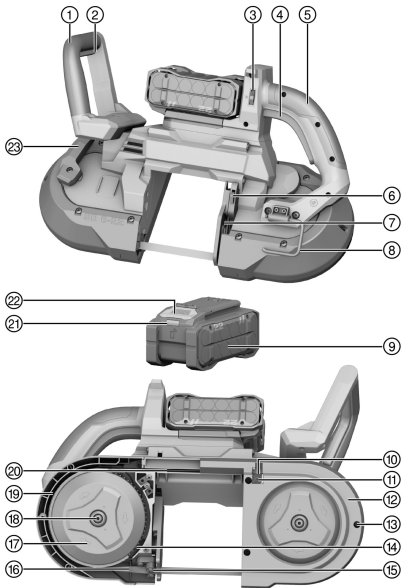


리튬 이온 배터리의 운반, 보관 및 사용 시 적용되는 특수 가이드라인에 유의하십시오. → 페이지 227  
 안전 및 Hilti 리튬 이온 배터리 작업 관련 지침은 본 사용 설명서의 끝부분에 제시된 QR 코드를 통해 확인할 수 있습니다.



**3 제품 설명**

**3.1 제품 개요**



- ① 안전 스위치가 있는 손잡이
- ② 안전 스위치
- ③ 회전속도 스위치
- ④ 컨트롤 스위치
- ⑤ 컨트롤 스위치가 있는 손잡이
- ⑥ 절단 가이드 로크
- ⑦ 절단 가이드
- ⑧ 후크
- ⑨ 배터리
- ⑩ 캐리어 플레이트
- ⑪ 캐리어 플레이트 볼트
- ⑫ 밴드쏘 톱날 커버
- ⑬ 밴드쏘 톱날 커버 볼트
- ⑭ 가이드 홈
- ⑮ 밴드쏘 톱날 가이드
- ⑯ 밴드쏘 톱날
- ⑰ 롤러
- ⑱ 롤러 고정 장치
- ⑲ 고무 링
- ⑳ 밴드쏘 톱날 가이드 홈
- ㉑ 배터리 상태 표시기
- ㉒ 배터리 잠금해제 노브
- ㉓ 밴드쏘 톱날 클램핑 레버

**3.2 규정에 맞는 사용**

기술된 제품은 배터리 구동식 밴드쏘입니다. 이 톱은 금속 소재 및 플라스틱을 절단하는 데 사용됩니다. 본 제품은 양손으로 조작하도록 설계되어 있습니다.

- 본 제품에는 모델시리즈 B 22의 Hilti Nuron 리튬이온 배터리만 사용하십시오. Hilti는 출력을 최적화할 수 있도록 본 제품에 본 사용 설명서의 끝부분 표에 명시된 배터리를 사용할 것을 권장합니다.
- 해당 배터리에는 본 사용 설명서 끝부분 표에 명시된 모델시리즈의 Hilti 충전기만 사용하십시오.

**3.3 공급품목**

밴드쏘, 사용 설명서

해당 제품에 허용되는 기타 시스템 제품은 **Hilti Store** 또는 다음 사이트에서 확인할 수 있습니다.  
[www.hilti.group](http://www.hilti.group)

**3.4 리튬이온 배터리 표시**

Hilti Nuron 리튬 이온 배터리는 충전 상태, 오류 메시지 및 배터리 상태를 표시할 수 있습니다.

**3.4.1 충전 상태 및 오류 메시지 표시**



**경고**

부상 위험 떨어지는 배터리로 인한 위험!

- ▶ 배터리가 끼워진 상태에서 잠금해제 버튼을 누른 경우, 배터리가 사용하는 제품에 다시 제대로 고정되었는지 확인하십시오.

다음과 같은 표시를 확인하려면, 배터리 잠금해제 버튼을 짧게 누르십시오.

연결된 제품의 전원이 켜져 있는 동안 충전 상태 및 발생 가능한 장애 내용도 계속 표시됩니다.

상태	의미
4개 LED가 녹색으로 계속 점등됩니다	충전 상태: 100 % ~ 71 %



상태	의미
3개 LED가 녹색으로 계속 점등됩니다	충전 상태: 70 % ~ 51 %
2개 LED가 녹색으로 계속 점등됩니다	충전 상태: 50 % ~ 26 %
1개 LED가 녹색으로 계속 점등됩니다	충전 상태: 25 % ~ 10 %
1개 LED가 녹색으로 느리게 깜박입니다	충전 상태: < 10 %
1개 LED가 녹색으로 빠르게 깜박입니다	리튬 이온 배터리가 완전히 방전되었습니다. 배터리를 충전하십시오. 배터리 충전 후에도 계속해서 LED가 빠르게 깜박이면, <b>Hilti</b> 서비스 센터에 문의해 주십시오.
1개 LED가 황색으로 빠르게 깜박입니다	리튬 이온 배터리 또는 배터리와 관련된 제품이 과부하되었거나, 너무 뜨겁거나 차갑거나 또는 다른 오류가 발생했습니다. 제품 및 배터리를 권장하는 작동 온도 상태로 유지하고, 제품을 사용하지 않을 경우 제품에 과부하가 걸리지 않도록 하십시오. 해당 메시지가 계속 존재하는 경우, <b>Hilti</b> 서비스 센터에 문의해 주십시오.
1개 LED가 황색으로 점등됩니다	리튬 이온 배터리 및 배터리가 연결된 제품과 호환되지 않습니다. <b>Hilti</b> 서비스 센터에 문의해 주십시오.
1개 LED가 적색으로 빠르게 깜박입니다	리튬 이온 배터리 사용이 금지되어 더 이상 사용할 수 없습니다. <b>Hilti</b> 서비스 센터에 문의해 주십시오.

### 3.4.2 배터리 상태 표시

배터리 상태를 조회하려면, 잠금해제 버튼을 3초 이상 누르고 계십시오. 낙하, 틈새 발생, 외부 요인으로 인한 열 손상 등 잘못된 사용으로 인해 시스템에서 잠재적으로 발생할 수 있는 배터리의 오작동을 감지하지 못합니다.

상태	의미
작동 표시등으로 모든 LED가 점등된 후 1개 LED가 녹색으로 계속 점등됩니다.	배터리를 계속해서 사용할 수 있습니다.
작동 표시등으로 모든 LED가 점등된 후 1개 LED가 황색으로 빠르게 깜박입니다.	배터리 상태 조회를 종료할 수 없습니다. 해당 과정을 반복하거나 <b>Hilti</b> 서비스 센터에 문의해 주십시오.
작동 표시등으로 모든 LED가 점등된 후 1개 LED가 적색으로 계속 점등됩니다.	연결된 제품을 계속해서 사용할 수 없는 경우, 남아 있는 배터리 용량이 50% 미만입니다. 연결된 제품을 계속해서 사용할 수 없는 경우, 배터리의 수명이 다 되어 교체해야 합니다. <b>Hilti</b> 서비스 센터에 문의해 주십시오.

## 4 기술자료

<b>EPTA Procedure 01에 따른 중량(배터리 미포함)</b>	6.5kg
정격 전압	21.6V
공회전 속도	150m/min
최대 절단 깊이	127mm
제품 치수 (길이 x 폭 x 높이)	525mm x 175mm x 375mm
밴드소 톱날 치수 (길이 x 폭 x 두께)	1,140mm x 12.4mm x 0.5mm
작동 시 주변 온도	-17 °C ... 60 °C
보관 온도	-20 °C ... 70 °C

### 4.1 배터리

배터리 모드 전압	21.6V
배터리 무게	본 사용 설명서의 끝부분 참조
작동 시 주변 온도	-17 °C ... 60 °C



보관 온도	-20 °C ... 40 °C
충전 시작 시 배터리 온도	-10 °C ... 45 °C

#### 4.2 EN 60745에 따른 소음 정보 및 진동값

이 지침에 제시된 음압 및 진동수준은 표준화된 측정방법에 따라 측정된 것이며, 전동공구를 서로 비교하기 위한 용도로 사용할 수 있습니다. 음압 및 진동 수준은 노출 정도를 사전에 예측하는 데에도 유용하게 사용할 수 있도록 설계되어 있습니다. 제시된 데이터는 전동공구의 주된 용도를 나타냅니다. 그러나 전동공구를 다른 용도로 사용하거나 다른 공구 비트를 사용할 경우 또는 유지보수를 충분히 하지 않은 상태에서는 데이터에 편차가 있을 수 있습니다. 이러한 경우 전 작업시간에 걸쳐 노출이 현저하게 증가할 수 있습니다. 노출을 정확하게 평가하기 위해서는 기기 작동이 멈춰 있거나 또는 작동 중이지만 실제로는 사용하지 않는 시간도 고려해야 합니다. 이러한 경우 전 작업시간에 걸쳐 노출이 현저하게 감소할 수 있습니다. 사용자를 보호하기 위해 음파 그리고/또는 진동이 작용하기 전에 다음과 같은 추가적인 안전 조치를 취하십시오. 전동공구와 공구 비트의 유지보수, 손을 따뜻하게 유지, 작업순서 정하기 등.

#### 소음정보

소음 수준 (L <sub>WA</sub> )	86dB(A)
소음 수준 허용공차 (K <sub>WA</sub> )	3dB(A)
소음 수준 (L <sub>pA</sub> )	75dB(A)
음압 수준 허용공차 (K <sub>pA</sub> )	3dB(A)

#### 진동 총 값

금속 절단 진동 배출값 (ah,CM)	B 22-55	0.8m/s <sup>2</sup>
	B 22-255	0.7m/s <sup>2</sup>
허용공차 (K)		1.5m/s <sup>2</sup>

## 5 작업 준비

### 경고

부상 위험 돌발적인 작동!

- ▶ 배터리를 끼우기 전에 해당 제품의 전원이 꺼져 있는지 확인하십시오.
- ▶ 기기 설정 또는 액세서리를 교체하기 전에 배터리를 제거하십시오.

본 문서 및 제품에 나와 있는 안전 지침 및 경고 지침에 유의하십시오.

### 5.1 배터리 충전

1. 충전하기 전에 충전기의 사용 설명서를 읽으십시오.
2. 배터리 및 충전기의 접점이 청결하고 건조한 상태인지 확인하십시오.
3. 허용되는 충전기에서 배터리를 충전하십시오. → 페이지 220

### 5.2 배터리 삽입

### 경고

부상 위험 부상 위험!

- ▶ 배터리를 끼우기 전에 배터리의 접점 및 제품의 접점에 이물질이 남아 있지 않은지 확인하십시오.
- ▶ 배터리가 제대로 고정되었는지 확인하십시오.

1. 처음으로 사용하기 전, 배터리를 완전히 충전하십시오.
2. 배터리가 제품에 고정되는 소리가 들릴 때까지 미십시오.
3. 배터리가 정확하게 설치되어 있는지 점검하십시오.

### 5.3 배터리 제거

1. 배터리의 잠금 해제 버튼을 누르십시오.
2. 배터리를 제품에서 빼내십시오.



## 5.4 밴드쏘 톱날 교체 2

### 경고

밴드쏘 톱날로 인한 부상 위험. 밴드쏘 톱날이 상황에 따라 뜨거워지거나 모서리가 날카로울 수 있습니다.

- ▶ 톱날 교체 작업 시 보호장갑 및 보안경을 착용하십시오.
- ▶ 밴드쏘 톱날 커버가 제대로 장착된 상태에서만 밴드쏘를 사용하십시오.
- ▶ 사용한 밴드쏘는 절대 가연성 모재에 올려두지 마십시오.

### 주의

잘못된 밴드쏘 톱날로 인한 물체 손상. 잘못된 밴드쏘 톱날은 조기에 자재를 마모시키고 밴드쏘에 손상을 입힐 수 있습니다.

- ▶ 밴드쏘와 자재에 맞는 올바른 밴드쏘 톱날을 선택하십시오.
- ▶ 절단해야 할 자재에 맞는 날 피치(인치당 날 수)를 보유한 밴드쏘 톱날을 선택하십시오. 딱딱하고/얇은 자재에는 날 피치가 큰 톱날, 부드럽고/두꺼운 자재에는 날 피치가 작은 톱날을 사용합니다.
- ▶ 두께가 0.5 mm인 밴드쏘 톱날을 사용하십시오. 밴드쏘 톱날이 두꺼우면 톱니의 절곡 부하가 더 높아지고 마모가 더 빨라집니다.
- ▶ 최소 2개 이상의 톱니가 공작물에 닿도록 밴드쏘 톱날을 잘 선택하십시오.
- ▶ 1140 mm × 12,5 mm × 0.5 mm 치수의 밴드쏘 톱날만 사용하십시오.

1. 양쪽 밴드쏘 톱날의 볼트를 푸십시오.
2. 양쪽 밴드쏘 톱날의 커버를 분리하십시오.
3. 클램핑 레버를 스톱 위치까지 돌리십시오.
  - ▶ 밴드쏘 톱날이 느슨해집니다.
4. 기존에 사용하던 밴드쏘 톱날을 가이드에서 분리한 후 밴드쏘 톱날을 폐기하십시오.
5. 새 밴드쏘 톱날을 밴드쏘 톱날 가이드에 끼우십시오.
6. 새 밴드쏘 톱날을 양쪽 롤러 주변에 끼우십시오.
7. 새 밴드쏘 톱날을 밴드쏘 톱날 가이드 홈에 끼우십시오.
8. 밴드쏘 톱날이 올바른 위치에 있는지 점검하십시오.
9. 클램핑 레버를 스톱 위치까지 돌리십시오.
  - ▶ 밴드쏘 톱날이 조여집니다.
10. 양쪽 밴드쏘 톱날의 커버를 가져오십시오.
11. 양쪽 밴드쏘 톱날의 볼트를 조이십시오.

## 5.5 추락 방지장치

### 경고

부상 위험 떨어지는 공구 및/또는 액세서리에 의한 유발!

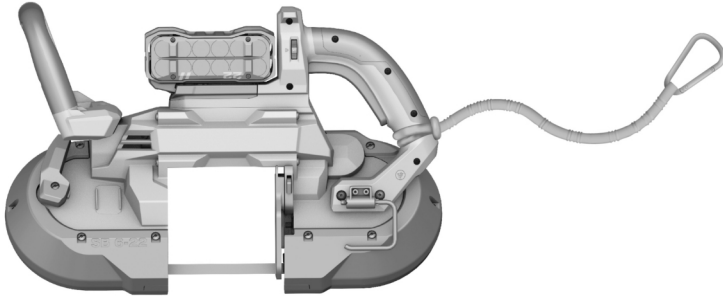
- ▶ 해당 제품에 권장하는 Hilti 공구 고정끈만 사용하십시오.
- ▶ 사용하기 전에 항상 공구 고정끈의 고정점에 손상된 곳이 없는지 확인하십시오.




공중 작업에 대한 국가별 규정에 유의하십시오.

본 제품에 맞는 추락 방지장치로 Hilti 공구 고정끈 #2261971만 사용하십시오.





- ▶ 그림에 제시된 바와 같이 공구 고정핀을 고리와 함께 제품에 고정시키십시오. 확실하게 고정되었는지 점검하십시오.
- ▶ 카라비너 후크를 하중을 지지하는 구조물에 고정시키십시오. 카라비너 후크가 확실하게 고정되었는지 점검하십시오.

 Hilti 공구 고정핀의 사용 설명서 내용에 유의하십시오.

## 6 조작

본 문서 및 제품에 나와 있는 안전 지침 및 경고 지침에 유의하십시오.

### 6.1 절단 가이드 설정

1. 절단 가이드의 로크를 누른 상태로 유지하십시오.
2. 절단 가이드를 원하는 높이로 이동시키십시오.
3. 절단 가이드의 로크에서 손을 떼십시오.

### 6.2 톱 작업

#### 경고

부상 위험 밴드쓰의 반동에 의한 부상.

- ▶ 절단 작업을 시작하기 전에 공작물을 바이스 등에 고정시키십시오.
- ▶ 공작물과 밴드쓰가 서로 마주 보도록 정렬하십시오.

#### 경고

부상 위험 애프터 러닝되는 톱으로 인한 위험

- ▶ 톱날이 완전히 정지한 상태에서에만 제품을 공작물에서 들어 올리도록 하십시오.
- ▶ 제품을 내려놓기 전에 제품이 완전히 정지할 때까지 기다리십시오.

#### 경고

밴드쓰 톱날로 인한 부상 위험. 밴드쓰 톱날이 상황에 따라 뜨거워지거나 모서리가 날카로울 수 있습니다.

- ▶ 톱날 교체 작업 시 보호장갑 및 보안경을 착용하십시오.
- ▶ 밴드쓰 톱날 커버가 제대로 장착된 상태에서만 밴드쓰를 사용하십시오.
- ▶ 사용한 밴드쓰는 절대 가연성 소재에 올려두지 마십시오.



### ⚠ 주의

잘못된 밴드쏘 톱날로 인한 물체 손상. 잘못된 밴드쏘 톱날은 조기에 자재를 마모시키고 밴드쏘에 손상을 입힐 수 있습니다.

- ▶ 밴드쏘와 자재에 맞는 올바른 밴드쏘 톱날을 선택하십시오.
- ▶ 절단해야 할 자재에 맞는 날 피치(인치당 날 수)를 보유한 밴드쏘 톱날을 선택하십시오. 딱딱하고/얇은 자재에는 날 피치가 큰 톱날, 부드럽고/두꺼운 자재에는 날 피치가 작은 톱날을 사용합니다.
- ▶ 두께가 0.5 mm인 밴드쏘 톱날을 사용하십시오. 밴드쏘 톱날이 두꺼우면 톱니의 절곡 부하가 더 높아지고 마모가 더 빨라집니다.
- ▶ 최소 2개 이상의 톱니가 공작물에 닿도록 밴드쏘 톱날을 잘 선택하십시오.
- ▶ 1140 mm × 12,5 mm × 0.5 mm 치수의 밴드쏘 톱날만 사용하십시오.

정기적으로 고무 링의 손상 여부를 점검하십시오.

밴드쏘의 수명을 높이려면, 작업을 진행한 후에는 항상 밴드쏘 톱날 커버 및 절단 가이드에 묻은 먼지와 부스러기를 깨끗이 청소하십시오.



밴드쏘 작업을 시작하려면: 먼저 컨트롤 스위치를 누르고 이후 안전스위치를 동시에 누르고 계십시오.



밴드쏘의 자재 중량만으로 절단을 진행하기에 충분합니다. 밴드쏘에 추가적으로 압력을 가할 필요 없습니다.

1. 필요에 따라 고무 링을 교체하십시오. → 페이지 226
2. 필요에 따라 밴드쏘 톱날을 교체하십시오. → 페이지 223
3. 컨트롤 스위치를 누른 상태로 유지하십시오.
4. 안전 스위치를 누르고 계십시오.
5. 공작물에 최대한 많은 톱니가 닿을 수 있도록 밴드쏘의 위치를 잡으십시오.
6. 절단 작업을 진행하십시오.



절단 시 항상 3개의 톱니가 남아 있을 수 있도록 밴드쏘를 이동시키십시오.

7. 컨트롤 스위치에서 손을 떼십시오.

## 7 관리 및 유지보수

### ⚠ 경고

배터리가 끼워진 상태에서 부상 위험!

- ▶ 관리 및 수리 작업을 진행하기 전에 항상 배터리를 제거하십시오!

#### 제품 관리

- 공구에 부착되어 있는 오염물질을 조심스럽게 제거하십시오.
- 오염물질이 있는 경우, 부드러운 마른 솔로 환기 슬롯을 조심스럽게 청소하십시오.
- 약간 물기가 있는 수건으로만 하우징을 청소해 주십시오. 플라스틱 부품을 손상시킬 수 있으므로 절대로 실리콘이 함유된 보호제를 사용하지 마십시오.
- 제품의 접점을 청소하려면 깨끗하고 마른 천을 사용하십시오.

#### 리튬 이온 배터리 관리

- 환기 슬롯이 막힌 상태에서는 절대 배터리를 사용하지 마십시오. 부드러운 마른 솔로 환기 슬롯을 조심스럽게 청소하십시오.
- 배터리가 불필요하게 먼지 또는 오염물에 노출되지 않도록 하십시오. 배터리를 절대 습도가 높은 곳에 두지 마십시오(예: 물 속에 담그거나 비내리는 곳에 두는 행위).  
배터리에 물이 들어가면, 손상된 배터리처럼 취급하십시오. 물이 들어간 배터리는 비가연성 용기에서 절연시킨 후, Hilti 서비스 센터에 문의해 주십시오.
- 배터리를 외부 오일 및 그리스가 묻지 않도록 깨끗하게 유지하십시오. 배터리에 불필요하게 먼지 또는 오염물이 쌓이지 않도록 하십시오. 배터리를 부드러운 마른 솔 또는 깨끗하고 마른 걸레로 닦아내십시오. 플라스틱 부품을 손상시킬 수 있으므로 절대로 실리콘이 함유된 보호제를 사용하지 마십시오.  
배터리의 접점에 접촉하지 말고, 접점에서 공구축에 부착된 그리스를 제거하지 마십시오.



- 약간 물기가 있는 수건으로만 하우징을 청소해 주십시오. 플라스틱 부품을 손상시킬 수 있으므로 절대로 실리콘이 함유된 보호제를 사용하지 마십시오.

#### 유지보수

- 눈에 보이는 모든 부품은 정기적으로 손상 여부를 점검하고, 조작용소가 문제 없이 작동하는지 점검하십시오.
- 손상되었거나 기능 장애가 있는 경우에는 제품을 작동하지 마십시오. 즉시 Hilti 서비스 센터에 제품 수리를 의뢰하십시오.
- 관리 및 수리 작업 후 모든 보호장치를 가져와 기능에 이상이 없는지 점검하십시오.

안전하게 작동하기 위해서는 손절품 예비 부품 및 소모품만 사용하십시오. Hilti에서 승인한 예비 부품, 소모품 및 액세서리는 Hilti Store 또는 [www.hilti.group](http://www.hilti.group)에서 확인할 수 있습니다.

### 7.1 밴드쏘 톱날 커버 교체

손상이 확인되는 즉시 밴드쏘 톱날 커버를 교체하십시오.

1. 밴드쏘 톱날 커버의 볼트를 푸십시오.
2. 손상된 밴드쏘 톱날 커버를 제거한 후 폐기하십시오.
3. 새 밴드쏘 톱날 커버를 밴드쏘에 끼우십시오.
4. 밴드쏘 톱날 커버의 볼트를 2 ~ 3 NM으로 조이십시오.

### 7.2 고무 링 교체

손상이 확인되는 즉시 고무 링을 교체하십시오.

1. 밴드쏘 톱날을 분리하십시오 → 페이지 223.
2. 고무 링을 제거하십시오.
3. 가이드 홈의 오염 여부를 점검하고 필요 시 이를 청소하십시오.
4. 밴드쏘 톱날의 롤러에 맞춰 새 고무 링을 끼우십시오.
5. 고무 링이 가이드 홈과 완전히 맞물릴 때까지 고무 링을 정렬하십시오.
6. 밴드쏘 톱날을 다시 장착하십시오. → 페이지 223

### 7.3 밴드쏘 톱날 가이드 교체

예를 들어 밴드쏘 톱날이 파인 홈에서 벗어나는 등 손상이 확인되는 즉시 밴드쏘 톱날 가이드를 교체하십시오.

1. 밴드쏘 톱날을 분리하십시오 → 페이지 223.
2. 밴드쏘 톱날 가이드의 양쪽 볼트를 푸십시오.
3. 손상된 밴드쏘 톱날 가이드를 밴드쏘에서 분리한 후 밴드쏘 톱날 가이드를 폐기하십시오.
4. 새 밴드쏘 톱날 가이드를 밴드쏘에 끼우십시오.
5. 밴드쏘 톱날 가이드의 볼트를 2 ~ 3 NM으로 조이십시오.
6. 밴드쏘 톱날을 다시 장착하십시오. → 페이지 223

### 7.4 캐리어 플레이트 교체

밴드쏘 톱날이 끌리거나 고착되면 캐리어 플레이트를 교체하십시오.

1. 밴드쏘 톱날을 분리하십시오 → 페이지 223.
2. 캐리어 플레이트의 볼트를 푸십시오.
3. 손상된 캐리어 플레이트를 밴드쏘에서 분리한 후 밴드쏘 캐리어 플레이트를 폐기하십시오.
4. 새 캐리어 플레이트를 밴드쏘에 끼우십시오.
5. 캐리어 플레이트의 볼트를 2 ~ 3 NM으로 조이십시오.
6. 밴드쏘 톱날을 다시 장착하십시오. → 페이지 223





## 8 충전식 공구 및 배터리 운반 및 보관

### 운반

#### 주의

운반 시 돌발적으로 작동됨!

- ▶ 제품은 항상 배터리를 장착하지 않은 상태로 운반하십시오!
- ▶ 배터리를 분리하십시오.
- ▶ 배터리를 고정하지 않은 채로 운반해서는 절대 안 됩니다. 운반하는 도중 배터리에 과도한 충격을 받거나 진동이 발생하지 않게 하고 모든 전도성 소재 또는 다른 배터리로부터 분리시켜 다른 배터리 전극에 닿지 않고 단락이 발생하지 않게 하십시오. 배터리와 관련된 현지 운반 규정에 유의하십시오.
- ▶ 배터리는 우편을 통해 전달할 수 없습니다. 손상이 없는 배터리를 전송하고자 하는 경우 배송업체에 문의하십시오.
- ▶ 제품 및 배터리를 사용하기 전에 그리고 장시간 운반한 후에는 항상 손상 여부를 점검하십시오.

### 보관

#### 경고

배터리 결함 또는 방전으로 인한 돌발적인 손상!

- ▶ 제품은 항상 배터리를 장착하지 않은 상태로 보관하십시오!
- ▶ 제품 및 배터리를 냉각 및 건조시켜 보관하십시오. 기술자료에 제시된 허용 온도 한계값에 유의하십시오.
- ▶ 배터리를 충전기에 보관하지 마십시오. 충전 후에는 항상 배터리를 충전기에서 분리하십시오.
- ▶ 배터리는 절대 직사광선이 들어오는 곳, 열원 위 또는 유리 뒤쪽에 보관하지 마십시오.
- ▶ 제품 및 배터리는 건조한 상태로 어린이나 외부인의 손이 닿지 않는 곳에 보관하십시오.
- ▶ 제품 및 배터리를 사용하기 전에 그리고 장시간 보관한 후에는 항상 손상 여부를 점검하십시오.

## 9 문제 발생 시 도움말

장애 발생 시 항상 배터리 상태 표시기를 확인하십시오. 리튬이온 배터리 표시 단원을 참조하십시오.

본 도표에 제시되어 있지 않거나 스스로 해결할 수 없는 문제가 발생한 경우 Hilti 서비스 센터에 문의해 주십시오.

장애	예상되는 원인	해결책
제품이 전출력으로 작동되지 않음.	컨트롤 스위치가 완전히 눌러지지 않음.	▶ 컨트롤 스위치를 완전히 끝까지 누르십시오.
제품의 스위치가 켜지지 않음.	스위치 ON로크가 작동되지 않음.	▶ 스위치 ON로크를 누르십시오.
제품이 작동하지 않음.	밴드쓰 톱날이 걸림	▶ 밴드쓰 톱날이 제대로 장착되어 있는지 그리고/또는 손상되었는지 점검하십시오.
배터리의 LED에서 아무런 표시가 없음	배터리 결함	▶ Hilti 서비스 센터에 문의해 주십시오.

## 10 폐기

#### 경고

부적절한 폐기로 인한 부상 위험! 새어나오는 가스 또는 용액으로 인한 건강상의 위험.

- ▶ 손상된 배터리는 전달하지 마십시오!
- ▶ 비전도성 소재로 연결 단자를 막아 두어 단락이 발생하지 않게 하십시오.
- ▶ 배터리가 어린이의 손에 닿지 않도록 폐기하십시오.
- ▶ Hilti Store에서 배터리를 폐기하거나 또는 담당 폐기물 처리 업체에 문의하십시오.

Hilti 제품은 대부분 재사용이 가능한 소재로 제작되었습니다. 재활용을 위해 개별 부품을 분리하여 주십시오. Hilti는 대부분의 국가에서 재활용을 위해 노후기기를 수거해 갑니다. Hilti 고객 서비스 센터 또는 판매 담당자에게 문의하십시오.



- ▶ 전동 공구, 전자식 기기 및 배터리를 일반 가정 쓰레기로 폐기하지 마십시오!



## 11 제조회사 보증

- ▶ 보증 조건에 관한 질문사항은 현지 Hilti 파트너사에 문의하십시오.

## 12 기타 정보

작동법, 기술, 환경 및 재활용에 대한 세부 정보는 다음 링크에서 확인할 수 있습니다:  
[qr.hilti.com/manual/?id=2354065&id=2354067](http://qr.hilti.com/manual/?id=2354065&id=2354067)

해당 링크는 본 문서 끝에 QR 코드 형식으로도 제시되어 있습니다.

## 原始操作說明

### 1 關於操作說明的資訊

#### 1.1 關於此文件

- 初次使用前，請詳讀本操作說明。這是安全作業和使用無虞的先決條件。
- 請遵守本操作說明中與產品上的安全說明和警告。
- 操作說明應與產品一起保管，產品交予他人時務必連同本操作說明一併轉交。

僅適用於台灣

進口商: 喜利得股份有限公司

地址: 新北市板橋區

新站路16號24樓22041

電話: 0800-221-036

#### 1.2 已使用的符號解釋

##### 1.2.1 警告

警告您在操作或使用本產品時可能發生之危險。採用了以下標示文字：



**危險**

危險！

- ▶ 此標語警示會發生對人造成嚴重傷害甚至致死的危險情形。



**警告**

警告！

- ▶ 此標語警示會造成嚴重傷害甚至致死危險的潛在威脅。



**注意**

注意！

- ▶ 請小心會造成人員受傷或對設備及其他財產造成損害的潛在危險情況。

##### 1.2.2 操作說明中的符號

本操作說明中採用以下符號：



請遵照操作說明



使用操作說明與其他資訊



處理可回收的材料



不可將電子設備與電池當作家庭廢棄物處置



Hilti 鋰電池



Hilti 充電器



### 1.2.3 圖解中的符號

圖解中採用了以下符號：

	號碼對應操作說明的開始處的圖解。
3	編號代表圖解中的操作步驟順序，可能與內文中的步驟有所不同。
	概覽圖解中使用位置編號，方便您對應到產品概覽段落中的圖例編號。
	這些特色是為了讓您在操作本產品時可以注意某些重點。

## 1.3 產品專屬符號

### 1.3.1 產品上的符號

產品上會採用下列符號：

	直流電 (DC)
	旋轉方向箭頭
	本產品支援近距離無線通訊 (NFC) 技術，其相容於iOS及Android平台。
Li-Ion	鋰電池
	請勿以任何物品敲擊電池和將電池作為敲擊工具使用。
	避免電池掉落。不得使用曾遭受衝擊或因其他原因受損的電池。

## 1.4 產品資訊

產品是針對專業使用者設計，故僅經訓練、認可的人員可操作、維修與維護本產品。必須告知上述人員關於可能遭遇到的特殊危險。若因未經訓練人員操作錯誤或未依照其原本的用途操作，則本產品和它的輔助工具設備有可能會發生危險。

類型名稱和序號都標示於額定銘牌上。

- ▶ 在下方表格中填入序號。與Hilti維修中心或當地Hilti機關聯絡查詢產品相關事宜時，我們需要您提供產品詳細資訊。

#### 產品資訊

充電式帶鋸	SB 6-22
產品代別	01
序號	

## 1.5 符合聲明

基於製造商唯一的責任，本公司在此聲明本產品符合適用法規及標準。本文件結尾處有符合聲明之副本。技術文件已歸檔：

Hilti Entwicklungsgesellschaft mbH | Tool Certification | Hiltistrasse 6 | D-86916 Kaufering, Germany

## 2 安全性

### 2.1 一般電動機具安全警告

**警告** 請詳閱本電動機具提供的所有安全警告、指示、圖解和說明。未能遵守以下所有指示可能會造成電擊事故、火災和/或嚴重的傷害。

妥善保存所有警示及說明，以供將來參考。

注意事項中的「機具」係指使用電源（有線）或電池（無線）的電動機具。

**工作區域安全**

- ▶ 請保持工作區的清潔與採光充足。雜亂而昏暗的工作區會導致意外發生。



- ▶ 勿在容易發生爆炸的環境中使用機具，例如有可燃性液體、瓦斯或粉塵存在的環境。機具產生的火花可能會引燃塵埃或煙霧。
- ▶ 操作機具時，請與兒童及旁人保持距離。注意力不集中時容易發生失控的情形。

#### 電力安全

- ▶ 機具插頭與插座須能互相搭配。勿以任何方式改裝插頭。勿將任何變壓器插頭與與地面接觸（接地）的電動機具搭配使用。未經改裝的插頭以及能互相搭配的插座可減少發生電擊的危險。
- ▶ 避免讓身體接觸到如管線、散熱器、爐灶與冰箱等與土地或地表接觸之物品。如果您的身體接觸到地表或地面，將增加電擊的危險。
- ▶ 請勿將機具暴露在下雨或潮濕的環境中。若水氣進入機具中將增加觸電的危險。
- ▶ 勿濫用電纜線。勿以電纜線吊掛、拖拉機具或拔下機具插頭。電纜線應避開熱氣、油、銳利的邊緣或移動性零件。電纜線損壞或纏繞會增加發生電擊事故的危險。
- ▶ 於室外操作機具時，須使用適用於戶外的延長線。使用適合戶外使用的延長線可降低觸電的風險。
- ▶ 如果無法避免在潮濕的地點操作機具，請使用漏電斷路器（RCD）保護電源供應器。使用漏電斷路器（RCD）可降低電擊的風險。

#### 人員安全

- ▶ 操作機具時，請提高警覺，注意進行中的工作並善用常識。感到疲勞或受到藥物、酒精或治療的影響時勿使用機具。操作機具時稍不留神就可能造成嚴重的人員傷亡。
- ▶ 穿戴個人防護裝備。請隨時穿戴眼罩。適當使用防塵面罩、防滑鞋、安全帽及耳罩等安全防護配備可減少人員的傷害。
- ▶ 避免不經意的啟動。在接上電源或電池組、抬起或攜帶機具之前，務必確認開關處於關閉的位置。攜帶機具時，如果把手指放在開關上，或在開關開啟時，將機具插上插頭容易發生意外。
- ▶ 啟動機具前，應將所有調整鑰匙或扳手移開。將扳手或鑰匙留在機具的旋轉零件中可能會造成人員傷害。
- ▶ 勿將手伸出過遠。隨時站穩並維持平衡。這可讓您在意外情況發生時，對機具有較好的控制。
- ▶ 穿著適當服裝。請勿穿著寬鬆的衣服或佩戴珠寶。頭髮、衣服與手套應遠離移動性零件。移動性零件可能會夾到寬鬆的衣服、珠寶或長髮。
- ▶ 如果機具可連接吸塵裝置與集塵設備，請連接並適當使用這些設備。使用集塵裝置可降低與粉塵有關的危險。
- ▶ 請勿因頻繁而習慣使用機具便疏於遵守或忽略機具的安全規範。草率使用可能在轉眼間便造成嚴重的傷害。

#### 機具使用與保養

- ▶ 不可強制使用機具。依據用途使用正確的機具。根據設計的速率使用機具可更快速安全地完成工作。
- ▶ 若開關無法啟動或關閉電動工具時，請勿使用電動工具。任何無法以開關控制的機具都很危險且需要維修。
- ▶ 在進行任何調整、更換配件、或貯放電動機具前，請先將插頭拔離插座和 / 或將電池組自電動機具卸下（如可拆卸）。此預防安全措施可降低機具意外啟動的風險。
- ▶ 將閒置的機具貯放在兒童拿不到的地方，勿讓不熟悉或未詳閱本說明的人員操作本機具。機具在未經訓練的使用者手中是很危險的。
- ▶ 維護機具與配件。請檢查移動性零件有無偏移或黏合的情形、零件有無破損，以及任何會影響機具運轉的狀況。如果機具受損，請先維修後再使用。很多意外便是由維護不當的機具造成的。
- ▶ 保持切割機具的銳利與清潔。具銳利切割邊緣的切割機具如果得到適當的維護，便較不會發生黏合的現象，且較容易控制。
- ▶ 遵守本指示說明使用機具、配件和工具組等，並考量工作條件與待進行的工作。將機具用在原目的之外之用途可能會造成危險。
- ▶ 保持握把與其表面的乾燥、清潔且不要讓上面出現油漬。握把及其表面濕滑會在意外情況中造成機具無法安全掌控。

#### 電池機具的使用與保養

- ▶ 務必使用原廠指定的充電器進行充電。將適合特定類型電池的充電器使用在其他電池時，會有造成火災的危險。
- ▶ 務必使用機具特別指定的電池匣。使用其他的電池匣可能會造成受傷或火災。
- ▶ 電池匣未使用時，請將其遠離如迴紋針、錢幣、鑰匙、針、固定釘或其他會在電池兩極間形成連結的小型金屬物件。在電池兩極間建立短路可能會造成灼傷或火災。
- ▶ 若使用不當，可能有液體由電池流出；請避免接觸該液體。若不慎接觸，請以清水沖洗。如果不小心讓液體接觸到眼睛，請立即尋求醫療援助。從電池中滲出的液體，可能會導致過敏或灼傷。
- ▶ 請勿使用損壞或改裝過的電池組或機具。受損或改裝過的電池可能會無法正常運作而造成起火、爆炸或受傷的風險。
- ▶ 請勿將電池組或機具暴露在火源或極端的溫度環境中。暴露在火源或溫度超過130°C (265°F) 的環境下可能會造成爆炸。



- ▶ 請遵守充電操作說明且不要在說明所載的溫度範圍之外為電池組或機具充電。不當充電或在指定溫度範圍外充電均可能造成電池損壞並提高起火的風險。

### 維修服務

- ▶ 請將機具交給合格的維修人員進行維修，並使用相同的替代零件。這可確保維護機具安全。
- ▶ 請勿自行維修損壞的電池。損壞的電池僅可由製造商或授權的維修商進行維修。

## 2.2 帶鋸安全操作說明

- ▶ 在執行配件工具可能會接觸到隱藏線路之工作時，請以握住絕緣握把的方式手持機具。若與帶電線路接觸，機具的金屬零件也會通電，而造成觸電的情況。

## 2.3 其他安全指示

- ▶ 請保持雙手遠離切割區和鋸帶。將第二手握住裝有安全開關的把手。若以雙手握著電鋸，便不會在使用時被鋸片割傷。
- ▶ 僅在本產品和配件能正常運轉時使用。
- ▶ 勿嘗試以任何方式改裝產品或配件。
- ▶ 請先將本產品移至加工位置上，才將它啟動。
- ▶ 不可碰觸旋轉中零件 - 有受傷的危險！
- ▶ 請在提起和 / 或攜帶本產品時注意，鋒利的鋸帶可能造成割傷或物品損壞。
- ▶ 使用本產品時請配戴護目鏡、安全帽和耳罩。
- ▶ 更換切割碟片時，請穿戴防護手套。觸摸配件工具會造成割傷或灼傷。
- ▶ 研磨、切割和鑽孔時產生的粉塵可能含有危險的化學物質。例如：鉛或以鉛為基底的顏料；磚塊、混凝土和其他建材產品、天然石材和其他含矽酸鹽的產品；橡木、山毛櫸等特定木材以及化學處理的木材；石棉或含有石棉的物質。根據操作員工作時接觸的物質危險等級來決定操作員和其他人員暴露在該環境的程度。採取必要的措施，以將暴露相關條件維持在安全等級上，例如：使用吸塵系統或配戴合適的防護面罩。降低在該環境下的暴露程度的一般措施包括：
  - ▶ 工作區域保持良好通風
  - ▶ 避免長時間接觸粉塵
  - ▶ 清除臉部和身體上的粉塵
  - ▶ 穿著防護衣，用水和肥皂清洗裸露在外的身體部位
- ▶ 只有在鋸帶護蓋正確安裝時才可使用帶鋸，以避免受傷。
- ▶ 在縱向切割時，請一律使用擋塊或直邊引導件。這可更準確的切割並減少鋸片被夾住的情況。
- ▶ 請勿將工件物件放在手上或任何其他身體部位進行切割。使用結實的固定座固定工件。重要的是將工件適當地固定，以儘量降低身體接觸、鋸片卡住或失去控制的風險。
- ▶ 隨時以雙手抓住握把保持本產品穩定，並固定您的雙臂，以抵抗反作用力。
- ▶ 請保持握把的乾燥與清潔，不要讓上面出現油漬。
- ▶ 身體應位於鋸片的側面，但不可和鋸片呈一直線。發生反作用力時，鋸片可能會向您的身體彈起。
- ▶ 請您確保是否站穩，尤其在進行高架作業時。若突然鑿穿會影響您的平衡。
- ▶ 進行鑿穿作業時請您將工件兩邊固定。鑿穿的碎片可能掉落並造成人員受傷。
- ▶ 當鋸片發生黏合，或因任何原因需要中斷切割，請關閉電鋸並停在材料上保持不動，直到鋸片完全停止。電鋸正在切割時，切勿將電鋸移開工件或將電鋸往後拉，則可能產生反作用力。
- ▶ 要在工件中重新啟動電鋸時，請將鋸片放置到切口中央，且確認鋸齒沒有卡在材料中。
- ▶ 在牆上或其他盲蔽區域執行切割時，請格外小心。鋸片切入材料時可能會接觸到隱藏的異物，造成反作用力。
- ▶ 請經常休息，並活動您的手指以促進血液循環。長時間暴露在劇烈震動下會造成手指、手掌和手腕的血管或神經系統失調。
- ▶ 請勿直視本產品的光源（LED），並且勿將光束瞄準其他人的臉部。如此可預防量眩或眼睛受傷的危險。
- ▶ 在開始切割前，請您確保鋸帶已經正確安裝。錯誤安裝的鋸帶可能會夾住或產生反作用力。
- ▶ 掉落的工具和配件有導致受傷的危險。開始作業前，請確認電池和安裝的附件已確實固定。

### 電力安全

- ▶ 開始工作前，請先檢查工作區域是否有隱藏的電纜線、瓦斯管或水管。電線、天然氣管線或水管若損壞，本產品外側上的金屬零件可能導致觸電或爆炸。
- ▶ 切割管子前（例如在拆卸和安裝工作中），請確認管內已無任何液體並在必要情況將其排空。切割管子時，請將產品持於高於管子處作業。產品無法防止濕氣進入。

### 小心處理與使用電子機具

- ▶ 請您使用指定尺寸的鋸帶。
- ▶ 勿使用已鈍化或損壞的鋸帶。如此會導致鋸帶的磨擦力增加、夾住或產生反作用力。



- ▶ 請遵守製造商對鋸帶的處理和貯放說明。

## 2.4 小心處理和使用電池

- ▶ 請遵守下列安全操作和使用鋰電池的安全注意事項。若未遵守，可能造成皮膚不適、嚴重腐蝕、化學燙傷、起火和/或爆炸。
- ▶ 請使用狀態完好無損的電池。
- ▶ 請小心處理電池，以避免其受損以及防止會嚴重危及健康的液體流出！
- ▶ 電池嚴禁修改或改裝！
- ▶ 請勿拆解、擠壓或焚燒電池，且不可將電池置放在溫度超過80°C (176°F) 的環境中。
- ▶ 電池受過衝擊或其他損壞後，請勿使用或充電。請定期檢查電池是否有損壞的跡象。
- ▶ 請勿使用回收或維修過的電池。
- ▶ 請勿將電池或電池供電之機具作為鎚子使用。
- ▶ 請勿讓電池暴露在直接日曬、溫度過高、有火花或明火的環境中，否則可能導致爆炸。
- ▶ 請勿用手指、工具、珠寶或其他會導電的物品觸摸電池極柱，否則可能導致電池損壞、財物損失和人員受傷。
- ▶ 電池應避免淋雨、潮濕和水氣。水氣滲入會造成短路、觸電、燙傷、起火和爆炸。
- ▶ 請使用適用於該電池型號的充電器與電動工具。請詳閱並遵守相關操作說明書中的說明。
- ▶ 請勿在易爆炸環境中使用或存放電池。
- ▶ 若電池溫度過高無法觸摸，表示電池可能已經毀損。將電池放在清楚可見且沒有火災危險、遠離易燃材料的位置。讓電池冷卻。若一小時後電池溫度仍然過高無法觸摸，表示電池可能已經毀損。請洽詢Hilti維修中心或詳讀「Hilti鋰電池安全注意事項和使用」文件。

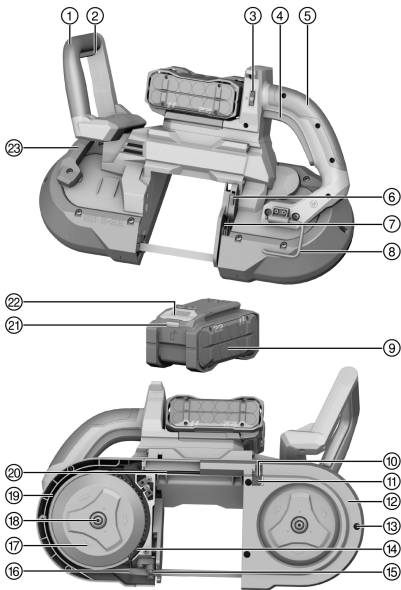


請遵守適用於運輸、存放和使用鋰離子電池的專用指令。→ 頁次 238

請透過本操作說明書末尾的條碼取得並詳讀Hilti鋰電池安全注意事項和使用。

## 3 說明

### 3.1 產品總覽



- ① 裝有安全開關的把手
- ② 安全開關
- ③ 轉速開關
- ④ 控制開關
- ⑤ 裝有控制開關的把手
- ⑥ 切割導環鎖定裝置
- ⑦ 切割導環
- ⑧ 支架掛鉤
- ⑨ 電池
- ⑩ 墊板
- ⑪ 墊板螺絲
- ⑫ 鋸帶護蓋
- ⑬ 鋸帶護蓋螺絲
- ⑭ 導引溝槽
- ⑮ 鋸帶導件
- ⑯ 鋸帶
- ⑰ 滾輪
- ⑱ 滾輪固定件
- ⑲ 橡膠環
- ⑳ 鋸帶溝槽
- ㉑ 電池狀態指示燈
- ㉒ 電池拆卸鈕
- ㉓ 鋸帶緊固扳棒

### 3.2 預期用途

此處所述產品為充電式帶鋸。它專為切割金屬材料和塑膠而設計。



本產品設計為雙手操作。

- 本產品限使用B 22Hilti Nuron系列鋰電池。為達最理想的效能，Hilti建議本產品使用本操作說明書末尾表格中所列的電池。
- 僅可使用本操作說明書末尾表格中所列的Hilti系列的電池充電器為電池充電。

### 3.3 配備及數量

帶鋸、操作說明書

關於本產品，您可於當地Hilti Store或網站查詢其他經過認證可搭配使用的系統產品：[www.hilti.group](http://www.hilti.group)

### 3.4 鋰電池的顯示幕

Hilti Nuron鋰電池會顯示電池的電力、錯誤訊息和狀態。

#### 3.4.1 電力和錯誤訊息的顯示



**警告**

有受傷的危險！因電池掉落

- ▶ 電池已插入時，請在按下拆卸鈕後確保電池重新正確地卡入所使用的產品中。

如欲獲得下列其中一個顯示畫面，請短按電池拆卸鈕。

只要已連接的產品已啟動，也會持續顯示充電狀態和可能的功能故障。

狀態	意義
四個 (4) LED持續亮綠燈	充電狀態：100 %至71 %
三個 (3) LED持續亮綠燈。	充電狀態：70 %至51 %
兩個 (2) LED持續亮綠燈。	充電狀態：50 %至26 %
一個 (1) LED持續亮綠燈。	充電狀態：25 %至10 %
一個 (1) LED緩慢閃綠燈。	充電狀態：< 10 %
一個 (1) LED快速閃綠燈。	鋰電池已完全沒電。裝入電池。 電池充電後若LED仍快速閃爍，請洽詢Hilti維修中心。
一個 (1) LED快速閃黃燈。	鋰電池或與之連接的產品過載、溫度太高、溫度太低或有其他故障情形。 請讓產品和電池維持在建議的操作溫度，並在使用時不要使產品過載。 若訊息持續存在，請洽詢Hilti維修中心。
一個 (1) LED亮黃燈	鋰電池和與其連接的產品不相容。請聯絡Hilti維修中心。
一個 (1) LED快速閃紅燈	鋰電池已鎖定，無法繼續使用。請聯絡Hilti維修中心。

#### 3.4.2 顯示電池狀態

如欲檢查電池狀態，請按住拆卸鈕3秒鐘以上。系統無法偵測到電池因掉落、刺穿、外部熱損傷等錯誤使用造成的潛在功能故障。

狀態	意義
所有LED以跑馬燈形式亮起，然後一個LED持續亮起綠色。	電池仍可繼續使用。
所有LED以跑馬燈形式亮起，然後一個LED快速閃爍黃色。	無法完成有關電池狀態的查詢。請重複上述程序或洽詢Hilti維修中心。
所有LED以跑馬燈形式亮起，然後一個LED持續亮起綠紅色。	若連接之產品仍可繼續使用，剩餘的電池容量會低於50%。 若連接之產品無法使用，表示電池已達最終使用壽命，應進行更換。請聯絡Hilti維修中心。





重量依據EPTA Procedure 01不含電池	6.5 kg
額定電壓	21.6 V
無負載下轉速	150 m/min
最大切割深度	127 mm
產品規格 (長度 x 寬度 x 高度)	525 mm x 175 mm x 375 mm
鋸帶尺寸 (長度 x 寬度 x 厚度)	1,140 mm x 12.4 mm x 0.5 mm
操作時的環境溫度	-17 °C ... 60 °C
貯放溫度	-20 °C ... 70 °C

### 4.1 電池

電池操作電壓	21.6 V
電池重量	請參閱本操作說明書結尾處
操作時的環境溫度	-17 °C ... 60 °C
貯放溫度	-20 °C ... 40 °C
電池充電啟動溫度	-10 °C ... 45 °C

### 4.2 噪音資訊和震動值 (依據EN 60745)

操作說明中所提供之音壓和震動值已參照標準測量，並可用來比較不同機具之噪音。它們也可作為噪音量的初步評估。提供之資料表示機具主要應用時之數值。若機具應用於不同之用途，搭配不同的配件工具或在保養不良的情況下，其數據會有所不同。在作業過程中，這會大幅提高其噪音量。當機具關閉，或開啟但未進行任何作業時也應列入考量，才能準確評估噪音量。在作業過程中，這會大幅降低其噪音量。確認其他安全措施，以保護操作員不受噪音和 / 或震動影響，例如：保養機具與其配件工具、操作前保持雙手溫暖、作業式之安排等。

#### 噪音資訊

聲功率級數 ( $L_{WA}$ )	86 dB(A)
無法判定的聲功率級數 ( $K_{WA}$ )	3 dB(A)
音壓級數 ( $L_{pA}$ )	75 dB(A)
無法判定的音壓級數 ( $K_{pA}$ )	3 dB(A)

#### 總振動值

切割金屬的振動排放值 (ah,CM)	B 22-55	0.8 m/s <sup>2</sup>
	B 22-255	0.7 m/s <sup>2</sup>
不確定值 (K)		1.5 m/s <sup>2</sup>

## 5 工作場所的準備工作

### 警告

有受傷的風險！因意外啟動

- ▶ 置入電池前，請確認產品已關閉。
- ▶ 在調整機具或變更配件前請先將電池拆下。

請遵守本文件中與產品上的安全說明和警告。

### 5.1 為電池充電

1. 電池充電前，請閱讀充電器的操作手冊。
2. 確認電池的接點和充電器的接點清潔且乾燥。
3. 請使用經認可的充電器對電池充電。→ 頁次 232





## 5.2 置入電池

### 警告

有受傷的危險 因短路或電池掉落！

- ▶ 置入電池前，請確認電池的接點及產品的接點上無任何異物。
  - ▶ 確認電池已確實咬合。
1. 初次使用前，請將電池完全充電。
  2. 將電池推入產品中，直到聽到卡入聲。
  3. 請檢查電池是否安裝牢固。

## 5.3 卸下電池

1. 按下電池拆卸鈕。
2. 將電池從產品卸下。

## 5.4 更換鋸帶

### 警告

因鋸帶造成的受傷危險。鋸帶可能發燙和 / 或有鋒利邊緣，並可能在某些情況下斷裂。

- ▶ 在作業和更換鋸帶時，請戴上防護手套和護目鏡。
- ▶ 只有在鋸帶護蓋正確安裝時才可使用帶鋸。
- ▶ 切勿將使用過的鋸帶放置在易燃的表面上。

### 注意

錯誤鋸帶造成的財物損失。錯誤的鋸帶可能會導致提早材質疲勞並損壞帶鋸。

- ▶ 請為帶鋸和材質選擇正確的鋸帶。
- ▶ 請為待切割的材質選擇正確齒距（每吋齒數）的鋸帶：為硬 / 薄材質選擇高齒距；為軟 / 厚材質選擇低齒距；
- ▶ 只選擇厚度為0.5 mm的鋸帶。較厚的鋸帶會造成較高的彎曲應力和較快的鋸齒磨損。
- ▶ 請選擇工件上至少可接觸兩個鋸齒的鋸帶。
- ▶ 僅可使用尺寸為1140 mm × 12.5 mm × 0.5 mm的鋸帶。

1. 鬆開兩個鋸帶護蓋的螺絲。
2. 取下兩個鋸帶護蓋。
3. 將緊固扳桿旋轉到底。
  - ▶ 鋸帶隨即鬆動。
4. 將鋸帶從導件中取出並將其回收處理。
5. 將新的鋸帶置入鋸帶導件中。
6. 將新的鋸帶繞住兩個滾輪。
7. 將新的鋸帶置入鋸帶導件溝槽中。
8. 檢查鋸帶是否位於正確位置。
9. 將緊固扳桿旋轉到底。
  - ▶ 鋸帶隨即張緊。
10. 將兩個鋸帶護蓋裝上。
11. 旋緊兩個鋸帶護蓋的螺絲。

## 5.5 防墜安全裝置

### 警告

受傷危險 因工具和/或配件掉落所致！

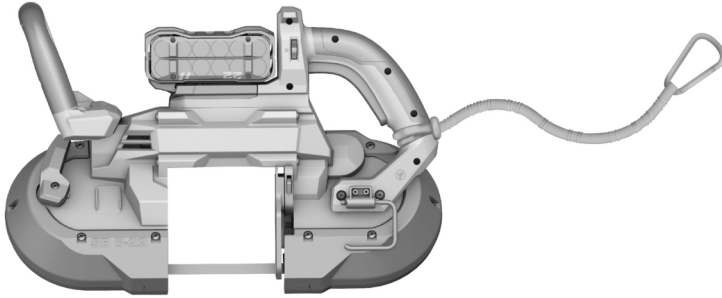
- ▶ 請您務必使用本公司建議與本產品搭配使用的Hilti工具繫繩吊環。
- ▶ 每次使用前，應要檢查工具繫繩吊環的固定點有無損壞跡象。



請您遵守各國的高處作業規範。



請僅使用Hilti工具繫繩吊環#2261971，作為本產品的防墜保護。



- ▶ 如圖所示，利用環圈將工具繫繩吊環固定在本產品上。檢查其是否確實牢固。
- ▶ 將彈簧鉤扣固定在具支撐功能的結構上。檢查彈簧鉤扣是否確實牢固。



請遵守Hilti工具繫繩吊環的操作說明書。

## 6 操作

請遵守本文件中與產品上的安全說明和警告。

### 6.1 調整切割導環

1. 按住切割導環上的鎖定裝置。
2. 將切割導環推至所需的高度。
3. 放開切割導環的鎖定裝置。

### 6.2 切割

#### 警告

有受傷的危險 因帶鋸的反作用力。

- ▶ 請在切割前固定工件，例如使用桌上型虎鉗。
- ▶ 將帶鋸與工件彼此對準。

#### 警告

有受傷的危險 因電鋸仍在運轉造成。

- ▶ 在機具完全停止前，請勿將產品從工件上舉起。
- ▶ 請等候產品完全停止再將其放下。

#### 警告

因鋸帶造成的受傷危險。鋸帶可能發燙和 / 或有鋒利邊緣，並可能在某些情況下斷裂。

- ▶ 在作業和更換鋸帶時，請戴上防護手套和護目鏡。
- ▶ 只有在鋸帶護蓋正確安裝時才可使用帶鋸。
- ▶ 切勿將使用過的鋸帶放置在易燃的表面上。



### 注意

錯誤鋸帶造成的財物損失。錯誤的鋸帶可能會導致提早材質疲勞並損壞帶鋸。

- ▶ 請為帶鋸和材質選擇正確的鋸帶。
- ▶ 請為待切割的材質選擇正確齒距（每吋齒數）的鋸帶：為硬 / 薄材質選擇高齒距；為軟 / 厚材質選擇低齒距；
- ▶ 只選擇厚度為0.5 mm的鋸帶。較厚的鋸帶會造成較高的彎曲應力和較快的鋸齒磨損。
- ▶ 請選擇工件上至少可接觸兩個鋸齒的鋸帶。
- ▶ 僅可使用尺寸為1140 mm × 12.5 mm × 0.5 mm的鋸帶。

定期檢查橡膠環是否損壞。

在每個工作程序後，請清除鋸帶護罩和切割導環上的灰塵和碎屑，以延長帶鋸的使用壽命。



為啟動帶鋸，您必須：先按下控制開關，然後安全開關，再將兩者同時按住。



帶鋸的自身重量即足以執行切割。無需對帶鋸施以額外的壓力。

1. 必要時更換橡膠環。→ 頁次 238
2. 必要時更換鋸帶。→ 頁次 235
3. 按住控制開關。
4. 按壓並按住安全開關。
5. 將帶鋸放到工件上時，儘量讓最多的鋸齒與工件接觸。
6. 進行切割作業。



操作帶鋸時，儘可能讓三個鋸齒留在切口內。

7. 鬆開控制開關。

## 7 維護及保養

### 警告

電池裝入時有受傷的危險！

- ▶ 進行維護及保養前，請務必卸下電池！

### 產品保養

- 小心地清除頑強的髒污。
- 若有，請使用乾燥的軟刷子小心地清潔通風口。
- 僅可使用微濕的軟布清潔機殼。請勿使用含矽膠的清潔或亮光劑，因為可能會造成塑膠零件損壞。
- 請使用乾淨的乾布清潔產品的接點。

### 鋰電池的保養

- 通風口堵塞時請勿使用電池。請使用乾燥的軟刷子小心地清潔通風口。
- 請避免電池暴露在粉塵或髒污的環境之中。請勿讓電池接觸過高的濕氣（例如：浸入水中或淋雨）。電池若濕透，請將該電池視為已受損。請將電池隔絕在不可燃的容器內，並洽詢Hilti維修中心。
- 避免電池沾上油脂。避免讓電池上積聚粉塵或髒污。請使用乾燥的軟刷或乾淨的乾布清潔電池。請勿使用含矽膠的清潔或亮光劑，因為可能會造成塑膠零件損壞。  
請勿觸摸電池的觸點或從觸點上去除出廠塗敷的油脂
- 僅可使用微濕的軟布清潔機殼。請勿使用含矽膠的清潔或亮光劑，因為可能會造成塑膠零件損壞。

### 維護


- 定期檢查外部零件和控制元件有無損壞跡象，並確認它們運作正常。
- 如果有損壞跡象及 / 或任何零件功能故障，請不要運行本產品。請將產品交付Hilti維修中心進行維修。
- 維護及修復作業後，裝上所有保護裝置並檢查功能是否正常。



為確保運作的安全及可靠性，請務必使用原廠Hilti備件與耗材。您可以在Hilti Store或在以下網站選購Hilti認可的備用零件、耗材和配件：[www.hilti.group](http://www.hilti.group)




## 7.1 更換鋸帶護蓋

 發現損壞時，請立即更換鋸帶護蓋。


1. 鬆開鋸帶護蓋的螺絲。
2. 將損壞的鋸帶取下並回收處理。
3. 將新的鋸帶護蓋裝至帶鋸上。
4. 以2至3 NM扭力旋緊鋸帶護蓋的螺絲。

## 7.2 更換橡膠環

 發現損壞時，請立即更換橡膠環。


1. 請拆卸鋸帶 → 頁次 235。
2. 取下橡膠環。
3. 確認導引溝槽無外物，並在必要時進行清潔。
4. 將新的橡膠環圈緊在鋸帶的滾輪上。
5. 持續對準橡膠環，直到它與導引溝槽完全密合。
6. 將鋸帶重新裝入。 → 頁次 235

## 7.3 更換鋸帶導件

 當發現損壞，例如如果鋸帶留下銹槽時，請立即更換鋸帶導件。

1. 請拆卸鋸帶 → 頁次 235。
2. 鬆開鋸帶導件的兩個螺絲。
3. 將損壞的鋸帶導件從帶鋸中取出，並將其回收處理。
4. 將新的鋸帶導件裝入帶鋸。
5. 以2至3 NM扭力旋緊鋸帶導件的兩個螺絲。
6. 將鋸帶重新裝入。 → 頁次 235

## 7.4 更換墊板

 當鋸帶發生磨削或卡住，請立即更換墊板。

1. 請拆卸鋸帶 → 頁次 235。
2. 鬆開墊板的螺絲。
3. 將損壞的墊板從帶鋸中取出，並將其回收處理。
4. 將新的墊板裝入帶鋸。
5. 以2至3 NM扭力旋緊墊板的螺絲。
6. 將鋸帶重新裝入。 → 頁次 235

## 8 充電式機具和電池的運輸與存放

### 搬運

 **注意**

搬運時意外啟動！

- ▶ 搬運產品時務必卸下電池！
- ▶ 取出電池。
- ▶ 切勿散裝運輸電池。運送過程中，應保護電池避免衝擊與震動並與導物質或其他電池隔離，以免因與電池端子接觸而造成短路。請遵守您所在地當地的電池運輸規範。
- ▶ 請勿以郵寄方式遞送電池。若要運送未損壞之電池，請洽詢運送服務商。



- ▶ 每次使用前以及長途運輸前後請檢查本產品和電池是否受損。

### 設備的貯放

#### 警告

瑕疵或漏液的電池所造成的意外損害！

- ▶ 存放產品時，一律不可插入電池！
- ▶ 請將本產品和電池存放在陰涼及乾燥處。請遵守技術性數據中所規定的溫度極限值。
- ▶ 請勿將電池貯放在充電器中。完成充電程序後，請將電池從充電器取出。
- ▶ 請勿將電池存放在有日光直射處、熱源上或玻璃後方。
- ▶ 請將本產品和電池存放在兒童或未授權人員無法觸及的地點。
- ▶ 每次使用前以及長時間存放前後請檢查本產品和電池是否受損。

## 9 故障排除

若出現任何故障，請注意充電電池的狀態指示器。請參閱**鋰電池指示器**章節。

若您遇到未列出的問題或是無法自行排除的問題，請聯絡**Hilti**維修中心。

故障	可能原因	解決方法
產品無法達到全功率。	未完全按下控制開關。	▶ 將控制開關完全按下。
產品無法開啟。	安全鎖未按下。	▶ 按下安全鎖。
產品無法啟動。	鋸帶卡住	▶ 檢查鋸帶是否已正確安裝和 / 或受損。
電池的LED未亮起	電池故障	▶ 聯絡 <b>Hilti</b> 維修中心。

## 10 廢棄設備處置

#### 警告

不當的廢棄物處理可能導致人員受傷！洩漏出來的氣體或液體有害健康。

- ▶ 請勿以郵寄方式寄送電池。
- ▶ 將電池端子蓋上不導電物質（例如絕緣膠帶）以避免短路。
- ▶ 請將電池棄置於兒童無法觸及的地方。
- ▶ 請將該電池送交**Hilti Store**處理或洽詢權責的廢棄處理公司。

**Hilti**產品所採用的材料大部分均可回收再利用。材料在回收前必須正確地分類。**Hilti**在許多國家都有提供老舊機具回收服務。請洽詢**Hilti**客服中心或您在地經銷商。



- ▶ 請勿將機具、電子設備或電池當作一般家用廢棄物處理！

## 11 製造商保固

- ▶ 如果您對於保固條件有任何問題，請聯絡當地**Hilti**代理商。

Hilti Taiwan Co., Ltd.

24F., No. 16, Xinzhan Rd., Banqiao Dist., New Taipei City 220, Taiwan (R.O.C.)

Tel. 0800-221-036

## 12 其他資訊

有關於操作、技術、環境和回收的更多資訊，請參考以下連結：

[qr.hilti.com/manual/?id=2354065&id=2354067](http://qr.hilti.com/manual/?id=2354065&id=2354067)

您也可在文件最後找到本連結的QR碼。



# 原版操作说明译文

## 1 关于本操作说明的信息

### 1.1 关于本操作说明

- 首次使用或操作产品前，先阅读本操作说明。这是安全、无故障操作和使用产品的先决条件。
- 请注意本操作说明中以及产品上的安全说明和警告。
- 请务必将本操作说明与本产品保存在一起，确保将操作说明随产品一起交给他人。

### 1.2 所用标志的说明

#### 1.2.1 警告

警告是为了提醒您在处理或使用此产品时会发生的危险。使用以下信号词：



**危险！**

- 用于让人们能够注意到会导致严重身体伤害或致命的迫近危险。



**警告！**

- 用于提醒人们注意可能导致严重或致命伤害的潜在危险。



**小心！**

- 用于提醒人们注意可能造成人身伤害、设备损坏或其他财产损失的潜在危险情况。

#### 1.2.2 操作说明中的符号

本操作说明中使用下列符号：

	遵守操作说明
	使用说明和其他有用信息
	处理可回收材料
	不得将电气设备和电池作为生活垃圾处置
	Hilti 锂离子电池
	Hilti 充电器

#### 1.2.3 图示中的符号

图示中使用了下列符号：

	这些编号指本操作说明开始处的相应图示。
	图示中的编号反映操作顺序，可能与文本中描述的步骤不同。
	位置编号被用于概览图中并表示产品概览段落中的图例编号。
	这些字符旨在提醒您特别注意操作本产品时的某些要点。

### 1.3 与产品相关的符号

#### 1.3.1 产品上的符号

产品使用的符号如下：



	直流电 (DC)
	箭头指示的旋转方向
	本产品支持近场通信 (NFC) 技术, 兼容 iOS 和安卓平台。
Li-Ion	锂离子电池
	切勿用物体击打电池, 也不得将电池用作敲击工具。
	请勿让电池掉落。切勿使用受到撞击或有任何损坏的电池。

#### 1.4 产品信息

**HILTI** 产品经设计适用于专业用户, 只有经过专门训练的授权人员才允许操作、维修和维护本产品。必须将任何可能的危险专门告知该人员。不按照既定用途使用或由未经培训的人员不正确地使用本产品及其辅助设备可能会带来危险。

型号名称和序列号印在铭牌上。

- ▶ 在下表中填写序列号。在联系 Hilti 维修中心或当地 Hilti 机构询问产品时, 将要求您提供产品的详细信息。

##### 产品信息

充电式带锯	SB 6-22
代次	01
序列号	

#### 1.5 符合性声明

制造商全权负责声明, 此处所述及的产品符合现行法规和标准。一致性声明副本位于本文档结尾处。

技术文档在此处归档:

Hilti Entwicklungsgesellschaft mbH | Tool Certification | Hiltistrasse 6 | D-86916 Kaufering, Germany

## 2 安全

### 2.1 一般电动工具安全警告

**⚠ 警告** 请阅读本电动工具随附的所有安全警告、说明、图示和技术规范。不遵守下列所有操作说明可能会导致电击、火灾和/或严重人身伤害。

请保存所有安全警告和操作说明, 以供将来参考。

在所有下列的警告中术语“电动工具”指市电驱动(有线)电动工具或电池驱动(无线)电动工具。

#### 工作区域安全

- ▶ 保持工作区域清洁和良好照明。杂乱和黑暗的区域容易导致事故。
- ▶ 不要在爆炸性环境中操作电动工具, 例如有易燃液体、气体或灰尘。电动工具会产生可以点燃这些灰尘或烟雾的火花。
- ▶ 在操作电动工具时, 要令儿童和旁观者远离工作现场。万一分心, 可能会使您失去对电动工具的控制。

#### 电气安全

- ▶ 电动工具(设备)插头必须匹配电源插座。切勿以任何方式改动插头。对于接地的电动工具(设备), 不要使用任何适配器插头。使用未经改动的插头和匹配的电源插座可以大大减少电击危险。
- ▶ 避免人体接触接地表面, 如管道、散热片和冰箱。如果您的身体接地, 则会增加电击危险。
- ▶ 不要将电动工具暴露在雨水或潮湿环境中。电动工具进水将会增加电击危险。
- ▶ 不要滥用电缆。切勿使用电缆运送、拉动或拔出电动工具。保持电缆远离高温、油、锋利边缘或运动部件。电缆损坏或缠绕会增加电击危险。
- ▶ 当在户外操作电动工具时, 应使用经认可适合户外操作的加长电缆。使用适合户外使用的电缆可减少电击危险。
- ▶ 如果在潮湿环境下操作电动工具是不可避免的, 应使用剩余电流动作保护器(RCD)。使用 RCD 可减小电击危险。



## 人身安全

- ▶ 保持警觉，注意您正在进行的工作，并在操作电动工具的过程中，应利用自己的判断能力。当您疲劳或受到药物、酒精或医疗影响时，请不要使用电动工具。当操作电动工具时，瞬间的分心都可能导致严重的人身伤害。
- ▶ 使用个人防护装备。一定要戴上护目装置。安全装置，诸如适当条件下使用防尘面具、防滑安全鞋、安全帽、听力防护等装置能减少人身伤害。
- ▶ 防止电动工具意外启动。在连接至电源和/或电池组、拿起或搬运电动工具之前，应确保开关处于“关闭”位置。将手指放在开关上搬运电动工具或在开关处于“打开”位置时接通电源，都可能会导致事故发生。
- ▶ 在打开电动工具之前，必须拿掉任何调整键或扳手。让扳手或调整键留在电动工具的旋转部件上可能会导致人身伤害。
- ▶ 不要操之过急。应时刻保持正确的站姿和平衡。这在意外情况下能够更好地控制电动工具。
- ▶ 应确保正确着装。不要穿着松垮的衣服或佩戴首饰。让头发和衣服远离运动部件。松垮的衣服、首饰或长发会卡在运动部件中。
- ▶ 如果提供有助于连接除尘和集尘设施的装置，应确保将它们连接好并正确使用。使用除尘装置可以减少与灰尘相关的危险。
- ▶ 经常使用工具能令您获得较高的熟练度，但不能因此掉以轻心和忽视工具安全准则。一次不慎操作就会在瞬间导致重伤。

## 电动工具的使用和维护

- ▶ 不要强制使用电动工具。针对您的应用场合使用正确的电动工具。正确的电动工具在其额定设计值范围内将能够更好和更安全地工作。
- ▶ 如果通过开关不能使其打开和关闭，则请不要使用电动工具。任何不能通过开关进行控制的电动工具都是危险的，必须对其进行修理。
- ▶ 在进行任何调整、更换配件或存放电动工具之前，应从电源上断开插头和/或从电动工具上拆下电池组（若可拆卸）。此预防性安全措施可减少意外启动电动工具的危险。
- ▶ 将不用的电动工具存放在儿童拿不到的地方，并且不要让不熟悉电动工具或其操作说明的人员操作电动工具。未经培训的用户操作电动工具是危险的。
- ▶ 维护电动工具和配件。检查是否存在运动部件失调或卡滞、部件断裂和任何其它影响电动工具操作的情况。如果存在损坏，则在使用之前应修理电动工具。许多事故都是由于电动工具维护不良造成的。
- ▶ 保持切削工具锋利和清洁。带锋利切削刃的切削工具如果维护得当，很少会发生卡滞且更容易控制。
- ▶ 按照使用说明书，考虑作业条件和进行的作业来使用电动工具、附件和工具的刀头等。将电动工具用于指定用途以外的场合会导致危险。
- ▶ 使手柄和抓握面保持干燥、清洁且没有油脂。如果手柄和抓握面打滑，将无法在意外情况下安全操作或控制本工具。

## 无绳（电池操作）工具/设备的使用和维护

- ▶ 充电时只能使用制造商指定的充电器。适合某种类型电池组的充电器如果被用于为另一类型电池组充电，则可能会带来火灾危险。
- ▶ 只能使用专用电池组为电动工具供电。使用任何其它电池组可能会带来人身伤害和火灾。
- ▶ 当电池组不用时，应使其远离其它金属物体，例如纸夹、硬币、钥匙、钉子、螺钉或其它小的金属物体，以免造成短路。如果电池端子被短路，则会造成人员烧伤或火灾。
- ▶ 如果持续滥用电池，则可能会造成液体从电池中喷射出来；注意避免接触到液体。如果意外接触到液体，应用水冲洗。如果液体接触眼睛，除了用大量清水冲洗外，还应立即就医。从电池中喷射出来的液体会导致疼痛或灼伤。
- ▶ 不要使用损坏或改装过的电池组或工具。损坏或改装过的电池会造成不可预测的情形，导致火灾、爆炸或受伤风险。
- ▶ 不要将电池组或工具暴露在明火或过高的温度中。暴露在明火或超过 130 °C (265 °F) 温度中可能导致爆炸。
- ▶ 遵守所有充电说明，且不要在使用说明规定的温度范围之外对电池组或工具充电。充电不正确或在规定温度范围之外充电会损坏电池并增加火灾风险。

## 保养

- ▶ 将您的电动工具送交专业维修人员，使用同样的备件进行修理。这样才可确保维持电动工具（设备）的安全性。
- ▶ 切勿擅自维修损坏的电池组。仅可由制造商或授权服务提供商执行电池组的维修。

## 2.2 带锯安全说明

- ▶ 如果配套工具的工作区域可能接触到隐藏的线束，只能握住电动工具的绝缘把手表面进行操作。如果触点由带电电缆制成，则本电动工具的金属部分也会带电，从而导致触电。





## 2.3 附加的安全说明

- ▶ 应保持双手远离切割区域和锯条。用双手握住带有安全开关的手柄。当双手握在锯上方时，则可保证在使用过程中不会被锯割伤。
- ▶ 只有产品和附件处于良好的技术状态时才能使用。
- ▶ 切勿以任何方式擅自改动或改装本产品或附件。
- ▶ 先将产品置于工作位置，然后才开机。
- ▶ 请勿触摸旋转部件 - 人身伤害危险！
- ▶ 提起和/或携带产品时要小心，锯条非常锋利，可能会导致切割伤害或财产损失。
- ▶ 使用该产品时，请佩戴护目镜、安全帽和护耳装置。
- ▶ 在更换配套工具时佩戴防护手套。触碰配套工具会导致割伤和烫伤。
- ▶ 磨削、抛光、切割和钻孔过程中产生的粉尘可能含有害化学物质。一些例子包括：铅或铅基涂料；砖、混凝土、其他砖石产品、天然石材和其他含硅酸盐的产品；一些木材，例如橡木、山毛榉和化学处理过的木材；石棉或含石棉的材料。根据所处理材料的危险等级，确定操作员和附近人员的暴露程度。采取必要的措施将暴露保持在安全水平内，例如使用集尘系统或佩戴适当的呼吸防护装置。减少暴露的一般措施包括：
  - ▶ 在通风良好的区域进行操作，
  - ▶ 避免长时间接触粉尘，
  - ▶ 清除脸部和身上的粉尘，
  - ▶ 穿着防护服并用肥皂和水清洗暴露的部位。
- ▶ 仅在正确安装锯条防护罩的情况下使用带锯，以避免伤害。
- ▶ 纵向切割时，请始终使用挡块或直边导轨。这可改善切割的精度，并降低粘锯的可能性。
- ▶ 切勿单手或用其他身体部位支撑工件。应将工件固定在坚固的支架上。重要的是牢牢固定住工件，以最大限度地减少身体接触，降低锯片卡住或失控的风险。
- ▶ 双手必须握紧本产品的专用把手，并调整好手臂的位置，以吸收反冲力。
- ▶ 保持把手干燥、清洁和没有油脂。
- ▶ 身体应站在锯条的一侧，切勿与锯条在一条线上。如果发生反冲，锯条可能会向后弹向您。
- ▶ 确保站稳脚跟，尤其是抬头作业时。突然的穿透操作会影响您的身体平衡。
- ▶ 穿透操作时请固定住工件的两侧。被钻下的工件部分可能会掉落，从而造成伤害。
- ▶ 如果锯条卡住，或出于任何原因中断操作时，请关闭锯条，使其在物料中保持不动，直至锯条完全停下来。当锯条运动时，切勿试图从工件中移走锯或向后拨动锯，否则锯条会发生反冲。
- ▶ 在工件中重新启动锯时，将锯条置于锯口中心，检查并确认锯齿未切入工件中。
- ▶ 当锯入墙壁或其它盲区时，应极其小心。因为锯进入物料时可能会碰到隐藏障碍，导致发生反冲。
- ▶ 适当休息并活动手指，以改善手指的血液循环。工作期间长时间暴露于强烈振动环境中可能导致手指、手掌和手腕部位血管和神经系统紊乱。
- ▶ 切勿直视本产品内集成的光源（LED），且不得将光束对准其他人的脸部。这会导致眩晕或使眼睛受到伤害。
- ▶ 开始锯切之前，请确保锯条已正确安装。错误安装的锯条可能会卡住，从而造成反冲。
- ▶ 工具和/或附件掉落会带来人身伤害的危险。开始工作前请检查电池和安装的附件是否已牢牢固定。

### 电气安全

- ▶ 开始工作之前，检查工作区域是否有隐蔽的电缆或天然气和水管。如果电缆、燃气管或水管有损坏，则产品的外部金属部件可能会导致电击或爆炸。
- ▶ 切割管道时（例如切断和安装作业时），请确保管道中不再装有液体，并在必要时排空。切割管道时，请握紧本产品，并将其置于锯割管道的上方。本产品无防水功能。

### 小心操作和使用电动工具

- ▶ 请仅使用指定直径的锯条。
- ▶ 不要使用不锋利/钝化或损坏的锯条。这会导致摩擦加剧并增加锯条卡滞和反冲的风险。
- ▶ 关于锯条的使用和存放，请遵照制造商的相关说明。

## 2.4 小心处理和使用电池

- ▶ 请遵守以下关于安全操作和使用锂离子电动工具电池的安全提示。若未能遵守，会导致皮肤刺激、严重的腐蚀伤、化学烫伤、火灾和/或爆炸。
- ▶ 只有电池处于良好的技术状态时才能使用。
- ▶ 请小心地处理电池，以防损坏电池和避免对健康极有害的液体泄漏！
- ▶ 严禁改装或篡改电池！
- ▶ 不要分解、挤压或焚烧电池，不要将其暴露在高于 80 °C (176 °F) 的温度条件下。
- ▶ 对于遭受过撞击或有其他损坏的电池，切勿使用或对其进行充电。定期检查电池是否有损坏的迹象。



- ▶ 切勿使用回收的或修理过的电池。
- ▶ 切勿将电池或电池供电的电动工具用作锤子。
- ▶ 切勿将电池暴露于直射的阳光下、高温、火花或明火中。可能会导致爆炸。
- ▶ 切勿用手指、工具、珠宝或其他导电物体接触电池极片。否则会损坏电池，造成财产损失和人身伤害。
- ▶ 确保电池远离雨水、潮气和液体。受潮会导致短路、漏电、燃烧、火灾或爆炸。
- ▶ 仅限使用经批准用于特定电池类型的充电器和电动工具。阅读并遵守相关操作说明中的规定。
- ▶ 不得在易爆环境中存放或使用电池。
- ▶ 如果电池发热烫手，则可能有故障。请将电池放在醒目且无火灾风险的地方，并与易燃物品保持足够距离。让电池自行冷却。如果一小时后电池仍然发热烫手，则表示存在故障。请联系 **Hilti** 维修中心或阅读文档“有关 **Hilti** 锂离子电池安全性和使用的提示”。

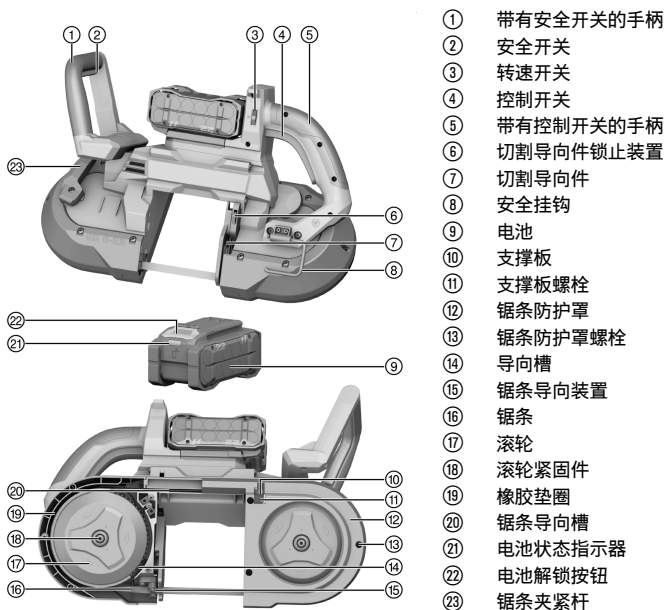


请遵守适用于锂离子电池运输、存储和使用的特殊准则。→ 页码 250

请通过扫描该操作说明末尾的二维码来阅读有关 **Hilti** 锂离子电池安全性和使用的提示。

### 3 说明

#### 3.1 产品概览



- ① 带有安全开关的手柄
- ② 安全开关
- ③ 转速开关
- ④ 控制开关
- ⑤ 带有控制开关的手柄
- ⑥ 切割导向件锁止装置
- ⑦ 切割导向件
- ⑧ 安全挂钩
- ⑨ 电池
- ⑩ 支撑板
- ⑪ 支撑板螺栓
- ⑫ 锯条防护罩
- ⑬ 锯条防护罩螺栓
- ⑭ 导向槽
- ⑮ 锯条导向装置
- ⑯ 锯条
- ⑰ 滚轮
- ⑱ 滚轮紧固件
- ⑲ 橡胶垫圈
- ⑳ 锯条导向槽
- ㉑ 电池状态指示器
- ㉒ 电池解锁按钮
- ㉓ 锯条夹紧杆

#### 3.2 合规使用

所述产品是一种充电式带锯。其设计用于锯割金属和塑料。

本产品设计为两手操作型。

- 本产品只能与 **Hilti** Nuron B 22 系列锂离子电池搭配使用。为确保最佳功率，**Hilti** 建议为本产品使用该操作说明末尾表格中给出的电池。
- 此类电池仅限使用该操作说明末尾表格所规定型号系列的 **Hilti** 充电器充电。

#### 3.3 供货范围

带锯，操作说明

经认证可配合本产品使用的其它系统产品，可以通过您当地的 **Hilti Store** 购买或通过以下网址订购：

[www.hilti.group](http://www.hilti.group)



### 3.4 锂离子电池指示灯

Hilti Nuron 锂离子电池可以显示电池的充电状态、出错信息和状态。

#### 3.4.1 充电状态和出错信息的显示



人身伤害的危险！电池掉落的危险！

- ▶ 在插入电池的情况下按下解锁按钮后，确保将电池重新正确锁定在所用的产品中。

请短暂按压电池的解锁按钮，以获得下列指示灯指示之一。

只要连接的产品已接通，便会持续显示充电状态和可能的故障。

状态	含义
四个 (4) LED 灯持续亮起绿光	充电状态：100 % 至 71 %
三个 (3) LED 灯持续亮起绿光	充电状态：70 % 至 51 %
两个 (2) LED 灯持续亮起绿光	充电状态：50 % 至 26 %
一个 (1) LED 灯持续亮起绿光	充电状态：25 % 至 10 %
一个 (1) LED 灯缓慢闪绿光	充电状态：< 10%
一个 (1) LED 灯快速闪绿光	锂离子电池电量耗尽。为电池充电。 如果在为电池充电后 LED 灯始终快速闪烁，请联系 Hilti 维修中心。
一个 (1) LED 灯快速闪黄光	锂离子电池或与其相连的产品过载、过热、过冷或存在其他故障。 使产品和电池达到建议的工作温度，并且在使用时不要使产品过载。 如果信息仍然存在，请联系 Hilti 维修中心。
一个 (1) LED 灯亮起黄光	锂离子电池和连接的产品不兼容。请联系 Hilti 维修中心。
一个 (1) LED 灯快速闪红光	锂离子电池被锁定且无法继续使用。请联系 Hilti 维修中心。

#### 3.4.2 电池状态的显示

如要检查电池状态，请按住解锁按钮三秒钟以上。系统未检测到由于掉落、刺穿、外部热损坏等错误使用而引起的电池潜在故障。

状态	含义
所有 LED 灯都作为运行灯亮起，接着有一个 (1) LED 灯持续亮绿光。	电池可以继续使用。
所有 LED 灯都作为运行灯亮起，接着有一个 (1) LED 灯快速闪黄光。	未能完成电池状态的查询。请重复该过程或联系 Hilti 维修中心。
所有 LED 灯都作为运行灯亮起，接着有一个 (1) LED 灯持续亮红光。	如果仍然可以继续使用所连接的产品，则电池剩余电量不足 50%。 如果无法再使用所连接的产品，则电池的使用寿命即将结束，应予以更换。请联系 Hilti 维修中心。

## 4 技术数据

符合 EPTA Procedure 01 要求的重量 (不包括电池)	6.5 kg
额定电压	21.6 V
空载转速	150 m/min
最大锯割深度	127 mm
产品尺寸 (长度 x 宽度 x 高度)	525 mm x 175 mm x 375 mm
锯条尺寸 (长度 x 长度 x 厚度)	1,140 mm x 12.4 mm x 0.5 mm
适合工作的环境温度	-17 °C ... 60 °C
存放温度	-20 °C ... 70 °C



#### 4.1 电池

电池工作电压	21.6 V
电池重量	参见操作说明结尾
适合工作的环境温度	-17 °C ... 60 °C
存放温度	-20 °C ... 40 °C
电池充电起始温度	-10 °C ... 45 °C

#### 4.2 噪音信息和振动值按照 EN 60745 标准

这些说明中给出的声压和振动值按照标准化测试的要求测得，可用于比较一种电动工具与另一种电动工具。它们还可用于初步评价受振动影响的程度。提供的数据代表本电动工具的主要应用。但是，如果将电动工具用于不同的应用、使用不同的配件工具或维护不良，则数据可能不同。这可能会显著增加操作者在整个工作期间受振动影响的程度。对受振动影响程度的准确估计还应考虑关闭电动工具或当它运行但实际未进行工作时的情况。这可能会显著减小操作者在整个工作期间受振动影响的程度。此外，应确定附加安全措施，以保护操作者免受噪音和/或振动影响，例如：正确维护电动工具和配套工具、保持双手温暖、合理安排工作方式。

##### 噪音信息

声 (功率) 级 ( $L_{WA}$ )	86 dB(A)
声音功率级的不确定性 ( $K_{WA}$ )	3 dB(A)
声压级 ( $L_{pA}$ )	75 dB(A)
声压级的不确定性 ( $K_{pA}$ )	3 dB(A)

##### 总振动值

在金属中锯割的振动排放值 (ah, CM)	B 22-55	0.8 m/s <sup>2</sup>
	B 22-255	0.7 m/s <sup>2</sup>
不确定度 (K)		1.5 m/s <sup>2</sup>

## 5 工作现场的准备工作

### -警告-

人身伤害的危险！意外启动的风险！

- ▶ 插入电池前，确保已关闭产品。
- ▶ 对电动工具执行任何调节或更换配件前，先取出电池。

请遵守本文档中以及产品上的安全说明和警告。

#### 5.1 给电池充电

1. 为电池充电之前，请阅读充电器的操作说明。
2. 确保电池和充电器上的触点均清洁、干燥。
3. 使用认可的充电器为电池充电。→ 页码 244

#### 5.2 插入电池

### -警告-

人身伤害的危险！短路或电池掉落会带来人身伤害的危险！

- ▶ 装入电池之前，确保电池和产品上的触点上均无异物。
- ▶ 确保电池接合正确。

1. 在首次使用电池之前，要给电池完全充电。
2. 将电池推入产品，直至听到卡止声。
3. 检查并确认电池已可靠就位。

#### 5.3 拆下电池

1. 按下电池释放按钮。
2. 从产品中取出电池。



## 5.4 更换锯条 2

### -警告-

锯条有造成人身伤害的危险。锯条可能会发烫和/或边缘很锋利，在某些情况下可能会断裂。

- ▶ 操作和更换锯条时佩戴防护手套和护目镜。
- ▶ 仅在正确安装锯条防护罩的情况下使用带锯。
- ▶ 切勿将用过的锯条放置在易燃表面上。

### 注意

错误的锯条会导致财产损失。错误的锯条会导致材料过早疲劳和带锯损坏。

- ▶ 为带锯和材料选择正确的锯条。
- ▶ 为要锯切的材料选择具有正确齿距（每英寸齿数）的锯条：用于硬/薄材料的齿距较大；用于软/厚材料的齿距较小。
- ▶ 仅使用 0.5 mm 厚的锯条。较厚的锯条会加大弯曲负荷，加快锯齿磨损。
- ▶ 选择至少有两个齿靠在工件上的锯条。
- ▶ 仅使用尺寸为 1140 mm × 12.5 mm × 0.5 mm 的锯条。

1. 松开两个锯条防护罩的螺栓。
2. 取下两个锯条防护罩。
3. 转动夹紧杆至限位。
  - ▶ 松开锯条。
4. 将旧的锯条从导向装置中取出，并进行废弃处理。
5. 将新的锯条放入锯条导向装置内。
6. 将新的锯条滑动到两个滚轮上。
7. 将新的锯条放入锯条导向槽内。
8. 检查锯条的位置是否正确。
9. 转动夹紧杆至限位。
  - ▶ 张紧锯条。
10. 安装两个锯条防护罩。
11. 将两个锯条防护罩的螺栓拧紧。

## 5.5 防坠落装置

### -警告-

人身伤害的危险会带来人身伤害的危险！

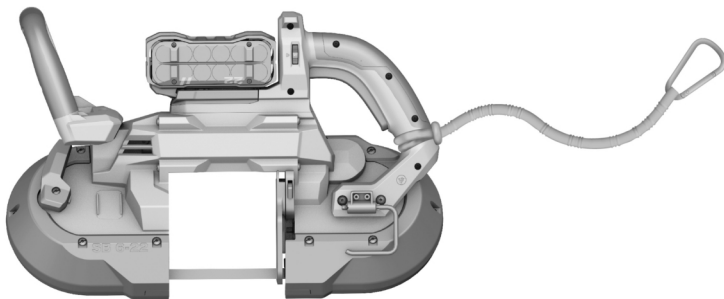
- ▶ 请只是为您的产品推荐的 Hilti 工具绳索。
- ▶ 在使用前请检查工具绳索的固定点有无损坏。



注意高空作业的国家法规。

仅使用 Hilti 工具挂绳 #2261971 作为本产品的防坠落保护装置。





- ▶ 如图所示，通过圆环将工具挂绳固定到产品上。检查是否已牢牢固定。
- ▶ 将弹簧钩固定到支撑结构上。检查弹簧钩是否已牢牢固定。

 请遵守 Hilti 工具挂绳的操作说明。

## 6 操作

请遵守本文档以及产品上的安全说明和警告。

### 6.1 调节切割导向件

1. 按压并按住切割导向件的锁止装置。
2. 将切割导向件移动至所需高度。
3. 释放切割导向件的锁止装置。

### 6.2 锯切

#### -警告-

**人身伤害的危险** 由于带锯的反冲。

- ▶ 开始锯切前，将工件固定在例如一个台钳内。
- ▶ 将带锯和工件互相对准。

#### -警告-

**人身伤害的危险** 继续运行的往复锯导致的危险。

- ▶ 在产品完全停止前，不得举起产品离开工件。
- ▶ 直至产品完全停止才可将其放下。

#### -警告-

**锯条有造成人身伤害的危险。** 锯条可能会发烫和/或边缘很锋利，在某些情况下可能会断裂。

- ▶ 操作和更换锯条时佩戴防护手套和护目镜。
- ▶ 仅在正确安装锯条防护罩的情况下使用带锯。
- ▶ 切勿将用过的锯条放置在易燃表面上。

#### 注意

**错误的锯条会导致财产损失。** 错误的锯条会导致材料过早疲劳和带锯损坏。

- ▶ 为带锯和材料选择正确的锯条。
- ▶ 为要锯切的材料选择具有正确齿距 (每英寸齿数) 的锯条：用于硬/薄材料的齿距较大；用于软/厚材料的齿距较小。
- ▶ 仅使用 0.5 mm 厚的锯条。较厚的锯条会加大弯曲负荷，加快锯齿磨损。
- ▶ 选择至少有两个齿靠在工件上的锯条。
- ▶ 仅使用尺寸为 1140 mm × 12.5 mm × 0.5 mm 的锯条。



定期检查橡胶垫圈有无损坏。  
每次操作过程后清除锯条防护罩和切割导向件上的灰尘和切屑，以延长带锯的使用寿命。



要启动带锯，必须：先按压控制开关，接着按压安全开关，并同时按住。



带锯的自身重量足以执行锯切。不要对带锯施加额外的压力。

1. 必要时更换橡胶垫圈。→ 页码 250
2. 必要时更换锯条。→ 页码 247
3. 按压并且按住控制开关。
4. 按下并按住安全开关。
5. 将带锯放在工件上，使尽可能多的锯齿靠在工件上。
6. 进行锯切操作。



引导带锯，尽量使切口中始终有 3 个锯齿。

7. 释放控制开关。

## 7 维护和保养



### -警告-

插入电池时存在人身伤害危险！

- ▶ 执行维护和保养任务之前，请务必先取出电池。

### 工具的保养

- 请小心去除顽固的污垢。
- 如果有污垢，请用干燥的软毛刷小心地清洁通风孔。
- 请仅使用微湿的抹布清洁外壳。不要使用含硅清洁剂，否则可能腐蚀塑料件。
- 请使用洁净干燥的抹布来清洁产品的接头。

### 锂离子电池的保养

- 切勿使用通风槽堵塞的电池。用干燥的软毛刷小心地清洁通风槽。
- 避免不必要地将电池暴露在粉尘或污垢中。切勿将电池暴露在高湿度的环境中（例如将其浸在水中或放在雨中）。  
如果电池浸湿，请如处理损坏的电池那样对其进行处理。将其隔离在不可燃的容器中，然后联系 Hilti 维修中心。
- 确保电池远离油和油脂。切勿让不必要的粉尘或脏污积聚在电池上。用干燥的软毛刷或干燥柔软的布清洁电池。不要使用含硅清洁剂，否则可能腐蚀塑料件。  
请勿触摸电池触点或从触点上去除出厂涂的油脂。
- 请仅使用微湿的抹布清洁外壳。不要使用含硅清洁剂，否则可能腐蚀塑料件。

### 维护

- 定期检查所有可见部件和控制器是否出现损坏迹象，确保其全部正常工作。
- 如果发现产品有损坏和/或有功能故障，请不要使用。立即将本产品交给 Hilti 维修中心修复。
- 清洁和维护之后，安装所有护板或保护装置并检查其功能是否正常。



为确保安全和可靠的操作，仅使用 Hilti 原装备件和耗材。经 Hilti 许可与产品搭配使用的备件、耗材和附件可到您当地的 **Hilti Store** 购买或访问：[www.hilti.group](http://www.hilti.group)

### 7.1 更换锯条防护罩



一旦发现损坏，请立即更换锯条防护罩。

1. 松开锯条防护罩的螺栓。
2. 取出损坏的锯条防护罩并进行废弃处理。



3. 将新的锯条防护罩装在带锯上。
4. 使用 2 至 3 NM 的扭矩将锯条防护罩的螺栓拧紧。

## 7.2 更换橡胶垫圈



一旦发现有损坏，请立即更换橡胶垫圈。

1. 拆卸锯条 → 页码 247。
2. 取下橡胶垫圈。
3. 检查并确认导向槽中无异物，必要时对其进行清洁。
4. 将新的橡胶垫圈张紧在锯条的滚轮上。
5. 对齐橡胶垫圈，直到它和导向槽完全闭合。
6. 将锯条再次装入 → 页码 247。

## 7.3 更换锯条导向装置



一旦发现有损坏，例如锯条留下了一个铣槽，请立即更换锯条导向装置。

1. 拆卸锯条 → 页码 247。
2. 松开锯条导向装置的两个螺栓。
3. 将损坏的锯条导向装置从带锯中取出，并对锯条导向装置进行废弃处理。
4. 将新的锯条导向装置装入带锯内。
5. 使用 2 至 3 NM 的扭矩将锯条导向装置的两个螺栓拧紧。
6. 将锯条再次装入 → 页码 247。

## 7.4 更换支撑板

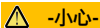


一旦锯条磨损或卡住，立即更换支撑板。

1. 拆卸锯条 → 页码 247。
2. 松开支撑板的螺栓。
3. 将损坏的支撑板从带锯中取出，并对支撑板进行废弃处理。
4. 将新的支撑板装入带锯内。
5. 使用 2 至 3 NM 的扭矩将支撑板的螺栓拧紧。
6. 将锯条再次装入 → 页码 247。

## 8 电池型工具和电池的运输及存储

### 运输



-小心-

#### 运输途中的意外启动！

- ▶ 运输产品前务必将电池取出！
- ▶ 取下电池。
- ▶ 切勿松散、未加保护地运输电池。在运输过程中，应保护电池免受过度冲击或振动影响，并将其与任何导电材料或其它电池分开（因为它们可能会接触到电池端子并导致短路）。**请遵守当地的电池运输规定。**
- ▶ 请勿以邮寄方式运送电池。有关如何运送完好电池的说明，请咨询您的发货商。
- ▶ 每次使用前以及长时间运输前后都要检查产品和电池是否损坏。

### 存放



-警告-

#### 故障或泄漏的电池会导致意外损坏！

- ▶ 仅可在未插入电池的情况下存放产品！
- ▶ 请将产品和电池存放于凉爽干燥的地方。请遵守技术数据中规定的温度极限值。





- ▶ 请勿将电池存放在充电器中。充电过程结束后请始终将电池从充电器中取出。
- ▶ 切勿将电池存放在阳光下、热源上或玻璃后。
- ▶ 请将本产品 and 电池存放在儿童或非授权人员无法接近的位置。
- ▶ 每次使用前以及长时间存放前后都要检查产品和电池是否损坏。

## 9 故障排除

出现任何故障时，都应注意电池的状态显示。参见锂离子电池指示灯一章。  
如果您碰到的问题未在此表中列出或您无法自行排除，请联系 Hilti 维修中心。

故障	可能原因	解决方案
本产品不能达到全功率。	没有完全按下控制开关。	▶ 完全按下控制开关。
无法启动本产品。	安全锁未按下。	▶ 按下安全锁。
产品不启动。	锯条卡止	▶ 检查锯条是否安装正确和/或损坏。
电池 LED 未亮起	电池损坏	▶ 联系 Hilti 维修中心。

## 10 废弃处置



**-警告-**

废弃处理不当会有人身伤害的危险！漏出的气体或液体会带来健康危害。

- ▶ 不得通过邮寄方式发送任何电池。
- ▶ 用非导电材料 (比如绝缘带) 包住端子，以防止短路。
- ▶ 在儿童接触不到的地方处置电池。
- ▶ 请将电池送交 **Hilti Store** 处置，或咨询当地的废弃处理机构以获取处置说明。

制造 Hilti 产品所用的大部分材料都可回收利用。在可以回收之前，必须正确分离材料。Hilti 在很多国家都提供旧工具回收服务。请咨询 Hilti 客户服务部门或您的销售顾问。



- ▶ 不得将电动工具、电子设备或电池作为生活垃圾处置！

## 11 制造商保修

- ▶ 如对保修条件有任何疑问，请联系您当地的 Hilti 代表。

## 12 更多信息

关于操作、技术、环保和回收的更多信息请查看以下链接：[qr.hilti.com/manual/?id=2354065&id=2354067](http://qr.hilti.com/manual/?id=2354065&id=2354067)  
文档末尾也提供二维码链接。





# EC Declaration of Conformity | UK Declaration of Conformity



**Manufacturer:**  
**Hilti Corporation**  
Feldkircherstraße 100  
9494 Schaan | Liechtenstein

**UK Importer:**  
**Hilti (Gt. Britain) Limited**  
No. 1 Circle Square, 3 Symphony Park  
Manchester, England, M1 7FS

**SB 6-22 (01)**

Serial Numbers: 1-9999999999

2006/42/EC | Supply of Machinery (Safety)  
Regulations 2008

EN 60745-1:2009 + A11:2010

EN 55014-1:2021

2014/30/EU | Electromagnetic Compatibility  
Regulations 2016

EN 60745-2-20:2009

EN 55014-2:2021

2011/65/EU | The Restriction of the Use of  
Certain Hazardous Substances in Electrical and  
Electronic Equipment Regulations 2012

**Dr. Tahar Zrilli**  
Head of Quality and Process Management  
Business Area Electric Tools & Accessories

Schaan, 12.08.2022

**Edward-Louis Przybylowicz**  
Head of BU Power Tool & Accessories  
Business Area Electric Tools & Accessories



** NURON**

<b>B 22-55 (01)</b>	0,56 kg	1.23 lb
<b>B 22-85 (01)</b>	0,77 kg	1.70 lb
<b>B 22-110 (01)</b>	0,92 kg	2.03 lb
<b>B 22-170 (01)</b>	1,34 kg	2.95 lb
<b>B 22-255 (01)</b>	1,87 kg	4.12 lb

<b>C 4-22</b>
<b>C 6-22</b>
<b>C 8-22</b>









Hilti Corporation  
LI-9494 Schaan  
Tel.:+423 234 21 11  
Fax:+423 234 29 65  
[www.hilti.group](http://www.hilti.group)



2354067